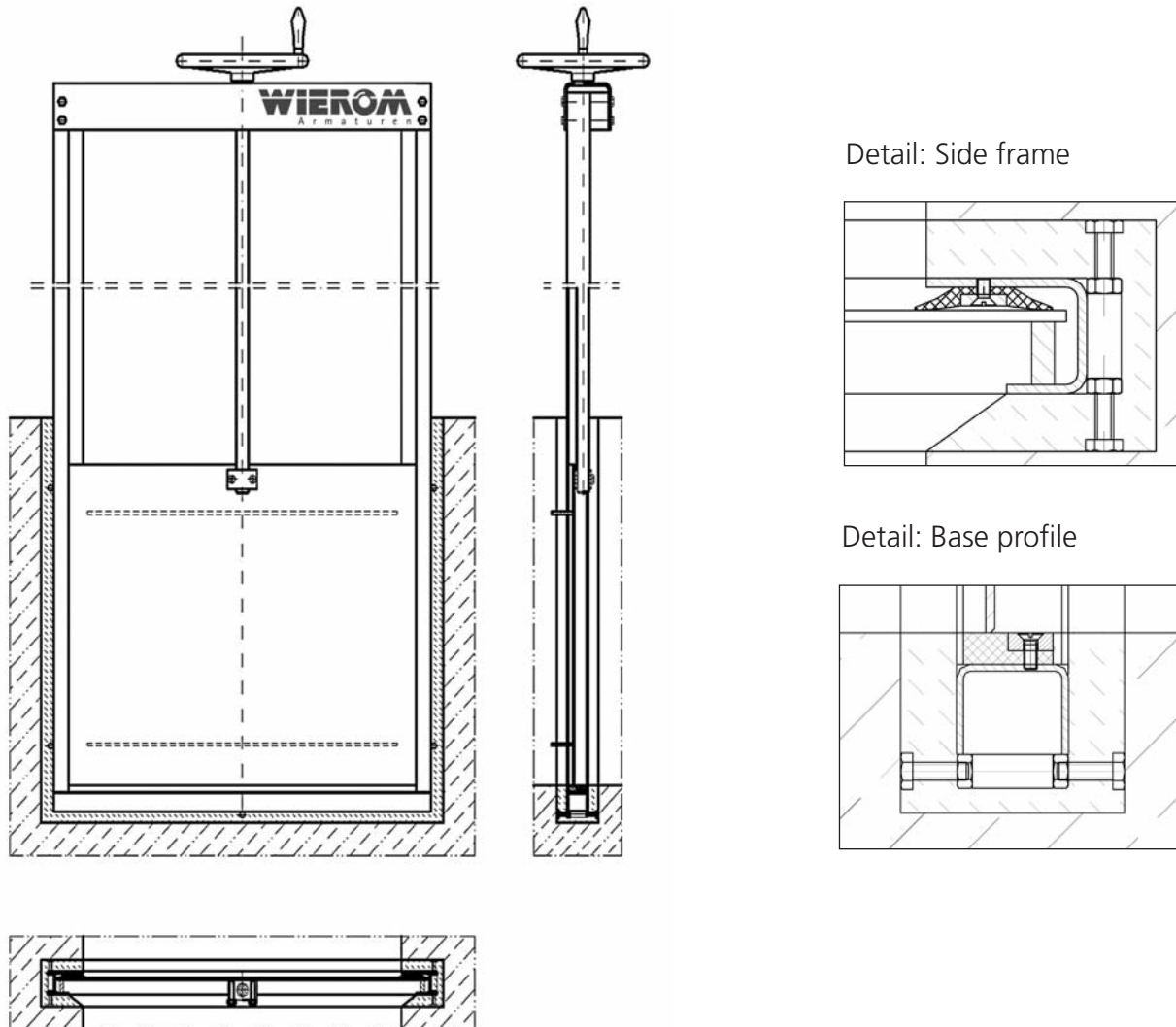


6. WIEROM Channel shutter – RIS

Described version: RIS 1 frame for setting in concrete



6.1 Application

Shut-off and control valve for open channels. **OPEN – SHUT and CONTROL – function.**
Water pressure can be exercised both on the front and the rear.

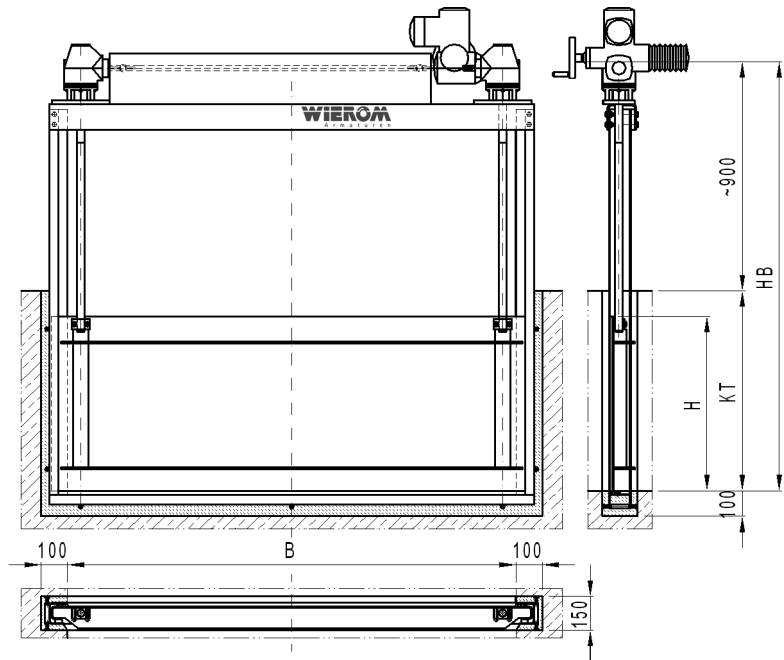
6.2 Design properties

Canted U-shaped profile frame. Three-sided, replaceable profile gasket inside the frame.
Shutter reinforced depending on water pressure. Seal pressing via sliding rails. Any pressure side possible, crevice-free base opening.
Actuation by trapezoidal thread spindle.

6.3 Rated widths

200 x 200 – 2,000 x 2,000 mm. **Larger dimensions available on request.**

Figure: Two-spindle channel shutter for large rated widths – RIS 2

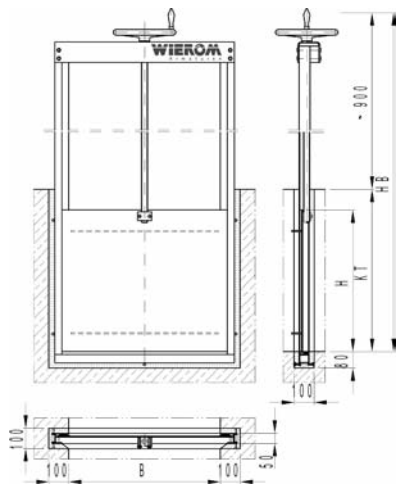


6.4 Drives

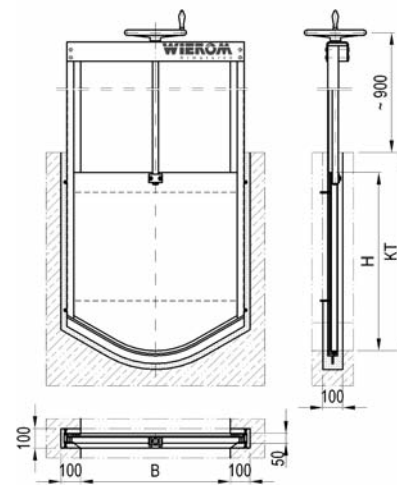
For drive selection, see chapter 15.3 – Crosshead drives – AT

6.5 Designs

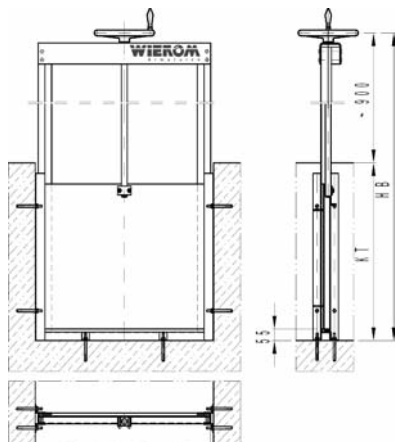
R1 – Frame for setting in concrete



R2 – Round base



R3 – Frame for anchor attachment inside the channel



R4 – Frame for anchor attachment in front of the channel outlet

