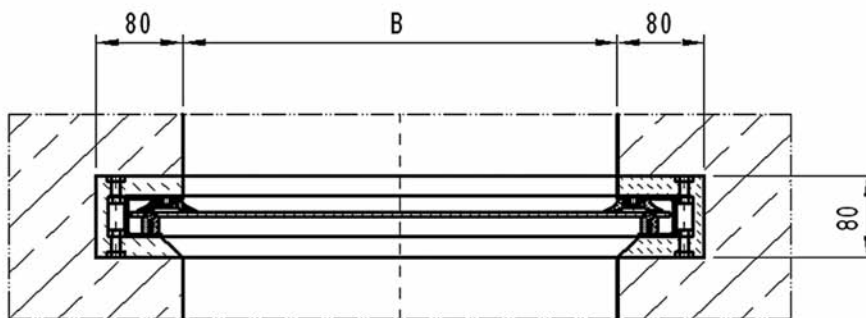
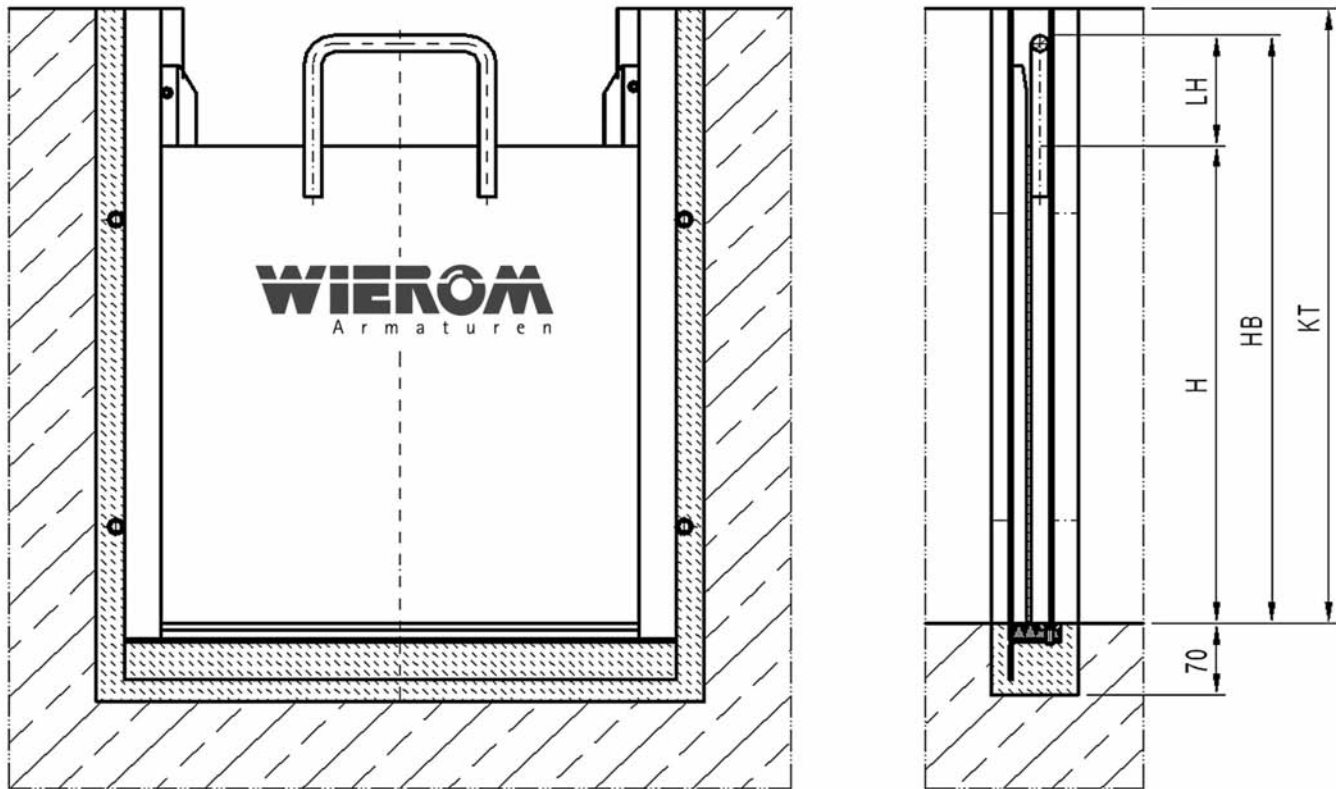


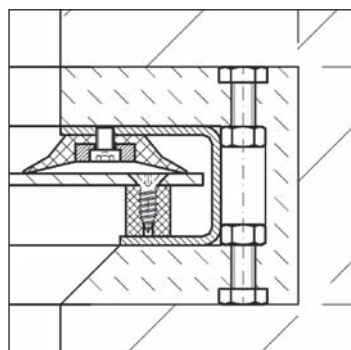
WIEROM Hand stop – STS

3. WIEROM Hand stop – STS

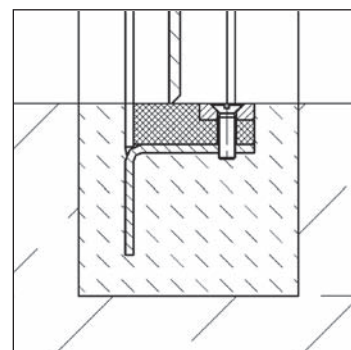
Described version: R1 hand stop with frame (for setting in concrete) and T1 shutter (standard)



Detail: Side frame



Detail: Base profile



3.1 Application

Simple shut-off device for small, open channels.

3.2 Design properties

Welded U-shaped profile frame with three-sided replaceable, wrap-around profile gasket.
1 hand grip, 100mm long. $w = 800$ mm, 2 hand grips. Any pressure side possible.
Crevice-free base opening.

3.3 Rated widths

200 x 200 – 1,000 x 1,000. **Larger dimensions available on request.**

3.4 Frame designs

R1 – Basic design

Frame with lateral clamping device for fastening inside an 80 x 80 mm wrap-around recess.
Subsequent casting with wear-resistant cast concrete.

R2 – Round base

Frame with a round base profile and lateral clamping devices for fastening inside a 80 x 80 mm wrap-around recess. Subsequent casting with wear-resistant cast concrete.

R3 – Frame for anchor attachment inside the channel

Frame with lateral angle brackets for anchor attachment inside a channel. The sealing between the frame and the construction is achieved by grouting the gap between the frame and the channel wall. Grouting must be performed on site. Please order fastening material separately.

R4 – Frame for anchor attachment in front of the channel outlet

Frame with lateral angle brackets for anchor attachment to a level concrete wall.
The sealing between the frame and the construction is provided by a one-sided self-adhesive cellular rubber seal (included in delivery). Please order fastening material separately.

R5 – Frame with locking screw

Two locking screws mounted on top of the frame make it possible to secure the shutter in its top position.

3.5 Shutter designs

T1 – Standard

Rectangular shutter with hand grip – LH = 100 mm

T2 – Shutter with triangular section used as a measuring weir

A triangular section is cut into the shutter to allow it to function as a measuring weir (made to customer specifications).

If requested, we can also equip the shutter with a scale.

T3 – Offset hand grip

To allow for enough clearance to any existing ceiling, the hand grip can be supplied as an offset version.

T4 – 2 hand grips

Shutters with $w = 800$ mm or greater come standard with 2 hand grips.

T5 – Elongated hand grip

Hand grip length LH = 100 mm or greater.