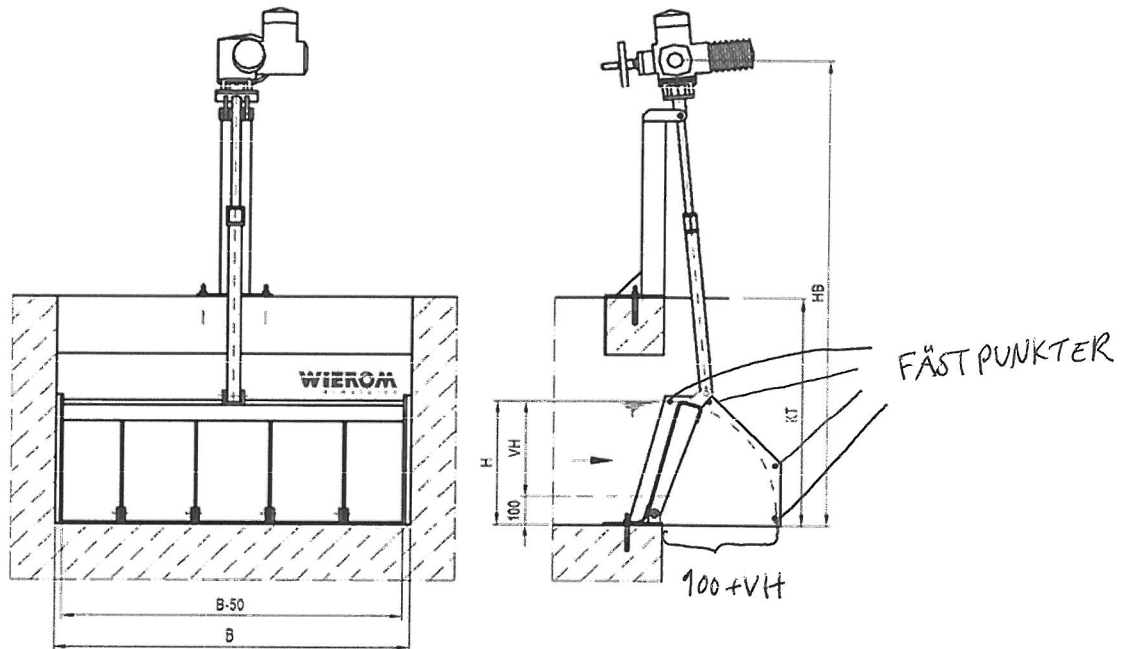


12. WIEROM Free overfall weir – ÜBW



12.1 Application

Water level adjustment in open, rectangular channels or openings.
Flow from the rear side.

12.2 Design properties

Frame designed as a welded construction for anchor attachment inside a channel or opening. Three-sided sealing provided by replaceable flat rubber. The sealing between the frame and the construction is provided at the base by a one-sided self-adhesive cellular rubber seal (included in delivery). The gap between the side wall and the construction is sealed on site after installation is complete.

Weir shutter designed as a rugged, canted, and infinitely adjustable construction.

Actuation by trapezoidal thread spindle.

Please order fastening material separately.

12.3 Rated widths

500 x 200 – 10,000 x 1,200 mm. **Larger dimensions available on request.**

12.4 Drives

For drive selection, see chapter 15.2 – Floor pedestal drive systems types AF 7 – AF 9