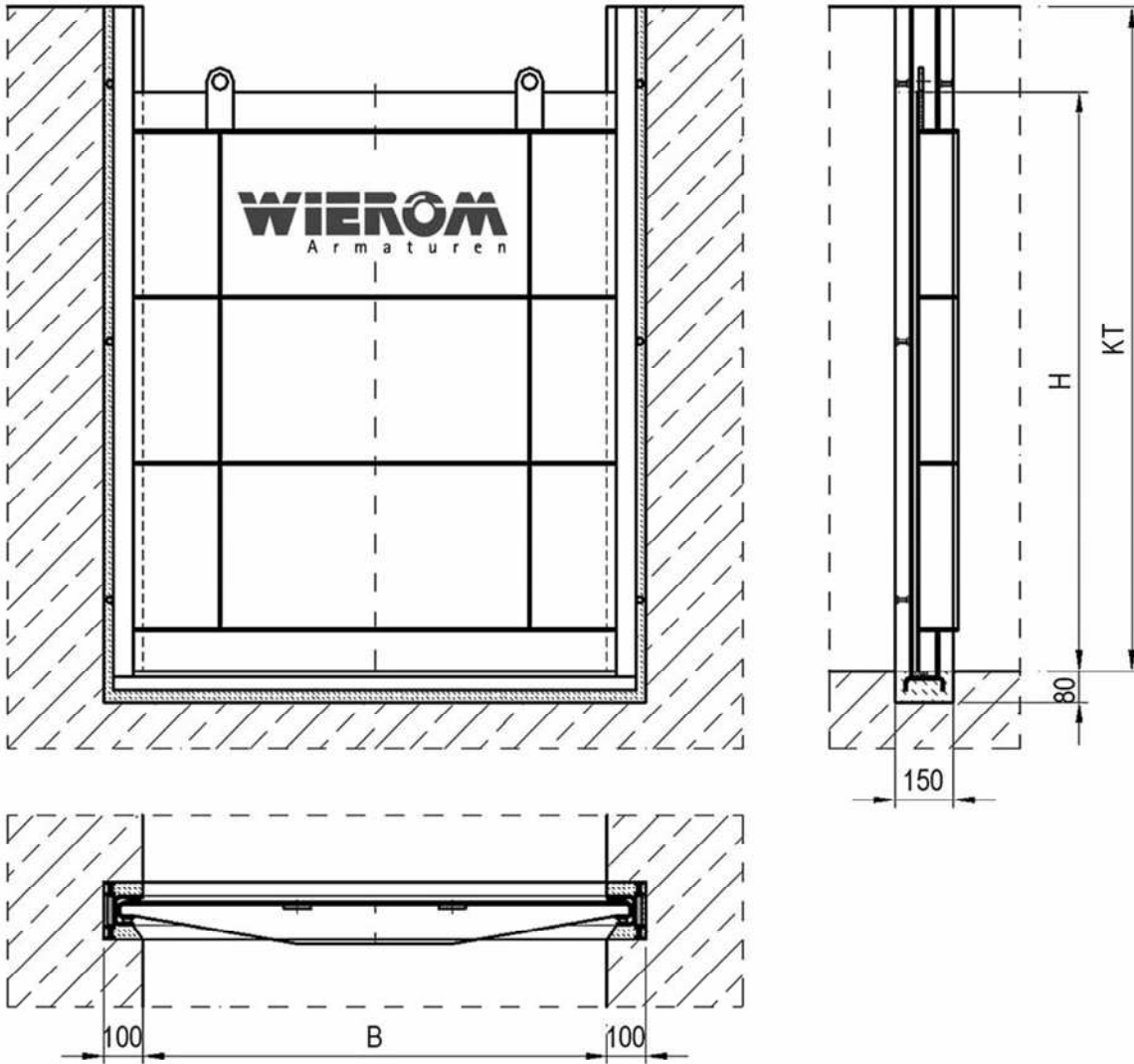
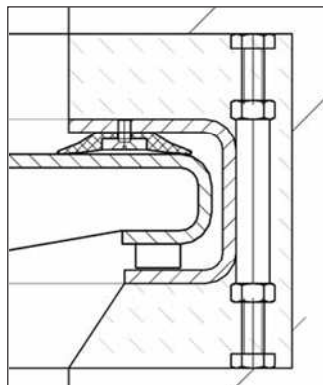


WIEROM Bulkhead gate – DAT

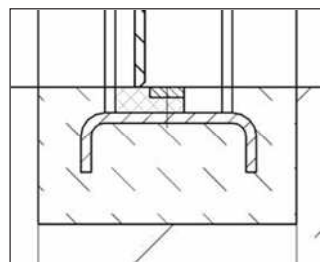
4. WIEROM Bulkhead gate – DAT



Detail: Side frame



Detail: Base profile



4.1 Application

Simple shut-off device for open channels.

4.2 Design properties

Welded U-shaped profile frame with three-sided replaceable, wrap-around profile gasket. Any pressure side possible. Crevice-free base opening.

4.3 Rated widths

1,000 x 1,000 – 3,000 x 3,000. **Larger dimensions available on request.**

4.4 Operation

Positioning and lifting out the shutters require a lifting device or crane.

4.5 Frame designs

R1 – Basic design

Frame with lateral clamping devices for fastening inside a wrap-around recess of approx. 150 x 100 mm. Subsequent casting with wear-resistant cast concrete.

R2 – Round base

Frame with a round base profile and lateral clamping devices for fastening inside a 150 x 80 mm wrap-around recess. Subsequent casting with wear-resistant cast concrete.

R3 – Frame for anchor attachment inside the channel

Frame with lateral angle brackets for anchor attachment inside a channel. The sealing between the frame and the construction is achieved by grouting the gap between the frame and the channel wall. Grouting must be performed on site. Please order fastening material separately.

R4 – Frame for anchor attachment in front of the channel outlet

Frame with lateral angle brackets for anchor attachment to a level concrete wall. The sealing between the frame and the construction is provided by a one-sided self-adhesive cellular rubber seal (included in delivery). Please order fastening material separately.

Other options available on request.