

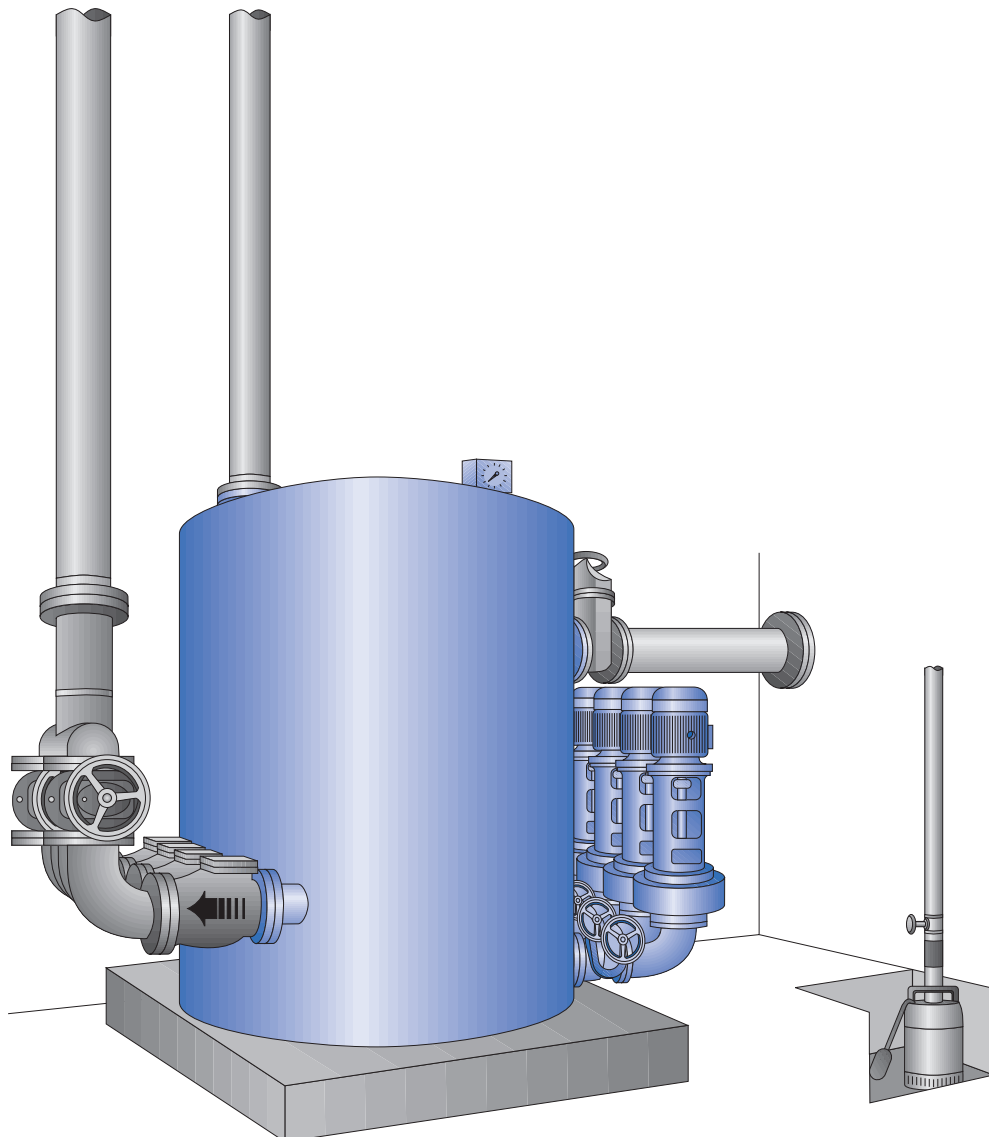
AWALIFT 9/4

The sewage pumping station with the STRATE system

Area of use:

- Draining towns with up to about 29,000 residents which cannot be drained using natural gradient or as an intermediate pumping station within the context of a pressure drainage system
- Residential and industrial areas
- Towns
- Communities
- Infrastructure facilities such as airports, industrial parks, subway systems etc.

up to
29000 PE



AWALIFT 9/4

Technical data

System capacity:	600 m ³ /h raw sewage, 2900 PE
Pumping head:	up to 40 mWS, AWALIFT 9/4x2 up to 80 mWS
Free passage:	200 mm
Tank dimensions:	Ø = 2800 mm x 3000 mm
Tank contents:	14,0 m ³
Space requirements:	6000 mm x 4600 mm
Weight:	approx. 4500 kg
Installation opening:	3200 mm x 3200 mm
Inlet height:	2300 mm
Inlet connection:	DN 400 PN 10
Pressure pipe connection:	DN 300 PN 10
Venting and air release:	DN 200 PN 10
Electrical connection:	According to requirement

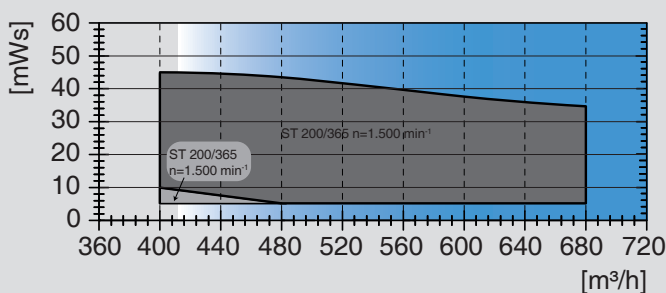
Materials

Tank:	S235JR (St37-2)
Pump:	EN-GJL-250 (GG 25)
Coating/corrosion protection:	2-component coating on epoxy resin basis, DB 601 green

Characteristic curve for pump

AWALIFT 9/4

Pumping heads up to 80 mWS are achieved by switching 2 pumps in series.



Other operating points on request.
Pumps which can be used ST 200/365.
The impellers are adapted to the specific operating point.

Subject to technical modifications and errors.

Scope of supply:

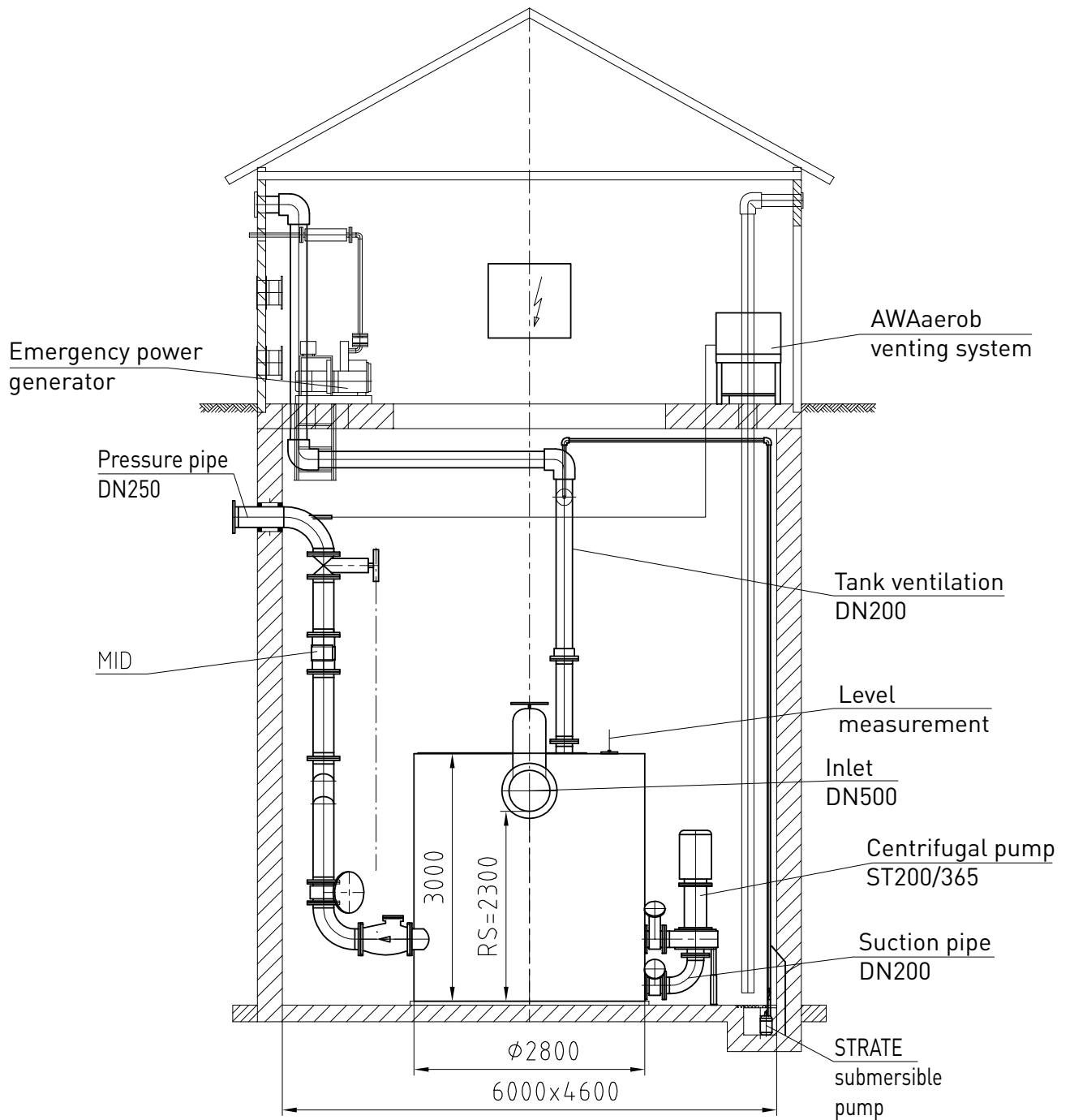
- One holding tank with four solids collecting chambers
- Four centrifugal pumps and motors according to type and operating location required
- Eight pump gate valves
- Four STRATE non-return valves
- One Y-pipe DN 300
- Four pressure pipe gate valves DN 300
- Level measurement

Accessories:

- Pump control
- Inlet gate valve DN 400
- Pipes incl. reducer and transition flanges within the building
- Pig trap
- Basement draining pump
- Alarm and monitoring systems, see control technology
- Inductive quantity measurement
- Emergency power generator
- STRATE venting systems
- STRATE AWALIFT shaft
- STRATE service building
- STRATE assembly and maintenance

Special accessories according to your requirements

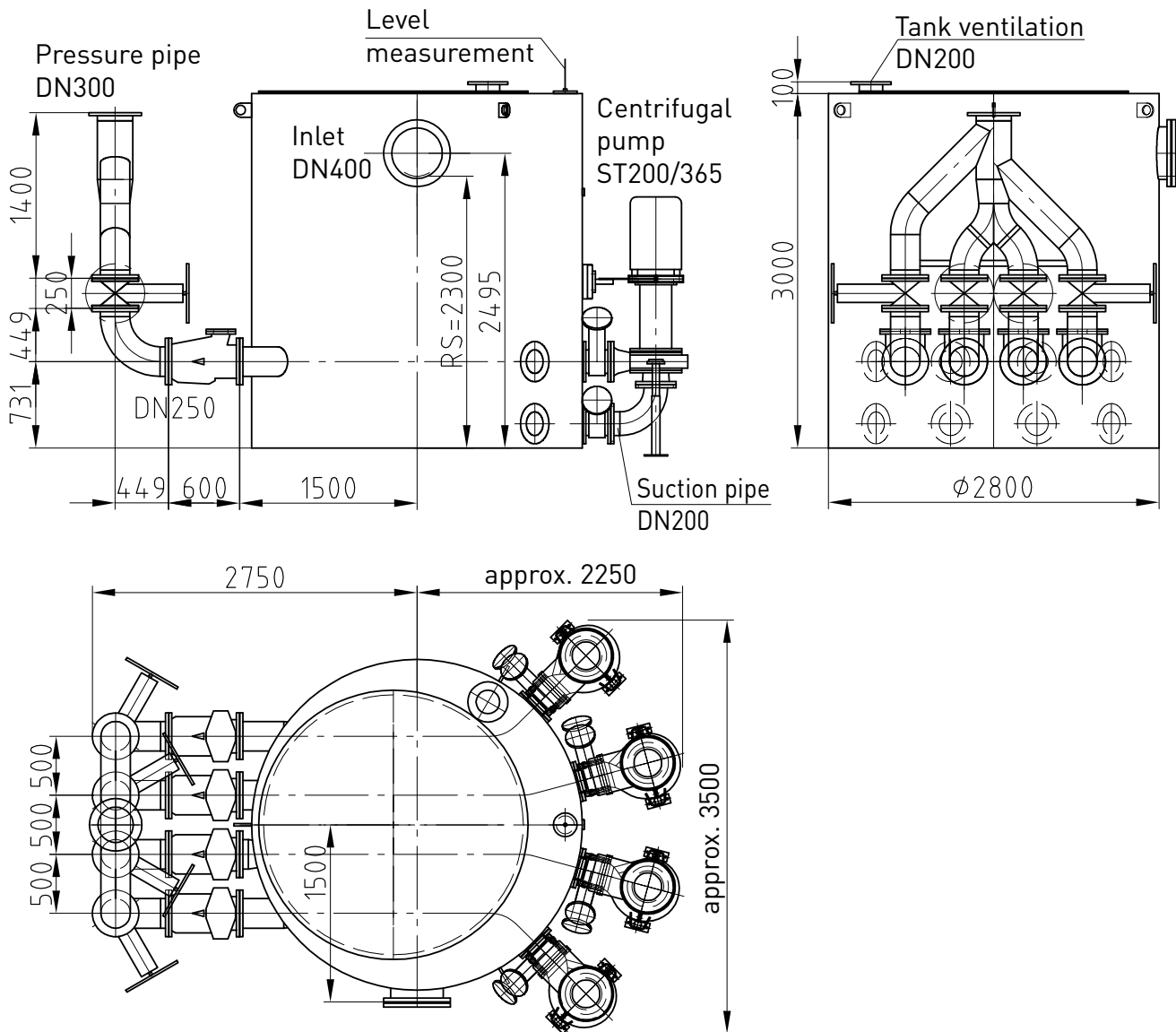
AWALIFT 9/4



Copyright according to DIN 34	Installation suggestion: AWALIFT 9/4
Scale:	

Subject to technical modifications and errors.

AWALIFT 9/4



Dimensional drawings are available from www.strate.com as dwg/dxf files.

Copyright according to DIN 34	Dimensional drawing: AWALIFT 9/4
Scale:	

Subject to technical modifications and errors.