

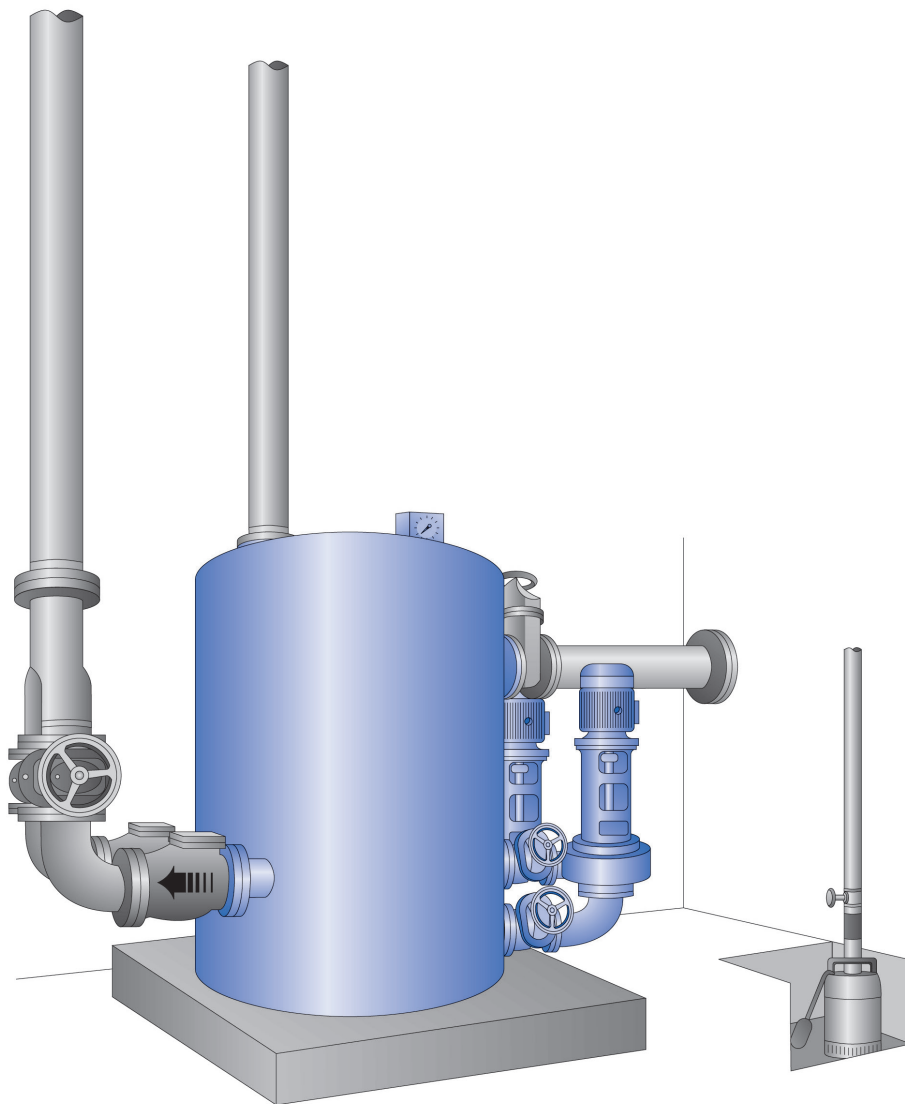
AWALIFT 4/2

The sewage pumping station with the STRATE system

Area of use:

- Draining towns with up to about 5600 residents which cannot be drained using natural gradient or as an intermediate pumping station within the context of a pressure drainage system
- Residential and industrial areas
- Towns
- Communities
- Infrastructure facilities such as airports, industrial parks, underground stations etc.

up to
5600 PE



AWALIFT 4/2

Technical data

System capacity:	120 m ³ /h raw sewage, 5600 PE
Pumping head:	up to 55 mWS, AWALIFT 4/2x2 up to 110 mWS
Free passage:	150 mm
Tank dimensions:	Ø = 1800 mm x 2000 mm
Tank contents:	4,0 m ³
Space requirements:	4500 mm x 3500 mm
Weight:	approx. 1500 kg
Installation opening:	2000 mm x 2000 mm
Inlet height:	1600 mm
Inlet connection:	DN 250 PN 10
Pressure pipe connection:	DN 150 PN 10
Venting and air release:	DN 100 PN 10
Electrical connection:	According to requirement

Materials

Tank:	S235JR (St37-2)
Pump:	EN-GJL-250 (GG 25)
Coating/corrosion protection:	2-component coating on epoxy resin basis, DB 601 green

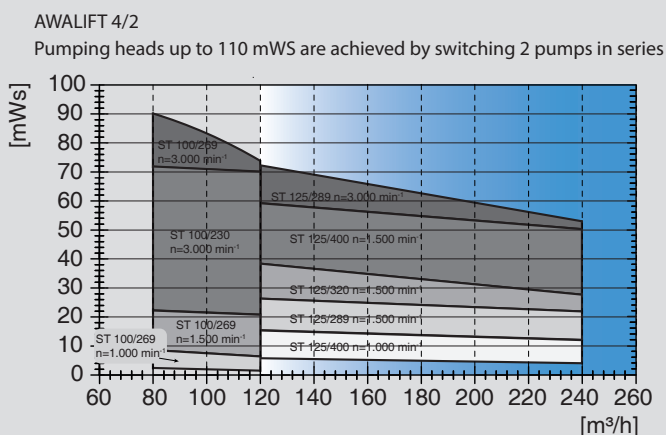
Scope of supply:

- One holding tank with two solids collecting chambers
- Two centrifugal pumps and motors according to type and operating location required
- Four pump gate valves
- Two STRATE non-return valves
- One Y-pipe DN 150
- Two pressure pipe gate valves DN 150
- Level measurement

Accessories:

- Pump control
 - Inlet gate valve DN 250
 - Pipes incl. reducer and transition flanges within the building
 - Pig trap
 - Basement draining pump
 - Alarm and monitoring systems, see control technology
 - Inductive quantity measurement
 - Emergency power generator
 - STRATE venting systems
 - STRATE AWALIFT shaft
 - STRATE service building
 - STRATE assembly and maintenance
- Special accessories according to your requirements

Characteristic curve for pump



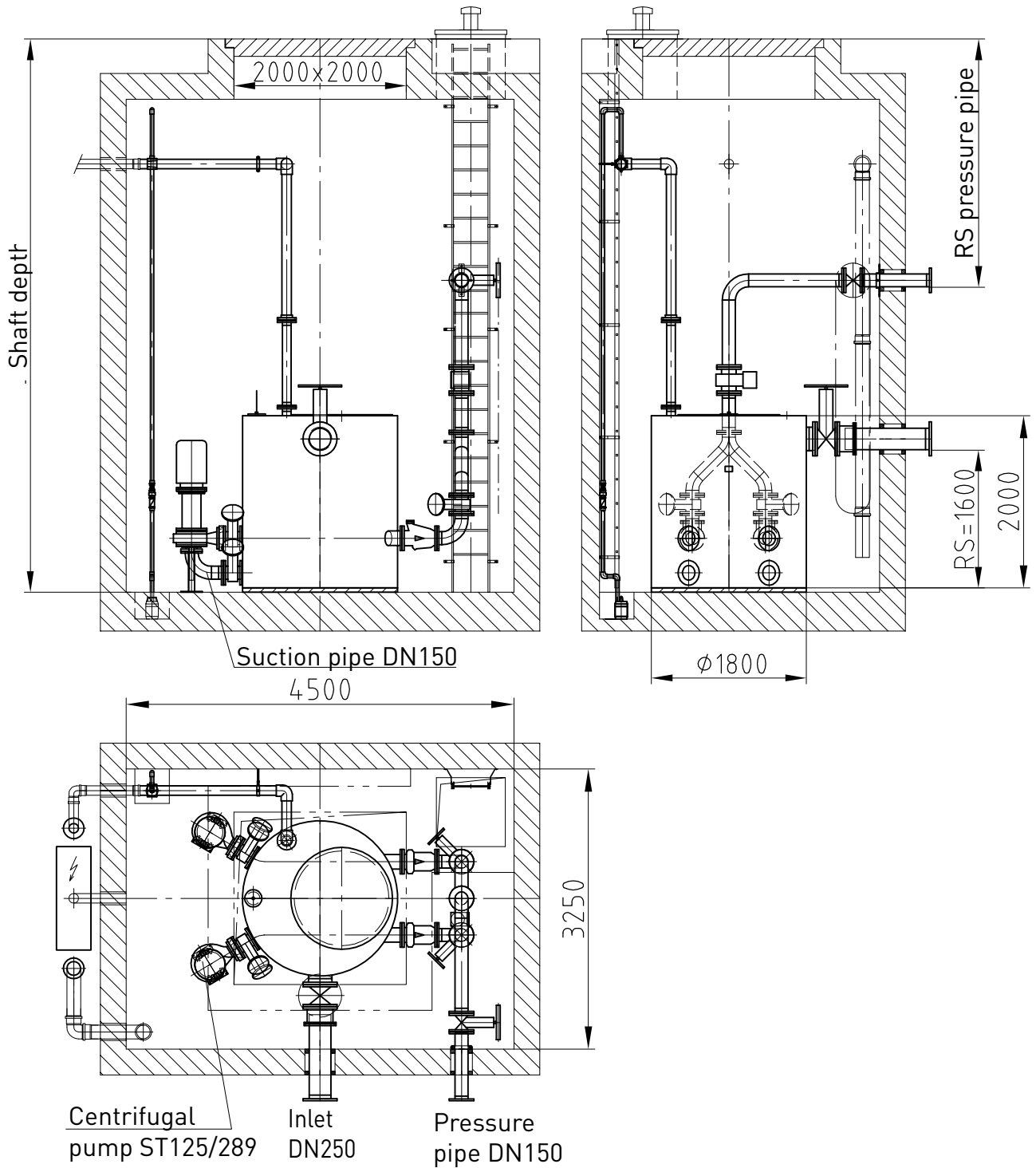
Other operating points on request.

Pumps which can be used
ST(M) 100/269,
ST 100/230,
ST(M) 125/320,
ST 125/289,
ST 125/400.

The impellers are adapted to the specific operating point.

Subject to technical modifications and errors.

AWALIFT 4/2



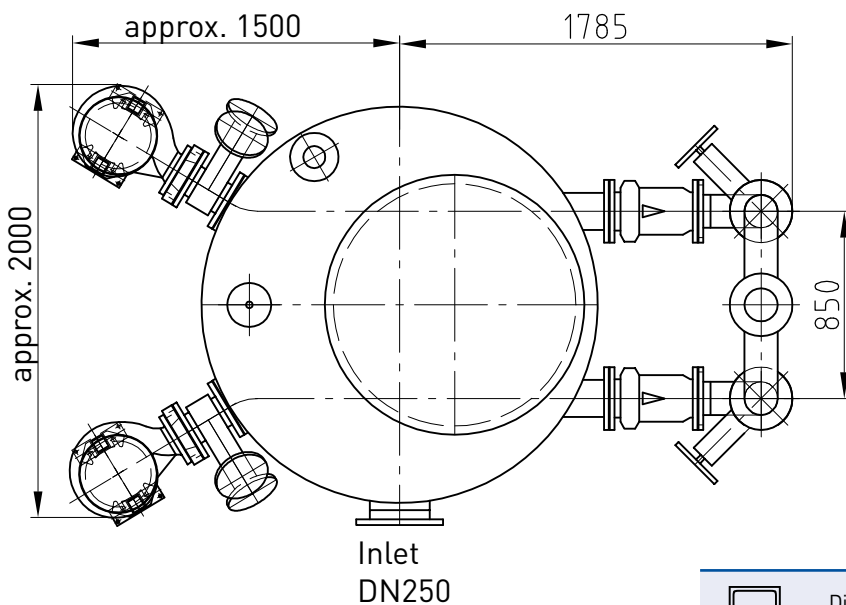
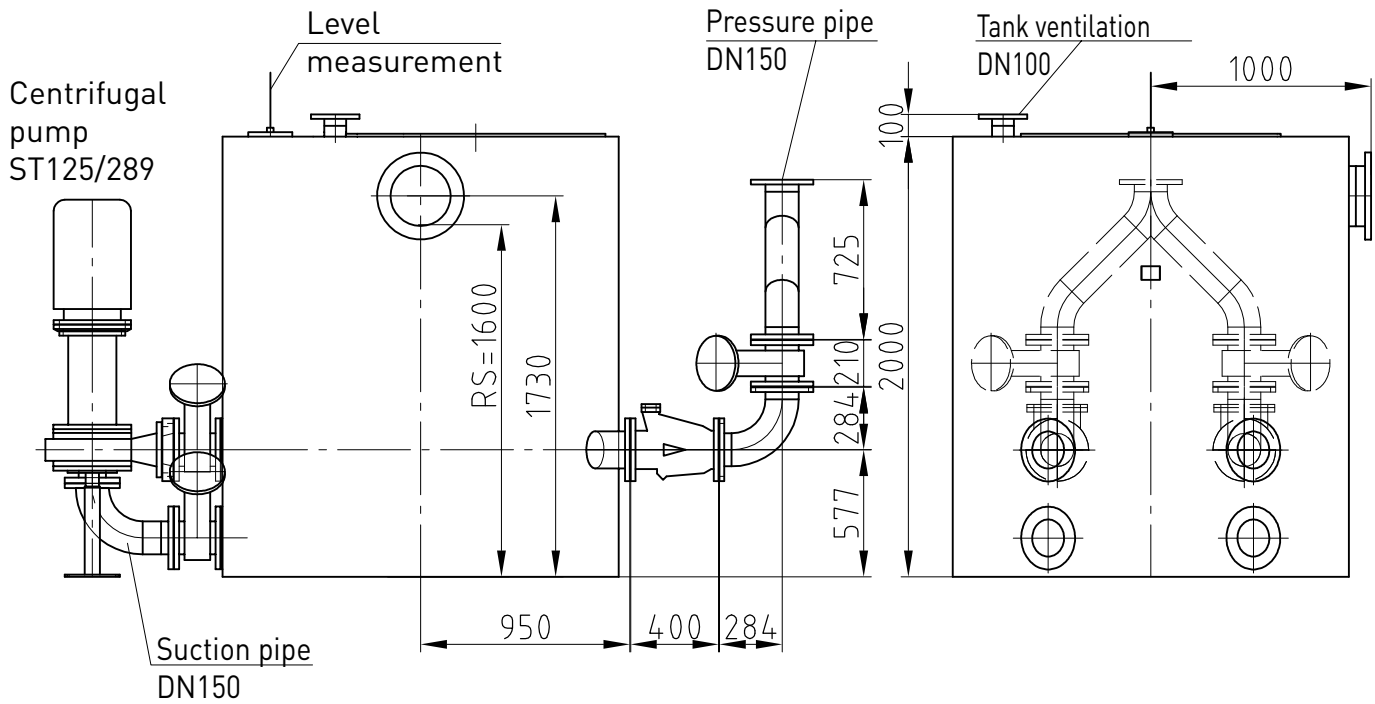
Copyright according to DIN 34

Scale:

Installation suggestion: AWALIFT 4/2
in the AWALIFTSCHACHT

Subject to technical modifications and errors.

AWALIFT 4/2



Dimensional drawings are available from www.strate.com as dwg/dxf files.

Copyright according to DIN 34	Dimensional drawing: AWALIFT 4/2
Scale:	

Subject to technical modifications and errors.