

# AWALIFT 74/2

## The sewage pumping station with the STRATE system

### Area of use:

- Multi-family homes
- Where the reserve pump has to guarantee fail-safe operation e.g. in restaurants and public buildings
- Facilities that cannot be drained using natural gradient
- As protection from backwater damage
- Infrastructure facilities such as airports, industrial parks, subway systems etc.

up to  
**200 PE**



# AWALIFT 74/2

## Technical data

<b>System capacity:</b>	4 m <sup>3</sup> /h - 200 PE
<b>Pumping head:</b>	up to 22 mWS
<b>Free passage:</b>	100 mm
<b>Tank dimensions (LxWxH):</b>	L = 860 mm, B = 660 mm, H = 380 mm
<b>Tank contents:</b>	107 l
<b>Space requirements:</b>	1500 mm x 1500 mm, oder Ø 1800 mm
<b>Weight:</b>	approx. 175 kg
<b>Installation opening:</b>	800 mm x 1000 mm
<b>Inlet height:</b>	400 mm (pipe bottom)
<b>Inlet connection:</b>	Flange DN 125 (optionally DN 150 PN, DN 200 PN 10)
<b>Pressure pipe connection:</b>	Flange DN 100 PN 10
<b>Venting and air release:</b>	DN 65 or DN 70

## Materials

<b>Tank:</b>	G-Al Si12 (Alu230)
<b>Pump:</b>	EN-GJL-250 (GG25)
<b>Coating / corrosion protection:</b>	Acrylic combination paint coating, RAL 6011 green
<b>Electrical connection:</b>	230/400V, 50 Hz, IP 67
<b>Motor capacity:</b>	IP 67 0,75 kW – 1500 min <sup>1</sup> IP 67 1,50 kW – 3000 min <sup>1</sup> IP 67 2,20 kW – 3000 min <sup>1</sup> IP 67 3,00 kW – 3000 min <sup>1</sup>

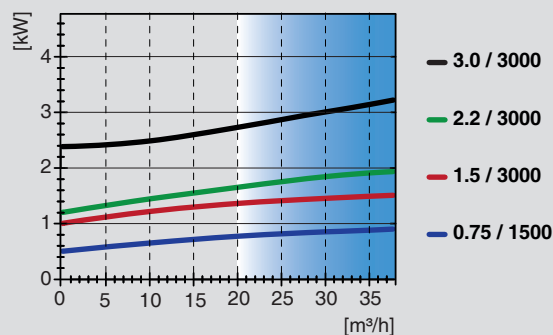
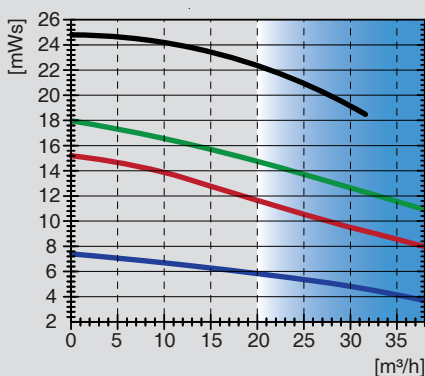
## Scope of supply:

- One tank with two solids collecting chambers
- Two centrifugal pumps and motors according to type and operating location required
- Two non-return valves AWASTOP DN 100 K
- Two pressure pipe gate valves DN 100
- Level measurement

## Accessories:

- Pump control
  - Inlet connector piece DN 125 (DN 150, DN 200)
  - Inlet gate valve DN 125 (DN 150, DN 200)
  - Pressure pipe connector piece DN 100
  - Manual diaphragm pump 1 1/2"
  - Basement draining pump
  - Alarm and monitoring systems, see control technology
  - STRATE AWALIFT shaft
  - STRATE service building
  - STRATE assembly and maintenance
- Special accessories according to your requirements

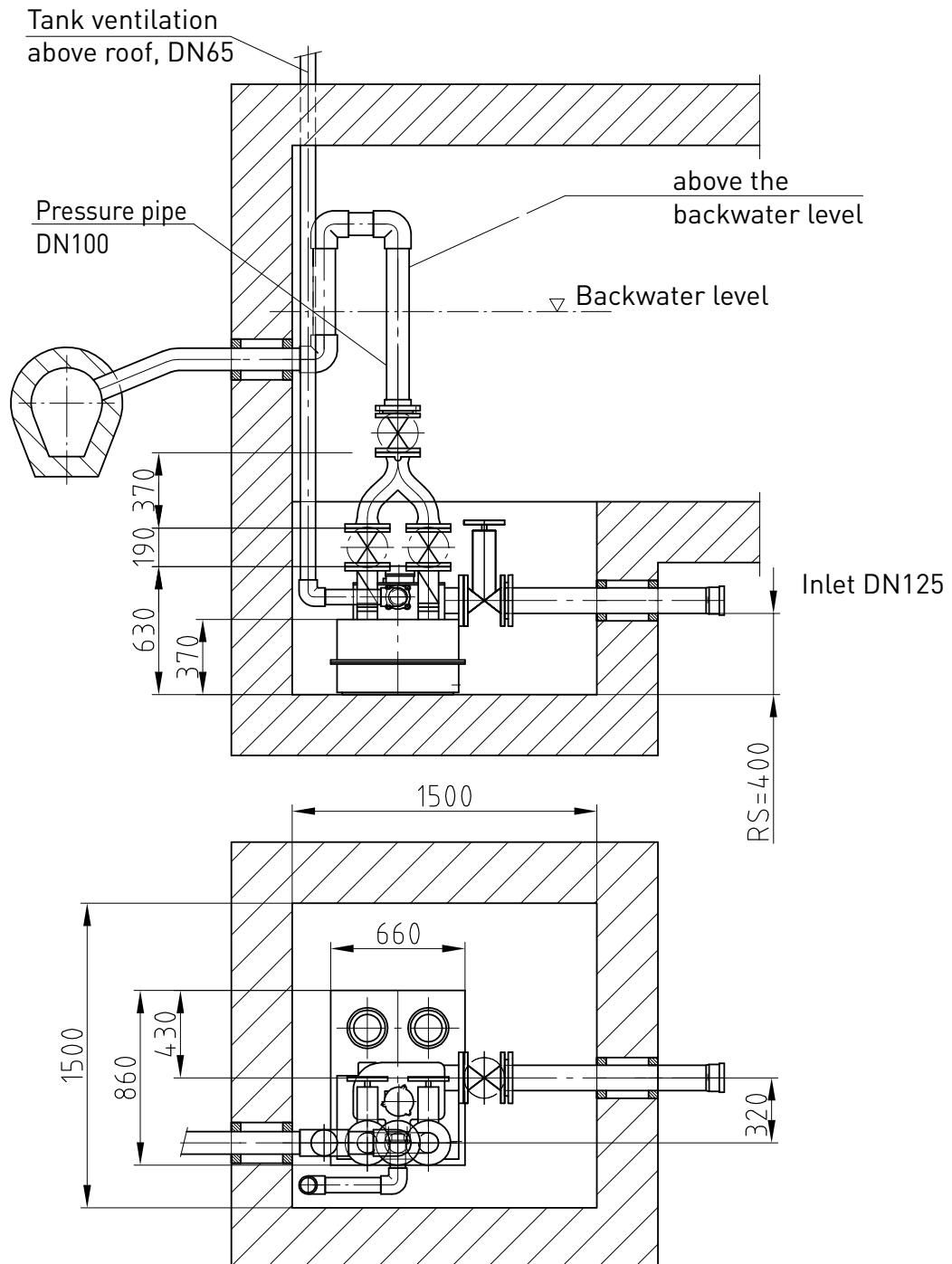
## Characteristic curve for pump



Other operating points on request.  
Pumps from the series STM 65/80 that can be used.  
The impellers are adapted to the specific operating point.

Subject to technical modifications and errors.

# AWALIFT 74/2



Copyright according to DIN 34

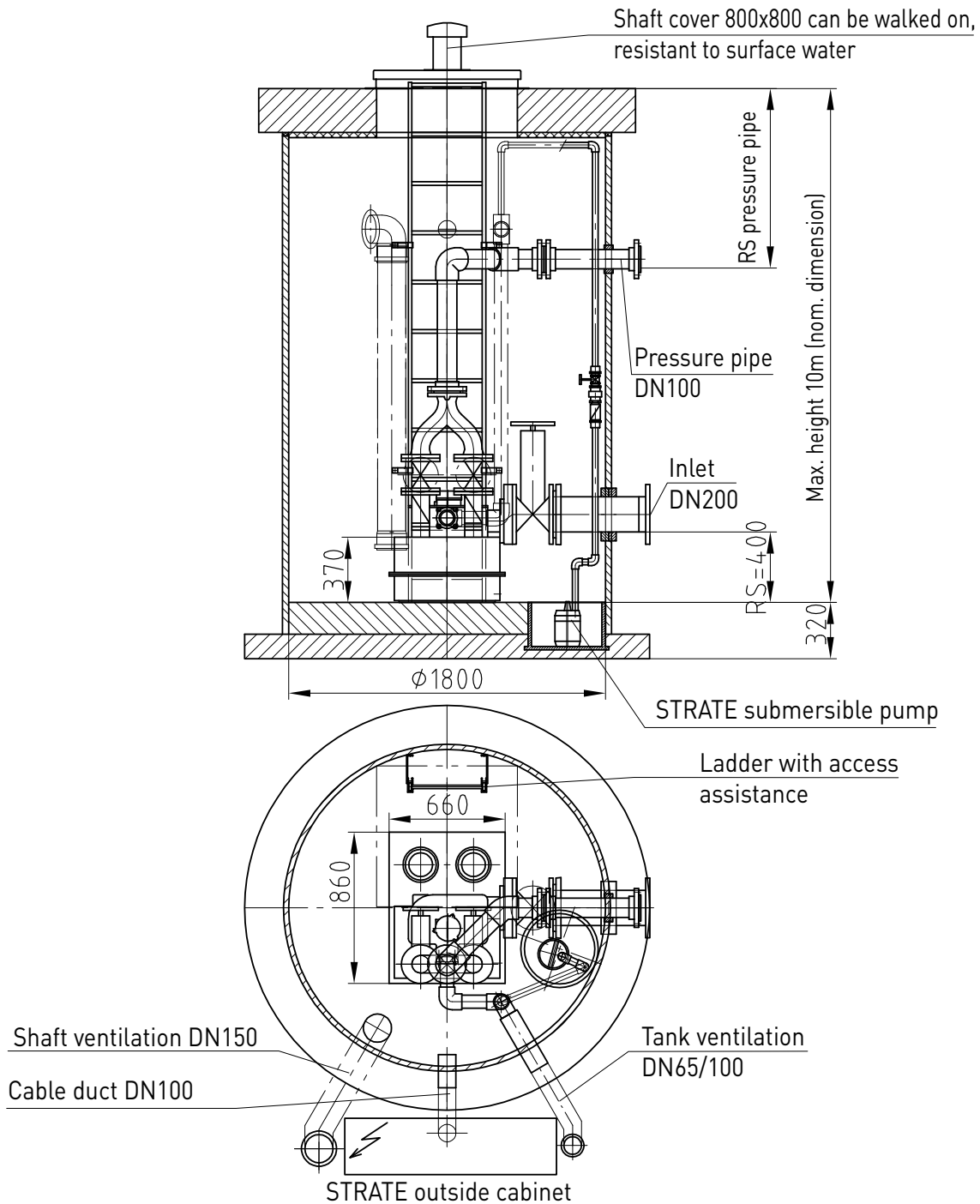
Scale:

Installation suggestion: AWALIFT 74/2

Set-up within a building

Subject to technical modifications and errors.

# AWALIFT 74/2



<p><b>Copyright according to DIN 34</b></p>	<p>Planning suggestion: Complete pumping station AWALIFT 74/2 in the AWALIFTSCHACHT 1800, pre-assembled ready for operation</p>
<p><b>Scale:</b></p>	

Subject to technical modifications and errors.