

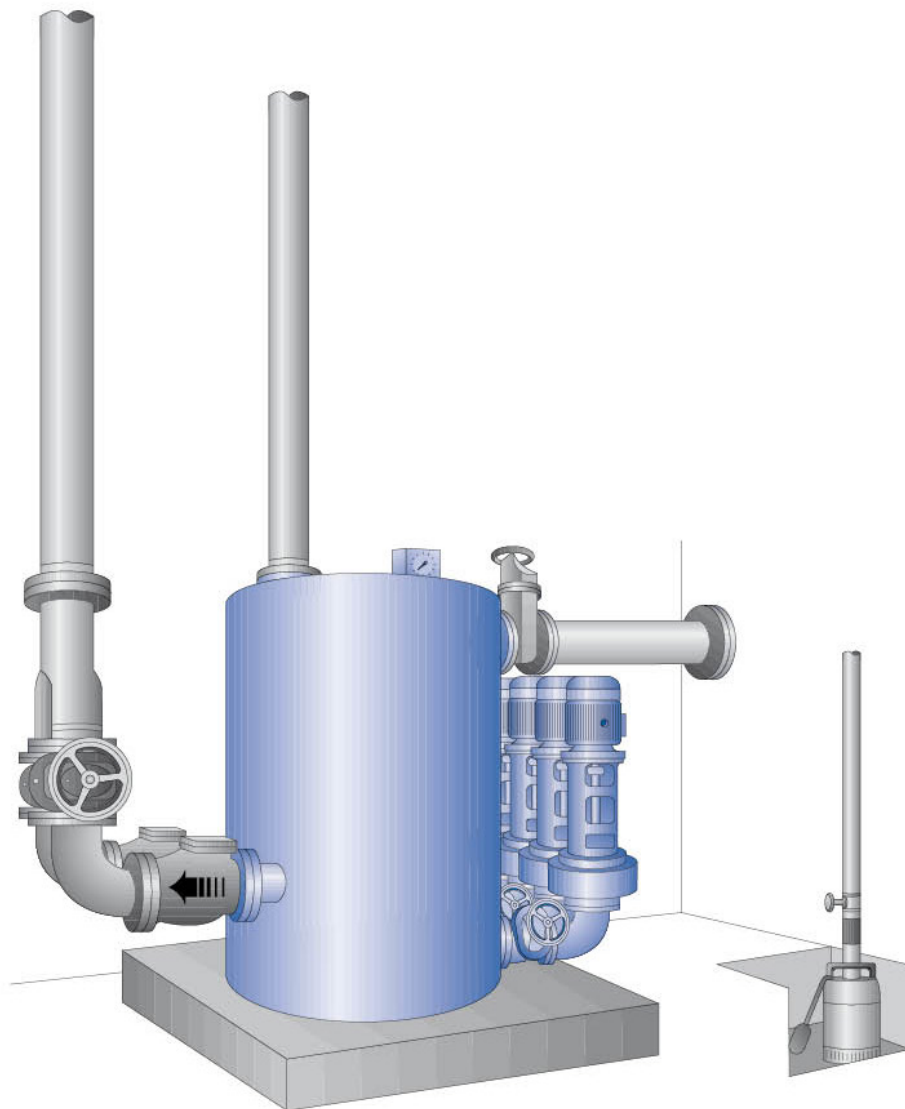
AWALIFT 2/2x2

The sewage pumping station with the STRATE system

Area of use:

- Draining small towns with up to about 2800 residents which cannot be drained using natural gradient or as an intermediate pumping station within the context of a pressure drainage system
- Residential and industrial areas
- Towns
- Communities
- Infrastructure facilities such as airports, industrial parks, underground stations etc.

up to
2800 PE



AWALIFT 2/2x2

Technical data

System capacity: 60 m³/h raw sewage, 2800 PE

Pumping head: up to 120 mWS

Free passage: 100 mm or 125 mm

Tank dimensions: Ø = 1250 mm x 1500 mm

Tank contents: 1,4 m³

Space requirements: Ø 3500 mm x 2500 mm

Weight: approx. 800 kg

Installation opening: 1500 mm x 1500 mm

Inlet height: 1200 mm

Inlet connection: DN 200 PN 10

Pressure pipe connection: DN 100 or DN 125 PN 10/16

Venting and air release: DN 100 PN 10

Electrical connection: According to requirement

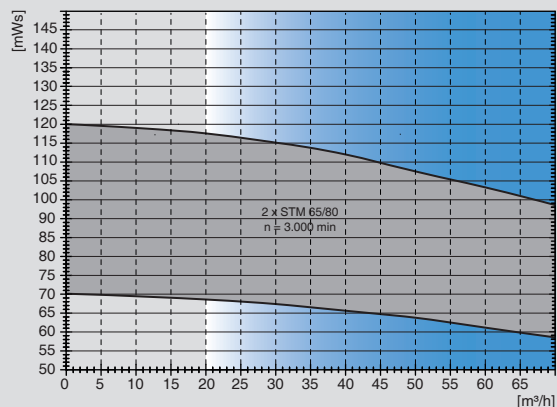
Werkstoffe

Behälter: S235JR (St37-2)

Pumpe: EN-GJL-250 (GG25),

Beschichtung / Korrosionsschutz: 2-K-Beschichtung auf Epoxidharzbasis, DB 601 grün

Characteristic curve for pump



Other operating points on request.

Pumps which can be used

ST(M)100/269,
ST 100/230.

Impellers are adapted to the specific operating point.

Scope of supply:

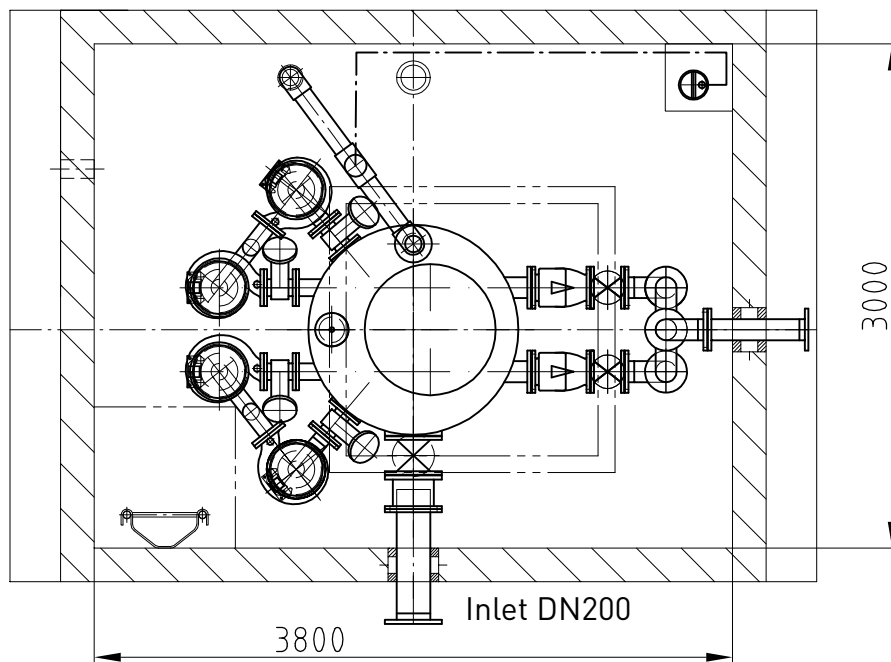
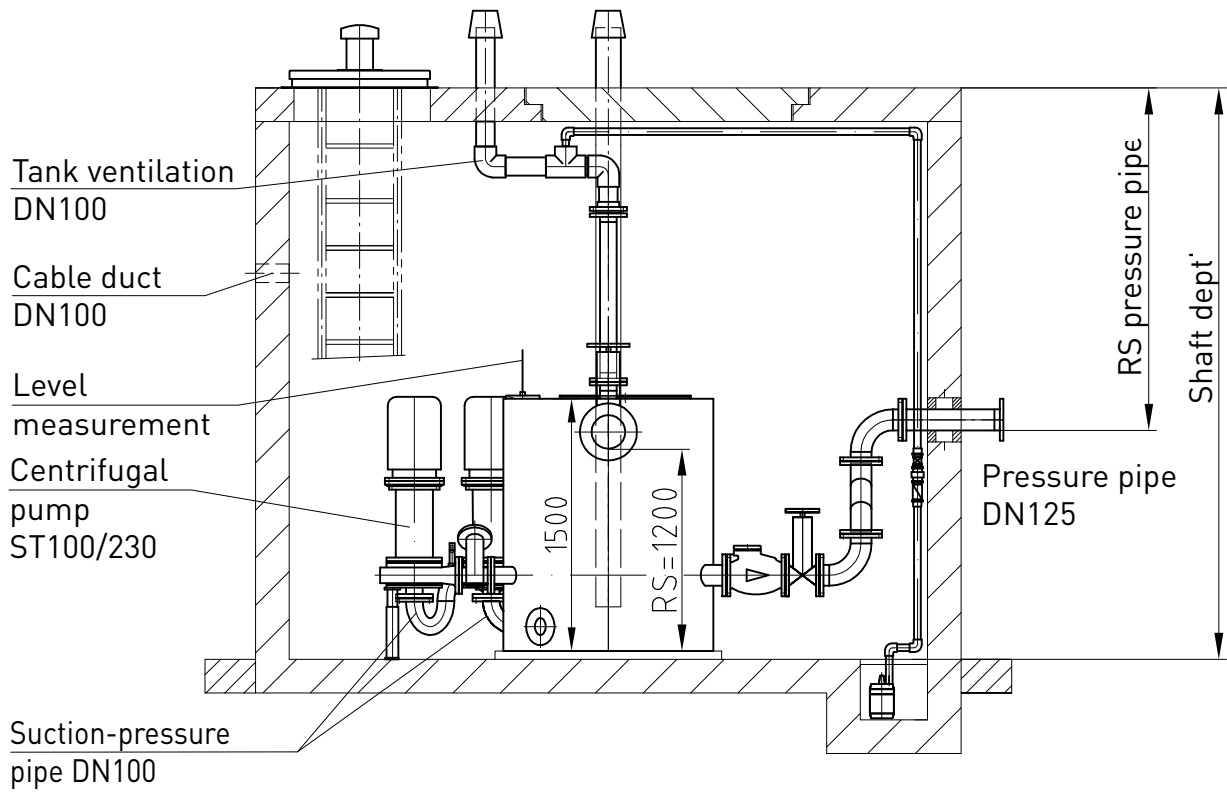
- One holding tank with two solids collecting chambers
- 2 x 2 centrifugal pumps and motors according to type and operating location required
- Four pump gate valves
- Two STRATE non-return valves
- One Y-pipe DN 100
- Two pressure pipe gate valves DN 100
- Level measurement

Accessories:

- Pump control
 - Inlet gate valve DN 200
 - Pipes incl. reducer and transition flanges within the building
 - Pig trap
 - Basement draining pump
 - Alarm and monitoring systems, see control technology
 - Inductive quantity measurement
 - Emergency power generator
 - STRATE venting systems
 - STRATE AWALIFT shaft
 - STRATE service building
 - STRATE assembly and maintenance
- Special accessories according to your requirements

Subject to technical modifications and errors.

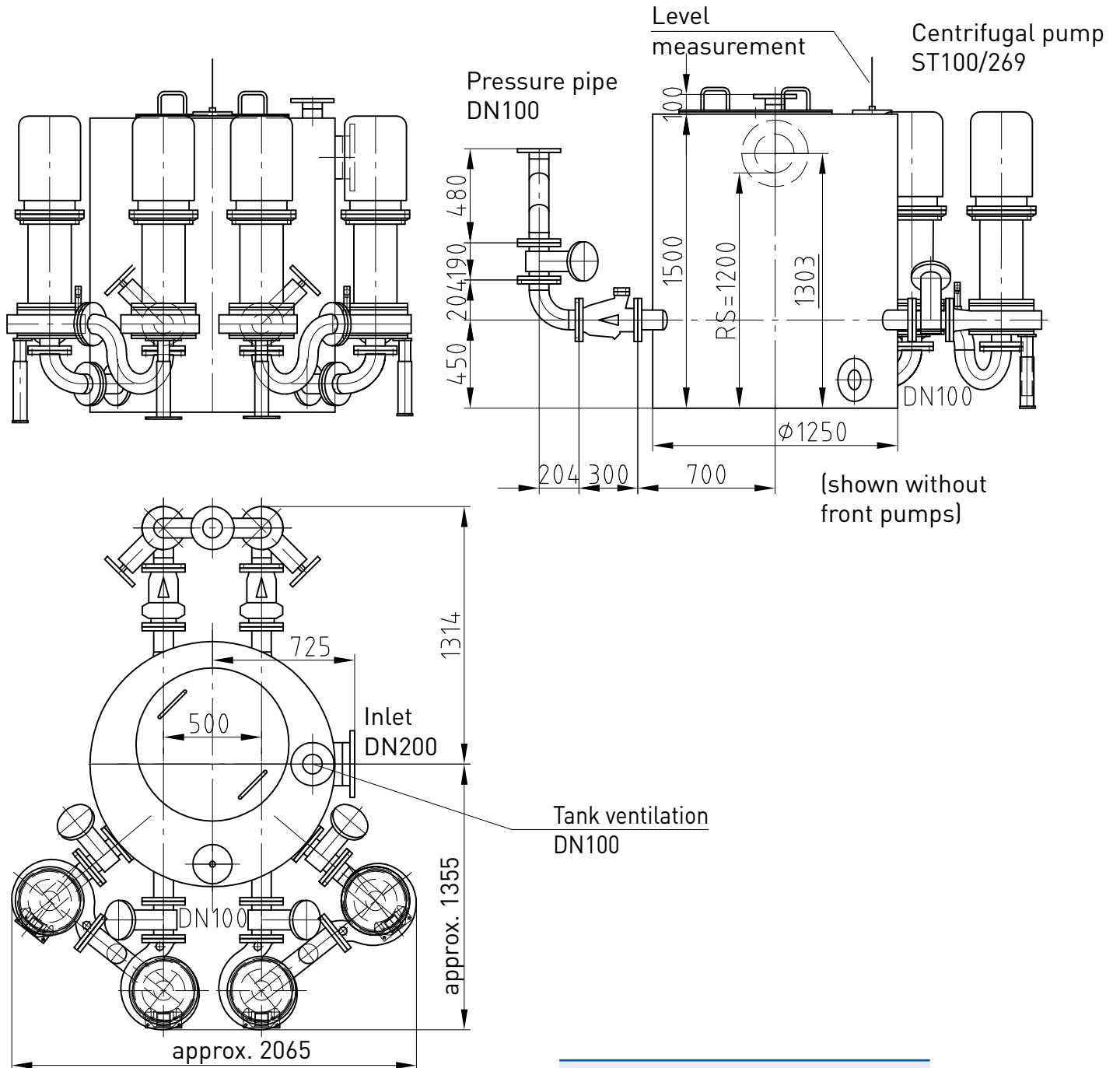
AWALIFT 2/2x2



Copyright according to DIN 34	Installation suggestion: AWALIFT 2/2x2
Scale:	

Subject to technical modifications and errors.

AWALIFT 2/2x2



Dimensional drawings are available from www.strate.com as dwg/dxf files.

Copyright according to DIN 34	Dimensional drawing: AWALIFT 2/2x2
Scale:	

Subject to technical modifications and errors.