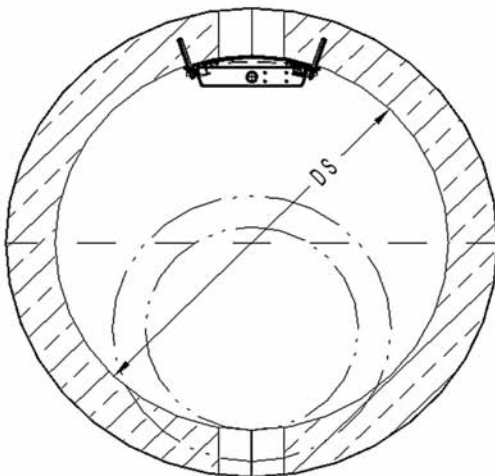
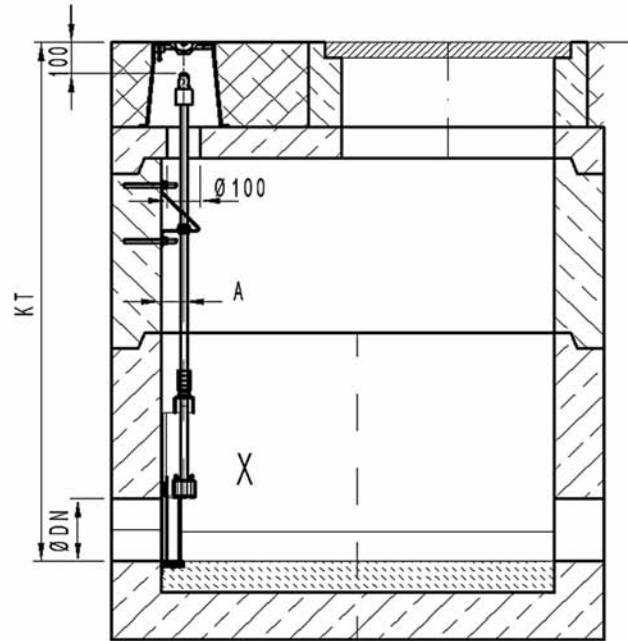
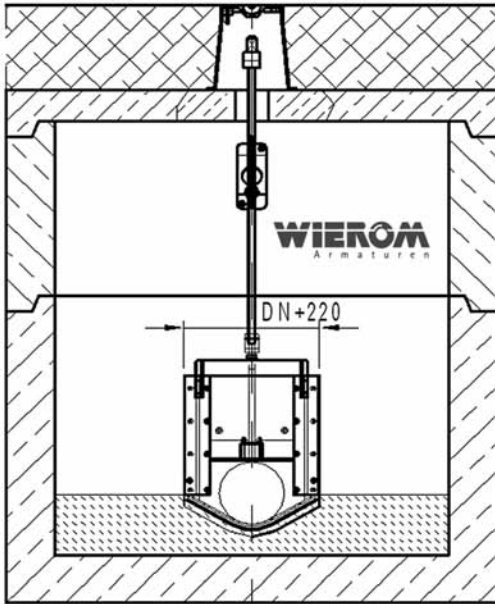
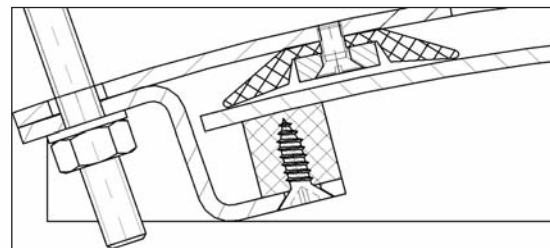


WIEROM Shaft gate – SCS

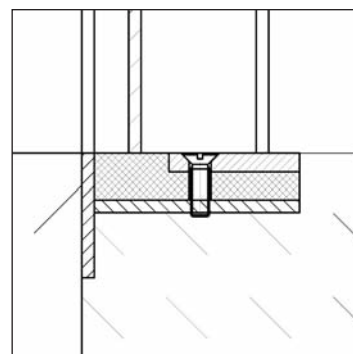
10. WIEROM Shaft gate – SCS



Detail: Side frame



Detail: Base profile



10.1 Application

Shut-off valve for round openings in round shafts. **OPEN-SHUT and CONTROL function**, i.e. provides a tight seal in any position. Water pressure can be exercised both on the front and the rear.

10.2 Design properties

Frame bent according to shaft diameter, for anchor attachment to a round concrete wall. With replaceable, wrap-around profile gasket inside the frame. Seal pressing via sliding rails. The sealing between the frame and the construction is provided by a one-sided self-adhesive cellular rubber seal (included in delivery). Please order fastening material separately.

Actuation by trapezoidal thread spindle.

10.3 Rated widths

DN 150 – DN 500. **Larger dimensions available on request.**

10.4 Drives

For drive selection, see chapter

15.1 – Drive inside the shaft – AS

15.2 – Floor pedestal drive systems – AF

