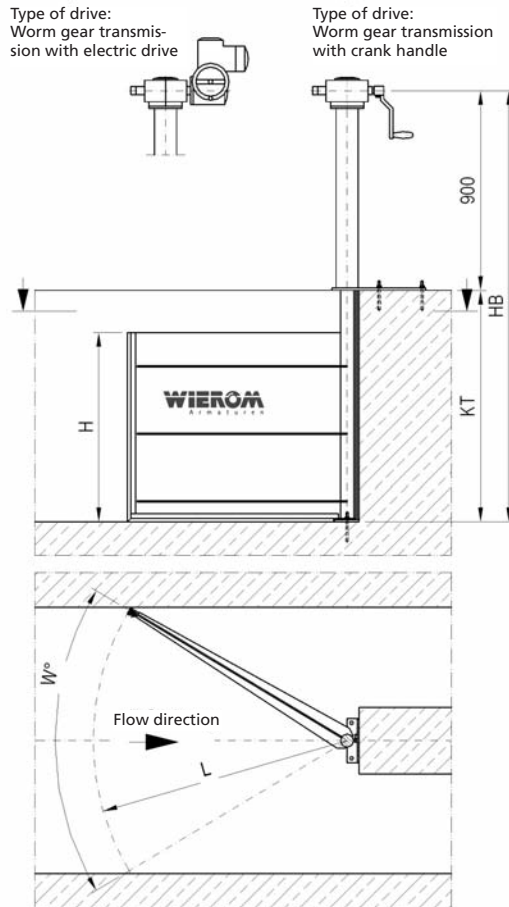
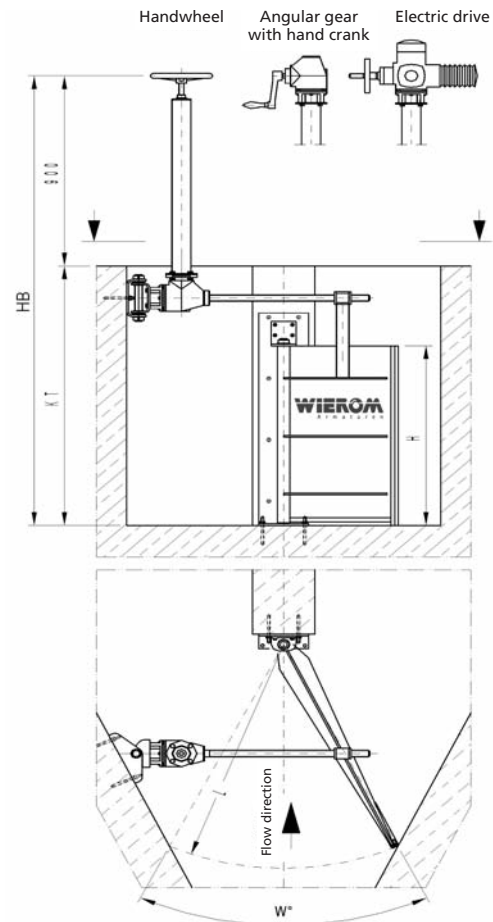


13. WIEROM Distribution blade – VEZ

13.1 VEZ 1 Distribution blade with pivotal drive



13.2 VEZ 2 Distribution blade with lateral drive



13.3 Application

Diverting and distributing the water flow inside an open channel. Flow from the front.

13.4 Design properties

Frame for anchor attachment to the channel base or the shaft wall. Shaft ends attached to the distribution blade ensure that the blade is movably supported inside gunmetal bushings. The sealing of the channel is provided by replaceable EPDM profile gaskets.

Please order fastening material separately.

13.4.1 VEZ 1

Actuation is provided inside the pivotal point by crank handle or electric drive and is transmitted via a worm gear.

13.4.2 VEZ 2

Actuation is provided from the side by a trapezoidal thread spindle with floor pedestal and handwheel or electric drive or an angular gear with crank handle.

13.4.3 Installation sizes

300 x 300 – 2,000 x 2,000 mm. **Larger dimensions available on request.**