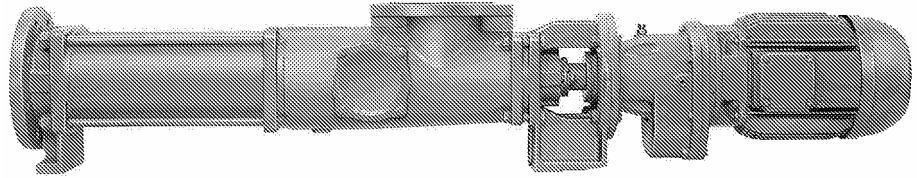


Eccentric Screw Pumps in Block Design

Series AEB1E, AEB2E Design IE



Application

For handling liquid to highly viscous, neutral or aggressive, uncontaminated or abrasive liquids, liquids containing gases or which tend to froth, also containing fibers and solid matter.

In waste water and waste water treatment engineering, chemical and petrochemical industry, paper and cellulose industry, soap and fats industry, paint and lacquer industry, food and beverage industry, plastics industry, ceramics industry, agriculture, sugar industry and in shipbuilding.

Operating

Self-priming, single or two-stage, rotary positive displacement pump. Conveying elements are the rotating eccentric screw (rotor) and the fixed stator. In the cross-sectional plane, both are in contact with one another at two points forming two sealing lines along the length of the conveying elements. The contents of the sealed chambers which are formed as the rotor turns, are displaced axially and with complete continuity from the suction to the delivery end of the pump. Despite rotor rotation, there is no turbulence. The constant chamber volume excludes squeezing, thus ensuring an extremely gentle low-pulsating delivery.

Design features

The pump and drive are held together by the bearing bracket to form a modular unit.

By means of external casing connecting screws (clamping screws), the pressure casing, stator and suction casing are interconnected. The suction casings are designed particularly favorable to flow. The pump sizes 200 to 2700 are supplied in cast iron and are provided with staggered holes for cleaning. The sizes between 50 and 1000 will be supplied in a cast iron finish as an alternative with a suction casing with a square intake controller. The stator vulcanized into a tube or shell casing (even elastomer wall thickness) is provided with external collars vulcanized to it on both sides, reliably sealing towards the suction casing and delivery casing and protecting the stator shell from corrosion.

Stators are supplied:

with uneven wall thickness:

single-stage for all sizes

two-stage not for sizes 550, 1000

with even wall thickness:

single-stage not for sizes 25, 50, 550, 1000

two-stage only for sizes 100, 200, 380, 750, 1450

The exchangeable shaft sealing housing or mechanical seal housing (subsequent conversion to another sealing variant is possible) are arranged between the suction casing and bearing bracket.

The torque of the drive is transmitted over the driving shaft and the joint shaft onto the rotor. On both sides, the joint shaft ends in liquid-tight encapsulated bolt joints, which are of particularly simple and sturdy design and easily absorb the eccentric movement of the rotor.

Shaft seal

By uncooled, cooled or heated stuffing box or by uncooled or cooled maintenance-free unbalanced, single or double-acting mechanical seal.

Material pairing and design are adapted to the respective operating conditions. For further data, refer to pages 4 and 5.

The stuffing box or mechanical seal housings of the various shaft sealing types are interchangeable within one size. The various mechanical seal housing parts form a modular construction system and, in case of conversion to a different mechanical seal design, can be easily combined with one another.

Installation spaces for mechanical seals according to DIN 24 960 (except for double mechanical seal).

For further information refer to pages 4, 5, 6 and 7.

Technical data

Deliveries, admissible speed ranges and required drive powers are to be taken from the performance graph on page 3 and/or the separate individual characteristic curves.

		AEB1E AEB2E	
Delivery	Q l/min to	2900	
Temperature of fluid pumped	t °C ① to	100	
Delivery pressure	single-stage Δp bar to	6	—
	two-stage Δp bar ② to	—	6
Pump outlet pressure	p _d bar ③ to	16	
Attainable underpressure	p _s bar ③ to	0.95	
Viscosity	η mPa·s ③ to	300.000	
Admissible solids content	vol % ③ to	60	
Solids content	% ③ to	12	

The stated performance information serves only as an outline of performance of our products. For exact limits of application please refer to the quotation and acceptance of order.

Max. admissible grain sizes and fiber lengths

Size	50	100	200	380	550	750
max. grain size mm	3	3,8	5	6,8	6,8	9,5
max. fiber length mm	42	48	60	79	79	98

Size	1000	1450	2700
max. grain size mm	9,5	14	20
max. fiber length mm	98	130	210

Increasing solids content and increasing grain size require a reduction of the pump speed:

- ① depending upon the fluid to be pumped and the elastomers employed
- ② the two-stage model is used for extreme suction conditions (vacuumoperation) or highly abrasive fluids to be pumped.
- ③ depending on the pump size/design, speed and fluid to be pumped
- ④ depending on the direction of rotation, inlet pressure
- ⑤ For suction casing with a square intake controller and worm screw on the articulated shaft.

Bearings

The driving and the joint shaft are situated in the reinforced bearings of the electric motors, gear motors or control gear which also absorb the generated axial forces.

As all drives are only supplied with reinforced bearings it must be assured that the assigned pumps can be run at full capacity within their permissible application limits.

Drive

The drive can be provided by non-explosion-proof or explosion-proof three-phase motors, gear motors or control gear. For drive options see page 12. For technical data and dimensions, please refer to the separate sales documentation, data sheet 19-00-0000-111-3.

A considerable advantage is the fact that within a pump size the connection dimensions for all drive types are the same. This allows a later change to a different drive type or size.

Installation

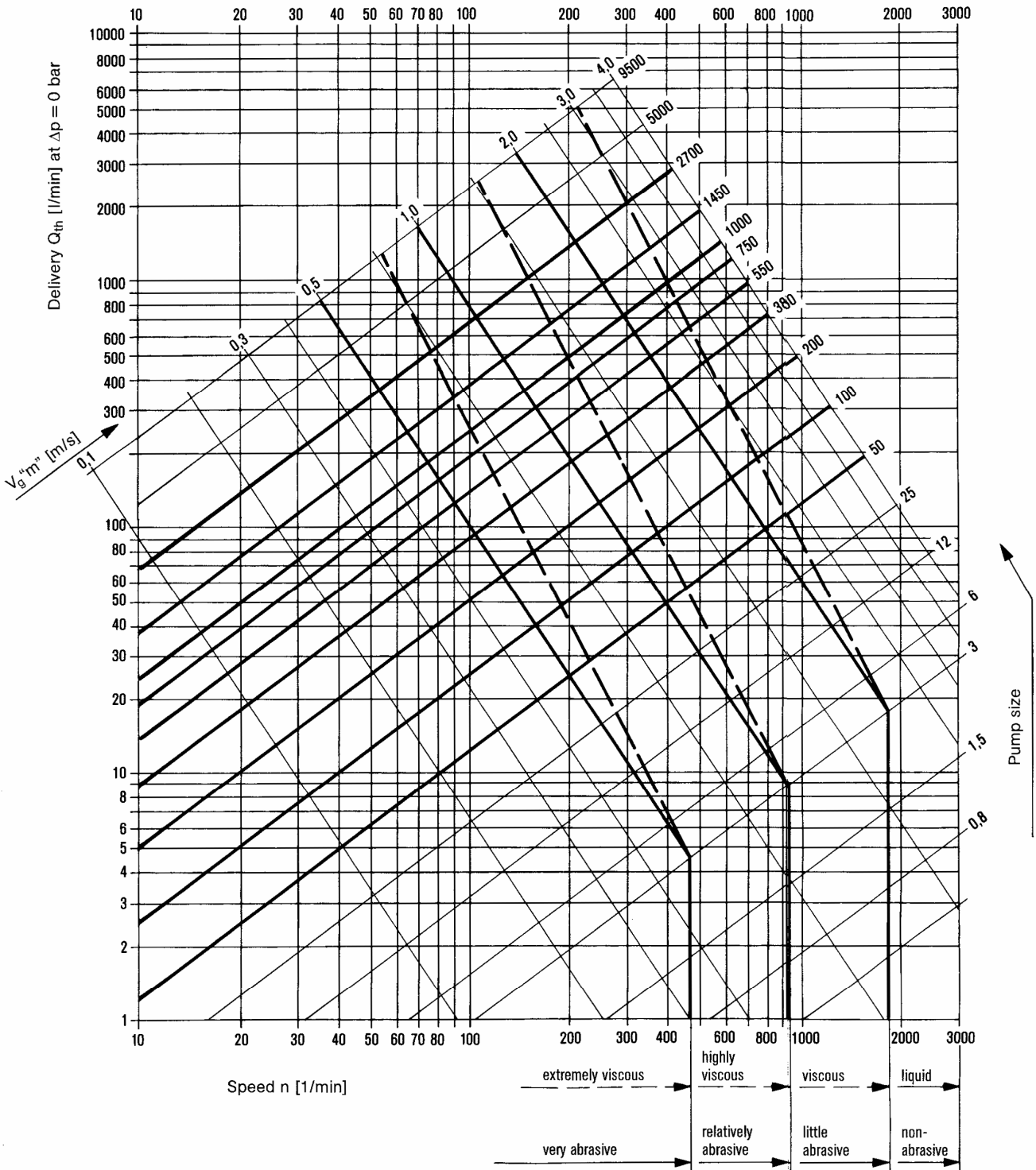
AE pumps may be installed horizontally or vertically. In case of vertical arrangement, "shaft shank downwards" is not admissible.

Exchangeability of components

The components of all eccentric screw pumps are of a modular design. This allows a simple and cost-effective spare parts management even if different series and designs of pumps are used.

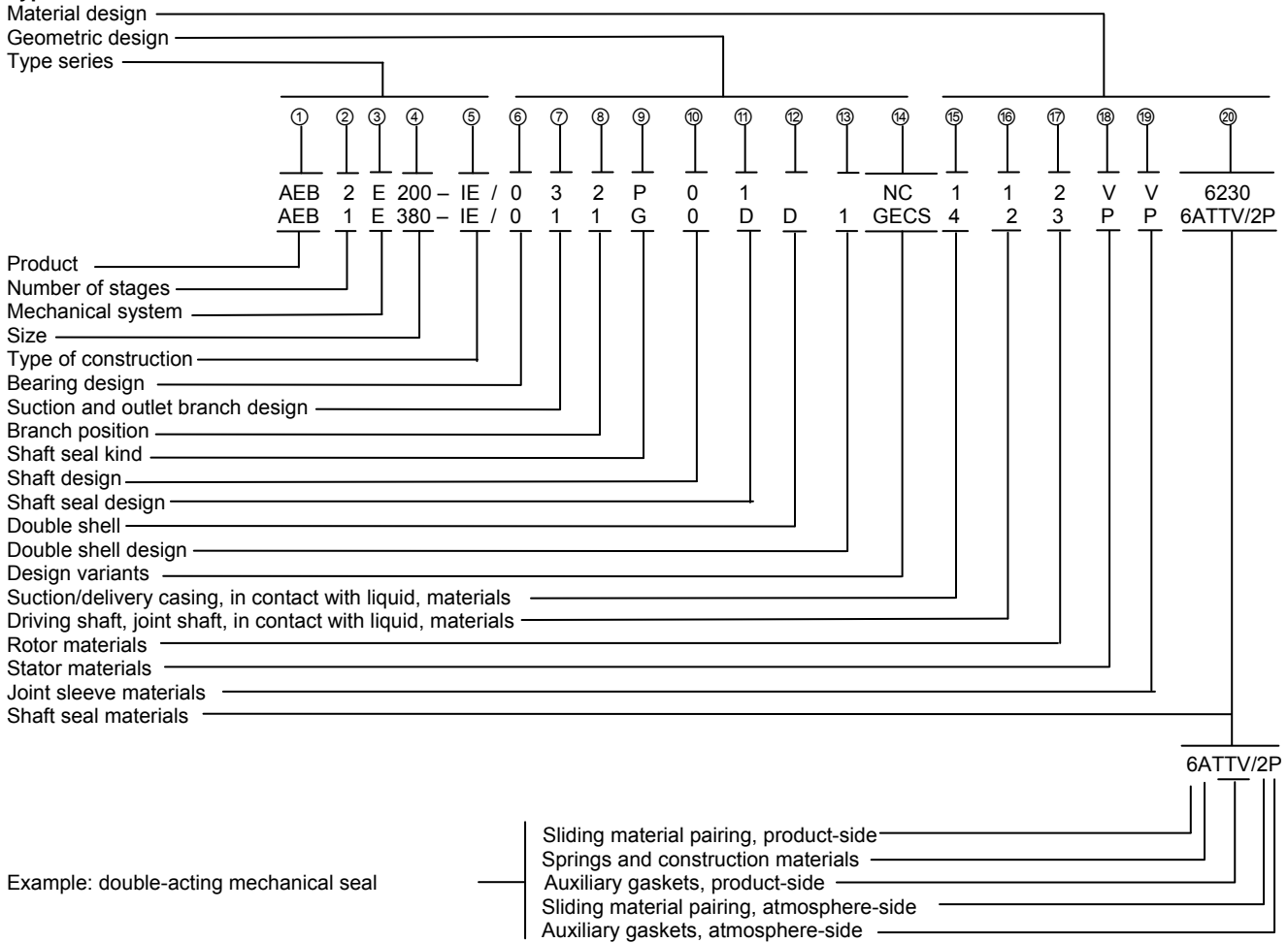
Performance graph

For a rough selection of the pump size and speed as a function of the requested delivery and kind of fluid to be pumped.
 $V_g \text{ "m"}$ = available, mean sliding speed of the rotor in the stator.



Sizes of the series AEB1E, AEB2E. Data on the performance range not covered by AEB series are to be taken from the last page of this brochure and/or the individual brochures of the other series.
 For exact performance data, please refer to the individual characteristics.

Type code

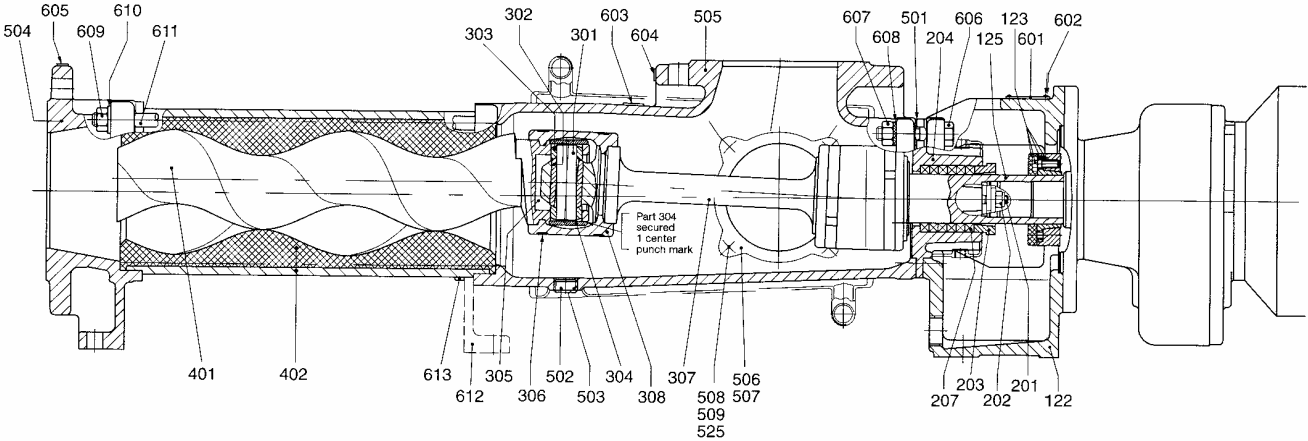


Explanations to the type code:

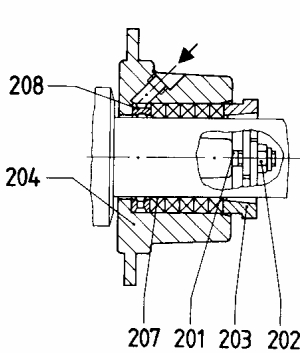
Position In type code	Designation	Design
①	Product	ALLWEILER eccentric screw pumps
②	Number of stages	1 = single-stage up to delivery pressure $\Delta p = 6$ bar 2 = two-stage up to $\Delta p = 6$ bar (sizes 550, 1000 only available as single-stage)
③	Mechanical system	E = rated for delivery pressure $\Delta p = 6$ bar
④	Size	Possible sizes: 50, 100, 200, 380, 550, 750, 1000, 1450, 2700. The numbers indicate the theoretic delivery in l/min with $n = 400$ 1/min and $\Delta p = 0$ bar
⑤	Design	IE = Industrial design with external bearing
⑥	Bearing design	0 = external bearing in drive unit
⑦	Suction and outlet branch design	1 = DIN flanges 3 = ANSI flanges X = Suction and/or delivery branch of special design according to dimensional sheet, pages 9 and 10
⑧	Branch position	1, 2, 3, 4 – For arrangement please refer to the representation, page 9. Arrangement 3 is not possible for size 50.
⑨	Shaft seal type	P = Stuffing box or other non-mechanical shaft seal G = Mechanical seal (mechanical shaft seal)
⑩	Shaft design	0 = Shaft without shaft sleeve
⑪	Shaft seal design	Stuffing boxes P01 = Stuffing box of normal design (without sealing chamber ring / without flushing ring) P02 = Stuffing box with flushing ring P03 = Stuffing box with internal sealing chamber ring P04 = Stuffing box with external sealing chamber ring POX = Non-mechanical shaft seal of special design

⑪	Shaft seal design (continued) X=design possible	Mechanical seals									
		For pump sizes	50	100	200	380	550	750	1000	1450	2700
		Shaft diameter at the location of the shaft seal	25	30	35	43	43	53	53	60	75
		G0K = individual mechanical seal, DIN 24 960, design K, shape U	X	X	X	X	X	X	X	X	X
		G0N = as above, however design N	X	X	X	X	X	X	X	X	X
		G0S = individual mechanical seal, DIN 24 960, design K, shape U, rotating part with integrated locking device and pump-sided throttling ring	X	X	X	X	X	X	X	X	X
		G0T = as above, however design N	X	X	X	X	X	-	-	X	X
		G0Q = individual mechanical seal, DIN 24 960, design K, shape U with quench	X	X	X	X	X	X	X	X	X
		G0D = double mechanical seal	①	①	①	①	①	①	①	①	①
G0X = mechanical seal of special design											
① design available on request											
⑫	Double shell	D = Double shell for heating/cooling, available in stainless steel only. Connections as threaded nipples for liquid media. Maximum heating/cooling pressure 6 bar, maximum heating temperature + 100°C, maximum cooling temperature -40°C									
⑬	Double shell design	1 = Suction case with double shell 2 = Stuffing box for P01 with double shell 12 = Suction and shaft sealing housing P01 with double shell X = Special design for other double shells									
⑭	Design variants	Stator with uneven elastomer wall thickness (all qualities)				Stator with even elastomer wall thickness (all qualities)					
		N M H T	Rotor with temperature play as a function of the temperature of the fluid pumped			D E F R	Rotor with temperature play as a function of the temperature of the fluid pumped				
		J = Rotor hollow	S = Worm on joint shaft								
		C = Rotor hard chromium-plated	W = Winding protection on joint shaft								
		Y = Rotor ductile hard chromium-plated	G = Stator with even elastomer wall thickness								
		Z = Rotor metallically coated	X = other designs								
⑮	Suction and delivery casing in contact with fluid, materials	1 = gray cast iron EN-GJL-250 3 = gray cast iron EN-GJL-250, inside H-rubberized 4 = 1.4408 A = 1.4462 X = Special materials									
⑯	Driving shaft, joint shaft casing in contact with fluid, materials	1 = 1.4021 2 = 1.4301/1.4571/1.4462 4 = 1.4571/1.4462 A = 1.4462 X = Special materials, i.e. also for articulated components									
⑰	Rotor materials	2 = 1.4301/1.4308	4 = 1.4571/1.4408	A = 1.4462							
		3 = 1.2436/1.2601/1.2379	X = Special materials, e.g. other metals, plastic materials								
⑱	Stator materials	WB = Caoutchouc soft	YL = Chlorosulfonated polyethylene (CSM) bright	PE = Polyethylene							
		P = Acrylonitrile-butadiene rubbers (NBR)	V = Fluoroelastomer (FPM)	PT = Teflon glass fiber reinforced							
		PL = Acrylonitrile-butadiene rubbers (NBR), bright	HP = Acrylonitrile-butadiene rubbers, hydrated (HNBR)	E = EPDM							
		N = Polychloroprene (N)	SL = Silicone bright	X = Special materials							
		Y = Chlorosulfonated polyethylene (CSM)	PU = Polyurethan								
⑲	Joint sleeve materials	P = Acrylonitrile-butadiene rubbers (NBR)	Y = Chlorosulfonated polyethylene (CSM)	X = Special materials							
		PL = Acrylonitrile-butadiene rubbers (NBR)	V = Fluoroelastomer (FPM)								
		N = Polychloroprene (N)	B = Butyl caoutchouc								
⑳	Shaft seal materials	Stuffing box: 5846 = Ramie fiber with PTFE impregnation, asbestos-free 6426 = Aramid endless fiber with PTFE impregnation, asbestos-free 6230 = Graphite-incorporated PTFE with sliding means, asbestos-free									
		Mechanical seal:			Sliding material pairing			Spring and constr. materials		Auxiliary gaskets	
		1st point for single gasket 1st + 4th point for double gasket			2nd point		3rd point for single gasket 3rd + 5th points for double gasket				
		2 = CrMo cast iron/hard carbon 4 = Ceramics/hard carbon 5 = Hard metal/hard metal, highly wear-resistant 6 = Silicon carbide/silicon carbide highly wear-resistant, corrosion-resistant 7 = Silicon carbide/silicon carbide highly wear-resistant, highly corrosion-resistant X = Special materials			A = 1.4300 F = 1.4571 L = Hastelloy B M = Hastelloy C4 X = Special materials		P = Acrylonitrile-butadiene rubbers (NBR) ① double E = EP caoutchouc PTFE-coated S = Silicon caoutchouc N = Polychloroprene (N) V = Fluoroelastomer (FPM) TTE = EP caoutchouc ① TTV = Fluoroelastomer (FPM) ① TTS = Silicon caoutchouc ① X = Special materials				

Sectional drawing and components list

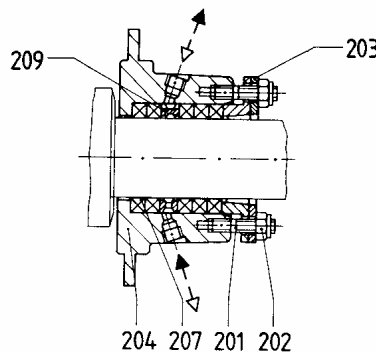


Bearing 0: External bearing in drive unit
Shaft seal P01: Due to particularly great packing length, versatile, admissible pressure at the shaft seal $p = -0.7$ to 16 bar.



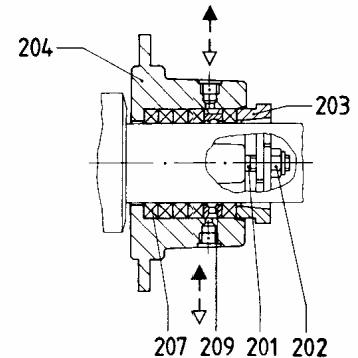
P02 Stuffing box with flushing ring

To be employed for very abrasive fluids pumped with external flushing
 $p = -0.7$ to 12 bar



P03 Stuffing box with internal sealing chamber ring

To be employed for pure fluids with internal sealing or for abrasive fluids with external sealing
 $p = -0.8$ to 6.0 bar



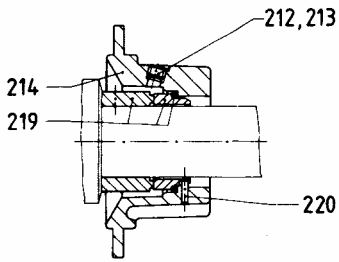
P04 Stuffing box with internal sealing chamber ring

To be employed in case of incompatibility of the external sealing liquid with the fluid pumped or if air inlet is to be avoided
 $p = -0.9$ to 12 bar

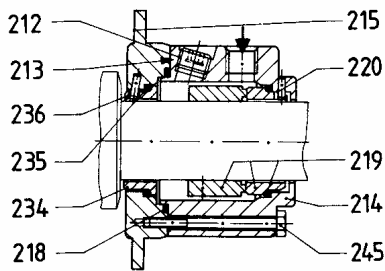
Part No.	Name
122	Bearing bracket
123	Tensioning set
125	Driving shaft
201	Stud bolt
202	Self-locking nut
203	Gland half
204	Shaft sealing housing
207	Stuffing box
208	Flushing ring
209	Sealing chamber ring
212	Screw plug
213	Joint tape
214	Mechanical seal housing

Part No.	Name
215	Mechanical seal cover
218	O-ring
219	Mechanical seal
220	Locking pin
232	Shaft seal ring
234	Throttling ring
235	O-ring
236	Locking pin
245	Hexagon screw
251	Sealing compound
301	Joint bolt
302	Joint bush
303	Bush for joint bolt

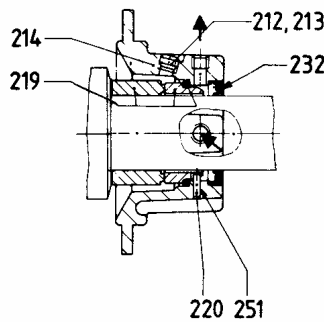
Part No.	Name
304	Joint sleeve
305	Joint lubricant
306	Joint clamp
307	Joint shaft
308	Joint collar
401	Rotor
402	Stator
403	Stator gasket delivery-side
404	Stator gasket suction-side
501	Gasket for suction casing
502	Screw plug
503	Joint tape
504	Delivery casing



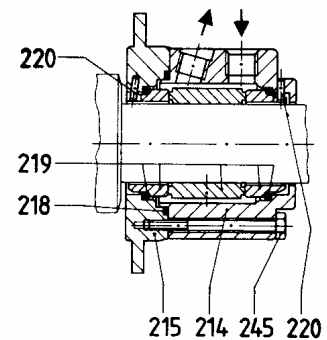
G0K/G0N Single mechanical seal,
DIN 24 960, K/N design, U shape.
For employment, please inquire,
 $p = -0.5$ to 16 bar



G0S/G0T Single mechanical seal,
DIN 24 960, K/N design, U shape.
Integrated locking device with
flushing liquid connection and
pump-side throttling ring.
For employment, please inquire,
 $p = -0.5$ to 16 bar



G0Q Single mechanical seal,
DIN 24 960, K design, U shape
with quench.
For employment, please inquire,
 $p = -0.5$ to 16 bar

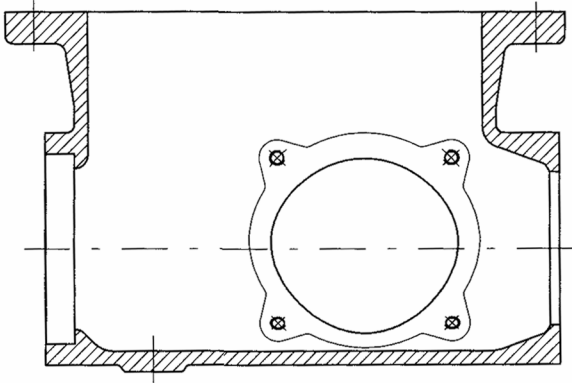


G0D Double mechanical seal
with sealing liquid connection.
For employment, please inquire,
 $p = -0.95$ to 16 bar

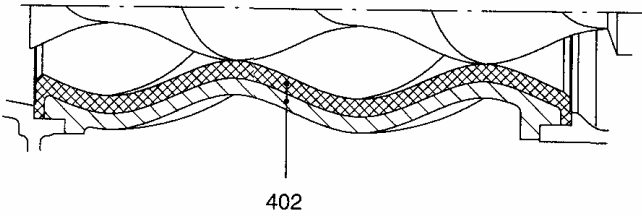
Part No.	Name
505	Suction casing
506	Suction casing cover
507	Gasket
508	Stud bolt
509	Hexagon nut
525	Washer
601	Type plate
602	Round head grooved pin
603	Information plate commissioning
604	Information plate suction
605	Information plate pressure
606	Hexagon screw/stud bolt

Part No.	Name
607	Hexagon nut
608	Fan-type lock washer
609	Hexagon nut
610	Washer
611	Clamp bolt
612	Support
613	Hexagon screw
627	Information plate Physical hazard

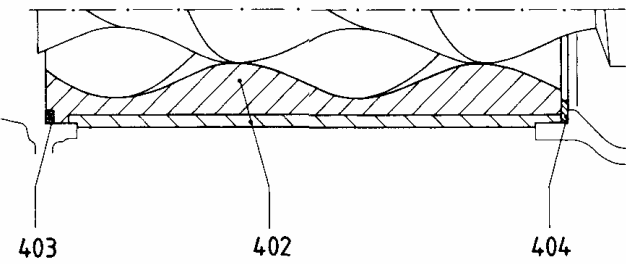
⊙ Not possible for size 50



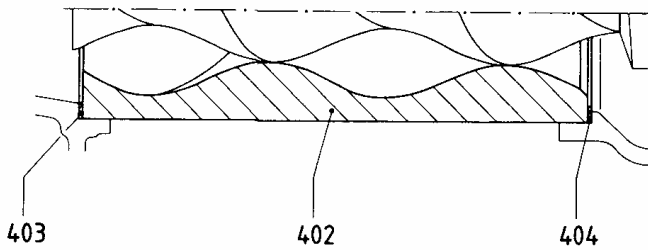
Suction casing with a square intake controller



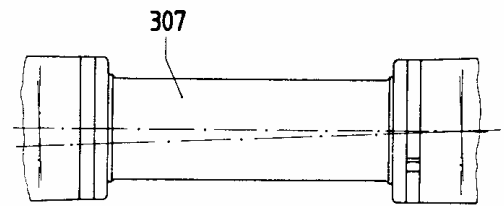
Stator with even wall thickness



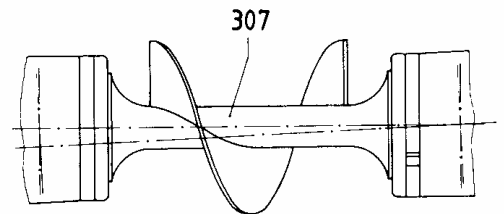
Plastic stator



Metal stator

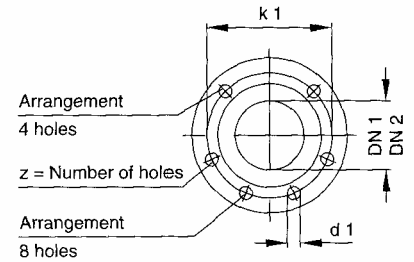
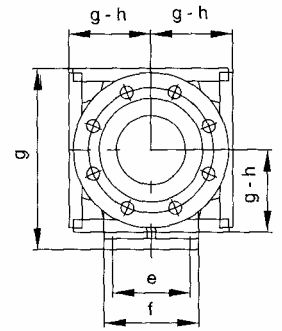
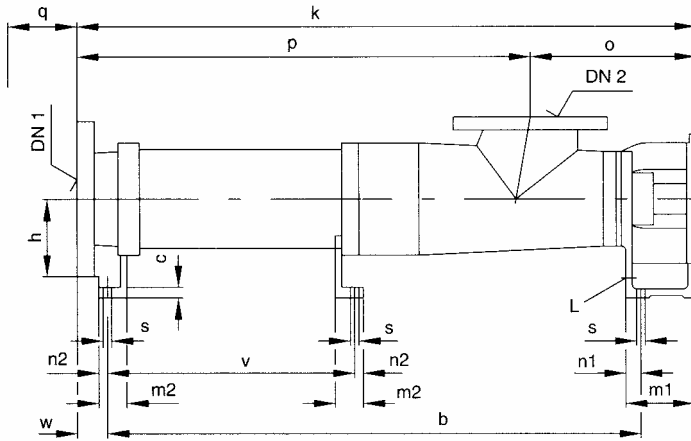


Winding protection on joint shaft



Worm on joint shaft

Pump dimensions, auxiliary connections, possible branch positions, weights
Suction casing with flange connection



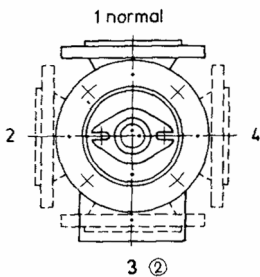
Dimensions in mm, nominal width of ANSI flanges (DN) in inches. Subject to alteration.

Sense of rotation: normally counter-clockwise as seen from the driving side with DN₁ = outlet branch, DN₂ = suction branch, change of rotation possible, then, DN₁ = suction branch, DN₂ = outlet branch

Series Size	Pump dimensions														Max. mass kg
	b	c	e	f	h	m ₁	m ₂	n ₁	n ₂	o	① q	s	L	v	
AEB1E 50-IE	425	10	75	95	90	84	30	19	11	167	165	9	Rp 3/8	-	20
AEB2E 50-IE	585	10	75	95	90	84	30	19	11	167	280	9	Rp 3/8	-	26
AEB1E 100-IE	511	10	85	105	100	93	30	19	11	192	205	9	Rp 3/8	-	31
AEB2E 100-IE	711	10	85	105	100	93	30	19	11	192	365	9	Rp 3/8	-	37
AEB1E 200-IE	645	13	100	125	125	106	38	25	13	227	270	11.5	Rp 1/2	-	48
AEB2E 200-IE	897	13	100	125	125	106	38	25	13	227	470	11.5	Rp 1/2	-	58
AEB1E 380-IE	769	15	114	140	140	110	40	26	14	252	330	14	Rp 3/4	-	71
AEB2E 380-IE	1075	15	114	140	140	110	40	26	14	252	580	14	Rp 3/4	-	91
AEB1E 550-IE	923	15	114	140	140	110	40	26	14	252	430	14	Rp 3/4	-	78
AEB1E 750-IE	958.5	16	132	168	160	128	50	31	19	304	420	18	Rp 3/4	-	115
AEB2E 750-IE	1358.5	16	132	168	160	128	50	31	19	304	780	18	Rp 3/4	-	153
AEB1E 1000-IE	1070.5	16	132	168	160	128	50	31	19	304	490	18	Rp 3/4	-	125
AEB1E 1450-IE	1174.5	16	164	200	180	131	50	31	19	330	510	18	Rp 3/4	-	194
AEB2E 1450-IE	1679.5	16	164	200	180	131	50	31	19	330	980	18	Rp 3/4	1079	252
AEB1E 2700-IE	1429.5	21	200	245	225	153	63	40	23	407.5	620	22	Rp 1	-	300
AEB2E 2700-IE	2087.5	21	200	245	225	153	63	40	23	407.5	1240	22	Rp 1	1359	417

① Stator dismantling dimension

Possible branch positions as seen from the drive



Flange dimensions							
DIN 2501, PN 16 ⑤				ANSI B16.1/16.5, Class 125/150 ④			
DN ₁ /DN ₂	k ₁	d ₁	z	DN ₁ /DN ₂	k ₁	d ₁	z
50	125	18	4	2	120.6	19	4
65	145	18	4	2 1/2	139.7	19	4
80	160	18	8	3	152.4	19	4
100	180	18	8	4	190.5	19	8
125	210	18	8	5	215.9	22.2	8
150	240	22	8	6	241.3	22.2	8
200	295	22	12	8	298.4	22.2	8

④ not for size 50

Series Size		Connection dimensions for suction and outlet branch																	
		Flanges DIN 2501, PN 16 ③						Flanges ANSI B16.1, Class 125 ④						Flanges ANSI B16.5, Class 150 ④					
		DN ₁	③ DN ₂	③ k	③ p	③ w	g	DN ₁	DN ₂	③ k	③ p	③ w	③ g	DN ₁	DN ₂	k	p	w	g
AEB1E 50-IE	AEB2E 50-IE	50	50	536 696	369 529	43	175	2	2	532 692	365 525	39	171	2	2	536 696	369 522	43	175
AEB1E 100-IE	AEB2E 100-IE	65	65	634 834	442 642	46	190	2 ½	2 ½	633 833	441 641	45	189	2 ½	2 ½	638 838	446 646	50	194
AEB1E 200-IE	AEB2E 200-IE	80	80	774 1026	547 799	45	230	3	3	772 1024	545 797	43	228	3	3	777 1029	550 802	48	233
AEB1E 380-IE	AEB2E 380-IE	100	100	900 1206	648 954	43.5	260	4	4	902 1208	650 956	45.5	262	4	4	902 1208	650 956	45.5	262
AEB1E 550-IE		100	100	1054	802	43.5	260	4	4	1056	804	45.5	262	4	4	1056	804	45.5	262
AEB1E 750-IE	AEB2E 750-IE	125	125	1104 1504	800 1200	44	300	5	5	1104 1504	800 1200	44	300	5	5	1104 1504	800 1200	44	300
AEB1E 1000-IE		125	125	1216	912	44	300	5	5	1216	912	44	300	5	5	1216	912	44	300
AEB1E 1450-IE	AEB2E 1450-IE	150	150	1337 1842	1007 1512	59	350	6	6	1337 1842	1007 1512	59	350	6	6	1337 1842	1007 1512	59	350
AEB1E 2700-IE	AEB2E 2700-IE	200	200	1610.5 2268.5	1203 1861	64	425	8	8	1610.5 2268.5	1203 1861	64	425	8	8	1610.5 2268.5	1203 1861	64	425

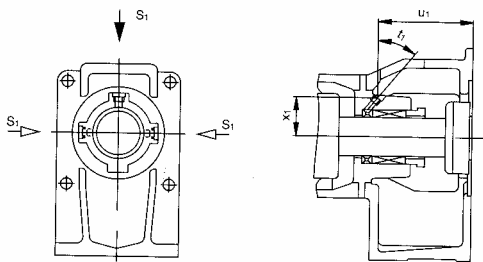
③ for rubber-coating + 3 mm

④ up to DN 100 sealing surface DIN 2526 shape C, machined as shape A

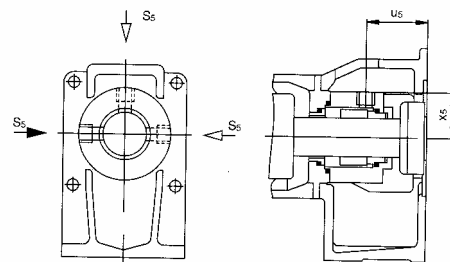
④ Sealing surface: stock finish

from DN 125 sealing surface DIN 2526 shape A

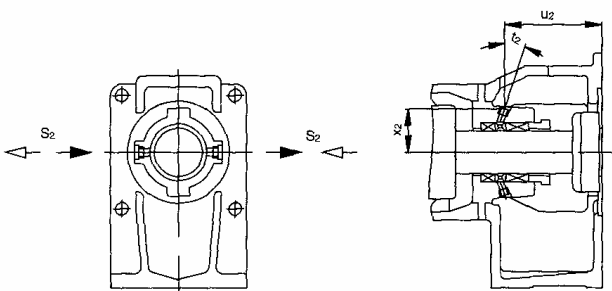
Arrangement of auxiliary connections for shaft seals



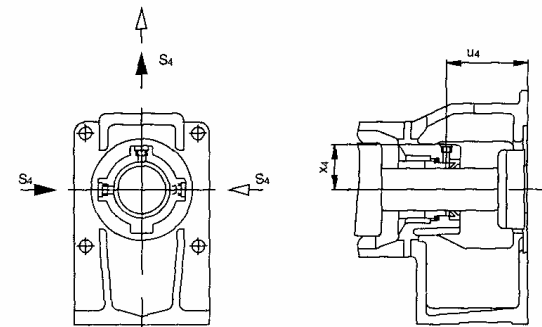
PO2 with flushing rod



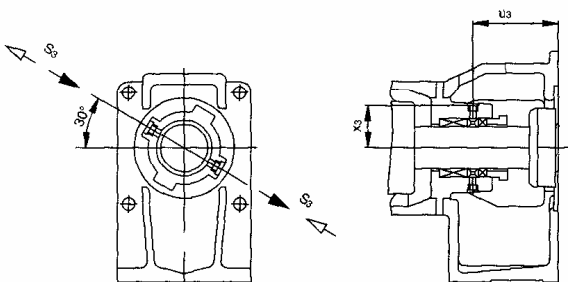
G0S/G0T with flushing connection



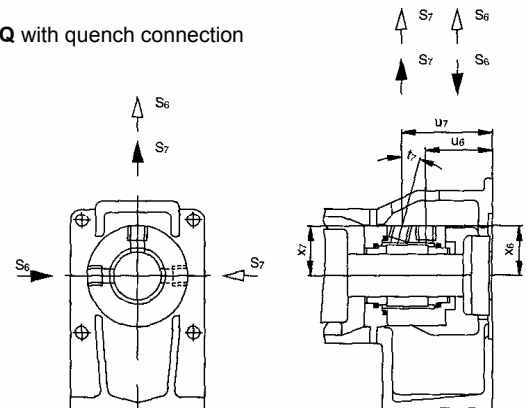
P03 with internal sealing chamber ring



G0Q with quench connection



P04 with external sealing chamber ring
10



G0D with sealing connection

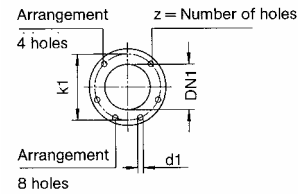
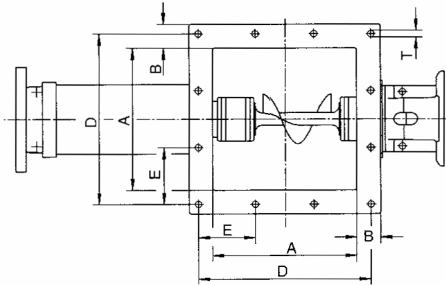
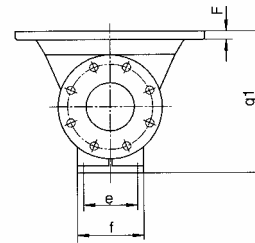
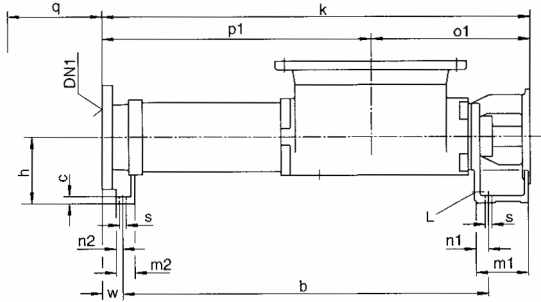
Series Size	Connection dimensions for auxiliary connections for shaft seals										
	P02 with flushing ring				P03 with internal sealing chamber ring				P04 with external sealing chamber ring		
	S ₁ ⊕	u ₁	x ₁	t ₁	S ₂ ⊕	u ₂	x ₂	t ₂	S ₃ ⊕	u ₃	x ₃
AEB.E 50-IE	M 8 x 1	84	28	42°	M 8 x 1	77	30	20°	M 8 x 1	69	30.5
AEB.E 100-IE	M 8 x 1	93	31.5	40°	M 8 x 1	87	32	20°	M 8 x 1	78.5	33.5
AEB.E 200-IE	Rp ½	104.5	38	42°	Rp ½	97	40	17°	Rp ½	85	39.5
AEB.E 380-IE AEB.E 550-IE	Rp ½	109.5	42	42°	Rp ½	102	44	17°	Rp ½	91.5	43.5
AEB.E 750-IE AEB.E 1000-IE	Rp ½	128.5	52	42°	Rp ½	119.5	54	17°	Rp ½	105	54.5
AEB.E 1450-IE	Rp ½	133	56	35°	Rp ½	122.5	57	13°	Rp ½	106	58
AEB.E 2700-IE	Rp ¼	155	67	35°	Rp ¼	142	68.5	13°	Rp ¼	122	69.5

Series Size	Connection dimensions for auxiliary connections for shaft seals												
	G0S/G0T with flushing connection			G0Q with quench connection			G0D with sealing connection						
	S ₅ ⊕	u ₅	x ₅	S ₄ ⊕	u ₄	x ₄	S ₆ ⊕	S ₇ ⊕	u ₆	u ₇	x ₆	x ₇	t ₇
AEB.E 50-IE	Rp ¼	46.5	34	Rp ½	56	30.5	Rp ¼	Rp ¼	46.5	71.5	34	33	15°
AEB.E 100-IE	Rp ¼	55	38	Rp ½	63.5	30.5	Rp ¼	Rp ¼	55	79	38	36.5	15°
AEB.E 200-IE	Rp ¼	69.5	41.5	Rp ½	74	33.5	Rp ¼	Rp ¼	69.5	95	41.5	40	15°
AEB.E 380-IE AEB.E 550-IE	Rp ¾	71.5	48.5	Rp ½	79	41	Rp ¾	Rp ¾	71.5	96.5	48.5	47	15°
AEB.E 750-IE AEB.E 1000-IE	Rp ¾	92.5	56	Rp ½	99.5	54	Rp ¾	Rp ¾	92.5	118	56	53.5	20°
AEB.E 1450-IE	Rp ¾	80.5	61	Rp ½	99	57.5	Rp ¾	Rp ¾	80.5	121	61	58.5	20°
AEB.E 2700-IE	Rp ¾	103	71.5	Rp ¼	106.5	68.5	Rp ¾	Rp ¾	103	145	71.5	69	22°

⊕ Threaded connection DIN 3852, shape Z

- ▶ Standard supply
- ▷ Possible supply. In this case, the sealing housing must be turned for designs P02, G0S, G0T, G0Q, G0D.

Pump dimensions, possible branch position,
Weights, suction casing with a square intake controller



Dimensions in mm, nominal width of ANSI flanges (DN) in inches.
Subject to alteration.

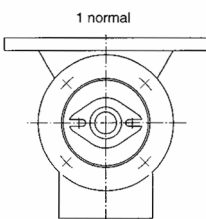
Sense of rotation: counter-clockwise as seen from the driving side

Series Size	Pump dimensions														Max. mass kg
	b	c	e	f	② g ₁	h	m ₁	m ₂	n ₁	n ₂	o ₁	① q	s	L	
AEB1E 50-IE	425	10	75	95	200	90	84	30	19	11	216	165	9	Rp 3/8	24
AEB2E 50-IE	585	10	75	95	200	90	84	30	19	11	216	280	9	Rp 3/8	30
AEB1E 100-IE	511	10	85	105	220	100	93	30	19	11	246	205	9	Rp 3/8	36
AEB2E 100-IE	711	10	85	105	220	100	93	30	19	11	246	365	9	Rp 3/8	41
AEB1E 200-IE	645	13	100	125	260	125	106	38	25	13	296	270	11.5	Rp 1/2	56
AEB2E 200-IE	897	13	100	125	260	125	106	38	25	13	296	470	11.5	Rp 1/2	66
AEB1E 380-IE	769	15	114	140	300	140	110	40	26	14	334	330	14	Rp 3/4	81
AEB2E 380-IE	1075	15	114	140	300	140	110	40	26	14	334	580	14	Rp 3/4	101
AEB1E 550-IE	923	15	114	140	300	140	110	40	26	14	334	430	14	Rp 3/4	92
AEB1E 750-IE	958.5	16	132	168	340	160	128	50	31	19	400	420	18	Rp 3/4	132
AEB2E 750-IE	1358.5	16	132	168	340	160	128	50	31	19	400	780	18	Rp 3/4	170
AEB1E 1000-IE	1070.5	16	132	168	340	160	128	50	31	19	400	490	18	Rp 3/4	153

Series Size	Companion dimensions for suction branch						Companion dimensions for pressure branch							
	A	B	D	E	F	T	DIN 2501, PN 16 ④				ANSI B16.1, Class 125 ③			
							DN ₁	k ②	p ₁ ②	w ②	DN ₁	k ②	p ₁ ②	w ②
AEB1E 50-IE	160	40	210	70	16	12	50	536	320	43	2	532	316	39
AEB2E 50-IE							50	696	480	43	2	692	476	
AEB1E 100-IE	200	42	255	85	16	12	65	634	388	46	2 1/2	633	387	45
AEB2E 100-IE							65	834	588	46	2 1/2	833	587	
AEB1E 200-IE	250	50	315	105	18	14	80	774	478	45	3	772	476	43
AEB2E 200-IE							80	1026	730	45	3	1024	728	
AEB1E 380-IE	300	50	360	120	18	14	100	900	566	43.5	4	902	568	45.5
AEB2E 380-IE							100	1206	872	43.5	4	1208	874	
AEB1E 550-IE	300	50	360	120	18	14	100	1054	720	43.5	4	1056	722	45.5
AEB2E 550-IE							100	1054	720	43.5	4	1056	722	
AEB1E 750-IE	350	50	414	138	20	14	125	1104	704	44	5	1104	704	44
AEB2E 750-IE							125	1504	1104	44	5	1504	1104	
AEB1E 1000-IE	350	50	414	138	20	14	125	1216	816	44	5	1216	816	44

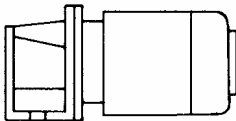
① Stator dismantling dimension ② For rubber coating + 3 mm ④ Up to DN 100 sealing surface DIN 2526 form C machined like form A
 ③ Sealing surface: stock finish From DN 125 sealing surface DIN 2526 Form A

Possible branch positions
as seen from the drive

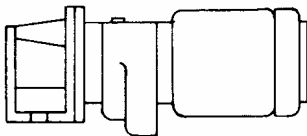


Flange dimensions							
DIN 2501, PN 16 ④				ANSI B16.1, Class 125 ③			
DN ₁	k ₁	d ₁	z	DN ₁	k ₁	d ₁	z
50	125	18	4	2	120.6	19	4
65	145	18	4	2 1/2	139.7	19	4
80	160	18	8	3	152.4	19	4
100	180	18	8	4	190.5	19	8
125	210	18	8	5	215.9	22.2	8

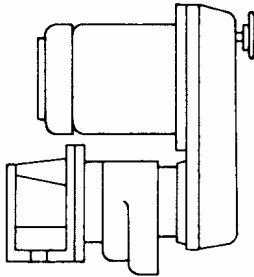
Drive options



AEB-IE with electric motor



AEB-IE with gear motor



AEB-IE with infinitely variable gear

Range of eccentric screw pumps	Series	Number of stages	Maximum output at $\Delta p = 0$ bar		Maximum del. pressure bar	Maximum viscosity mPa·s
			m ³ /h	l/min		
	AE1L-ID	1	162	2700	4	200.000
	AE.E-ID	1,2	450	7500	10	300.000
	AE.N-ID	1,2	290	4850	16	270.000
	AE.H-ID	2,4	174	2900	24	270.000
	AEB1L-IE	1	162	2700	4	200.000
	AEB.E-IE	1,2	174	2900	6	300.000
	AEB.N-IE	1,2	111	1850	12	270.000
	AEB4H-IE	4	12	200	24	270.000
	AE.N...-RG	1,2,4	30	500	20	1.000.000
	TECFLOW	1	162	2700	4	200.000
	SEZP	1,2	21	350	10	1.000.000
	SNZP	1,2	45	750	12	1.000.000
	SNZBP	1,2	45	750	12	1.000.000
	SSP	1,2	48	800	12	150.000
	SSBP	1,2	48	800	12	150.000
	SETP ①	1,2	140	2350	10	300.000
	SETBP	1,2	40	670	10	150.000
	SEFBP	1	40	670	6	150.000
	SMP	1	40	670	6	150.000
	SMP2	1	5,5	92	6	11.500
	AFP	1	2,8	47	6	50.000
	ANP	2	2,5	42	12	20.000
	ANBP	2	2,5	42	12	20.000
	ASP	2	2,5	42	12	20.000
	ASBP	2	2,5	42	12	20.000
	ADP	3	0,6	10	12	20.000
	ADBP	3	0,6	10	12	20.000
	ACNP	1,2	29	480	12	150.000
	ACNBP	1,2	29	480	12	150.000

① Special versions for higher pressures available.

Peristaltic range	Series	Maximum output		Maximum del. Pressure bar	Maximum viscosity mPa·s
		m ³ /h	l/min		
	ASL	2,4	40	4	100.000
	ASH	60	1000	15	100.000

Macerator range	Series	Maximum throughput m ³ /h	Generated delivery head m
	ABM ... S-1	80 at 3 % solids	3
	AM ... I-1	160 at 3 % solids	-
	ABM ... I-1	80 at 3 % solids	-

Accessories

Pump: Stator setting devices, electrical heaters, bridge breakers.
Drivers: Electric motors, geared motors, variable speed transmissions, reduction gearboxes, internal combustion engines, pneumatic and hydraulic drives.
Transmission components: Couplings, V-belt transmissions, toothed belt transmissions, other types of transmission.
Base plates: Standard and special versions, wheeled trolleys, mounting flanges.
Safety arrangements: Bypass lines with safety or regulating valves, systems to guard against dry running (conductive, capacitive, thermal etc.).
Other accessories: Electrical, hydraulic and pneumatic control arrangements, filter systems, metering equipment, seal liquid and circulating systems for shaft seals, valves, flanges, flexible pipes.

Subject to technical alterations.



ALLWEILER GmbH
 Werk Bottrop
 Postfach 200123 · 46223 Bottrop
 Kirchhellener Ring 77-79 · 46244 Bottrop
 Germany
 Tel. +49 (0)2045 966-60
 Fax +49 (0)2045 966-679
 E-Mail: service-ge@allweiler.de
 Internet: http://www.allweiler.com