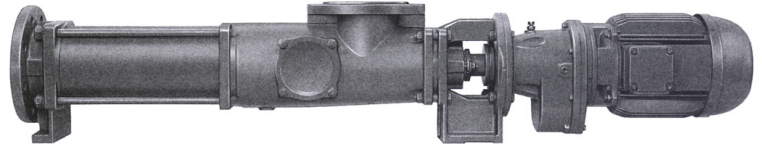


Eccentric Screw Pumps in Block Design

Series AEB1N, AEB2N Design IE



Application

For handling liquid to highly viscous, neutral or aggressive, uncontaminated or abrasive liquids, liquids containing gases or which tend to froth, also containing fibers and solid matter.

In waste water and waste water treatment engineering, chemical and petrochemical industry, paper and cellulose industry, soap and fats industry, paint and lacquer industry, food and beverage industry, plastics industry, ceramics industry, agriculture sugar industry and in shipbuilding.

Operating

Self-priming, single or two-stage, rotary positive displacement pump. Conveying elements are the rotating eccentric screw (rotor) and the fixed stator. In the cross-sectional plane, both are in contact with one another at two points forming two sealing lines along the length of the conveying elements. The contents of the sealed chambers which are formed as the rotor turns, are displaced axially and with complete continuity from the suction to the delivery end of the pump. Despite rotor rotation, there is no turbulence. The constant chamber volume excludes squeezing, thus ensuring an extremely gentle low-pulsating delivery.

Design features

The pump and drive are held together by the bearing bracket to form a modular unit

By means of external casing connecting screws (clamping screws), the pressure casing, stator and suction casing are interconnected. The suction casings are designed particularly favorable to flow. The pump sizes 100 to 1450 are supplied in cast iron and are provided with staggered holes for cleaning. The stator vulcanized into a tube or shell casing (even elastomer wall thickness) is provided with external collars vulcanized to it on both sides, reliably sealing towards the suction casing and delivery casing and protecting the stator shell from corrosion.

Stators are supplied:

with uneven wall thickness:
single-stage for all sizes,
two-stage for all sizes

with even wall thickness:
single-stage not for sizes 25, 50
two stage not for sizes 25, 50

The exchangeable shaft sealing housing or mechanical seal housing (subsequent conversion to another sealing variant is possible) are arranged between the suction casing and bearing bracket.

The torque of the drive is transmitted over the driving shaft and the joint shaft onto the rotor. On both sides, the joint shaft ends in liquid-tight encapsulated bolt joints, which are of particularly simple and sturdy design and easily absorb the eccentric movement of the rotor.

Shaft seal

By uncooled, cooled or heated stuffing box or by uncooled or cooled maintenance-free unbalanced, single or double-acting mechanical seal.

Material pairing and design are adapted to the respective operating conditions. For further data, refer to pages 4, 5.

The stuffing box or mechanical seal housings of the various shaft sealing types are interchangeable within one size. The various mechanical seal housing parts form a modular construction system and, in case of conversion to a different mechanical seal design, can be easily combined with one another.

Installation spaces for mechanical seals according to DIN 24 960 (except for double mechanical seal).

For further information, refer to pages 4, 5, 6 and 7.

Technical data

Deliveries, admissible speed ranges and required drive powers are to be taken from the performance graph on page 3 and/or the separate individual characteristic curves.

				AEB1N	AEB2N
Delivery	Q		to	1850	
Temperature of fluid pumped	t	°C ①	to	100	
Delivery pressure					
single-stage	Δp	bar	to	6 ②	–
two-stage	Δp	bar	to	–	12
Pump outlet pressure	p _d	bar ④	to	16	
Attainable underpressure	p _s	bar ③	to	0,95	
Viscosity	η	mPa·s ③	to	270.000	
Admissible solids content	Vol% ③		to	60	

The mentioned performance data are to be considered as a product and performance abstract only. The particular operating limits can be taken from the quotation or order acknowledgement.

Max. admissible grain sizes and fiber lengths

Size		25	50	100	200	380
max. grain size	mm	2,5	3	3,8	5	6,8
max. fiber length	mm	42	42	48	60	79

Size		750	1450
max. grain size	mm	9,5	14
max. fiber length	mm	98	130

Increasing solids content and increasing grain size require a reduction of the pump speed:

- ① depending upon the fluid to be pumped and the elastomers employed
- ② 12 bar in the case of the stator with even elastomer wall thickness
- ③ depending on the pump size/design, speed and fluid to be pumped
- ④ depending on the direction of rotation, inlet pressure.

Bearings

The driving and the joint shaft are situated in the reinforced bearings of the electric motors, gear motors or control gear which also absorb the generated axial forces.

As all drives are only supplied with reinforced bearings it must be assured that the assigned pumps can be run at full capacity within their permissible application limits.

Drive

The drive can be provided by non-explosion-proof or explosion-proof three-phase motors, gear motors or control gear. For drive options see page 12. For technical data and dimensions, please refer to the separate sales documentation, data sheet 19-00-0000-111-3.

A considerable advantage is the fact that within a pump size the connection dimensions for all drive types are the same. This allows a later change to a different drive type or size.

Installation

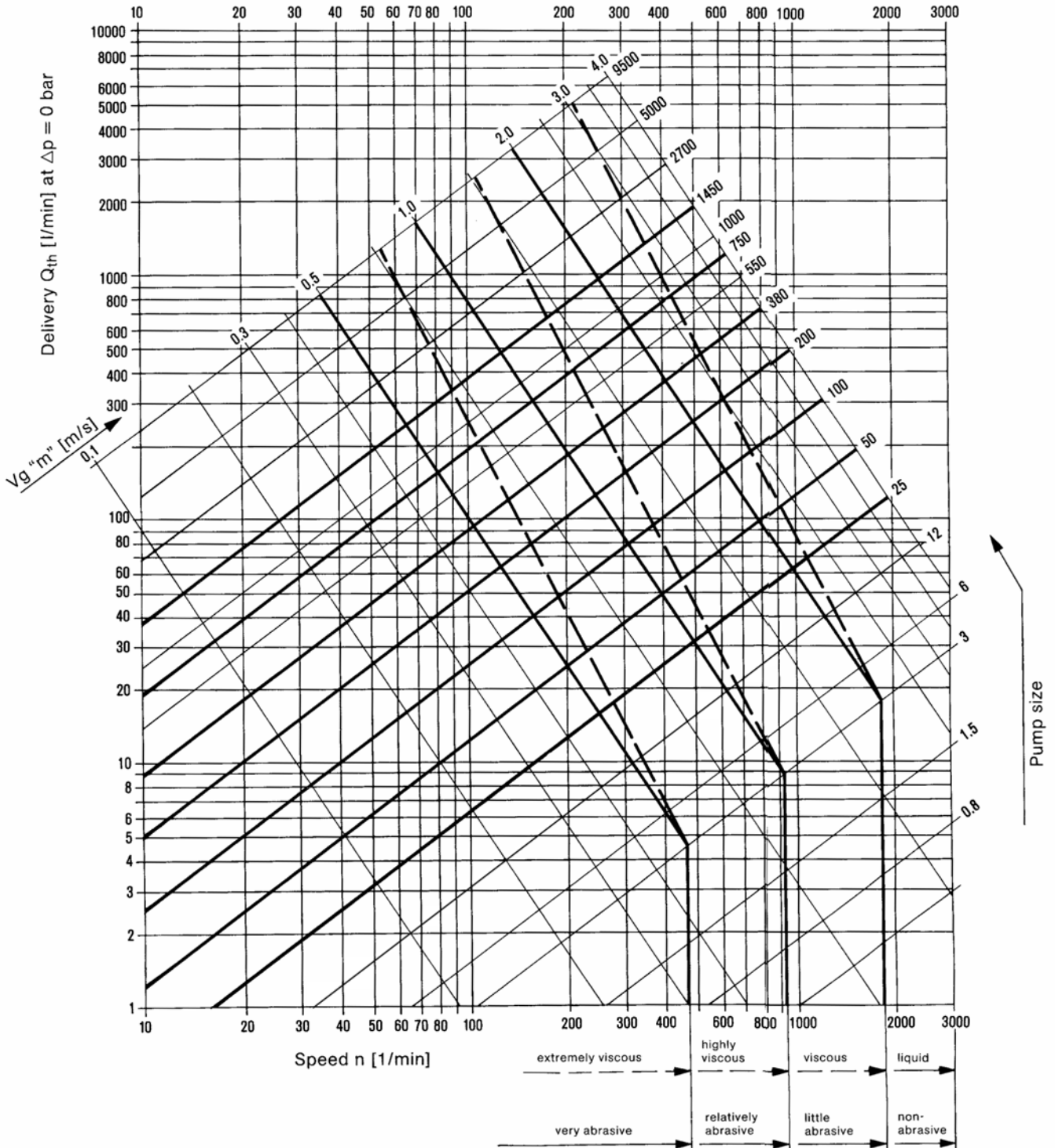
AE pumps may be installed horizontally or vertically. In case of vertical arrangement, "shaft shank downwards" is not admissible.

Exchangeability of components

The components of all eccentric screw pumps are of a modular design. This allows a simple and cost-effective spare parts management even if different series and designs of pumps are used.

Performance graph

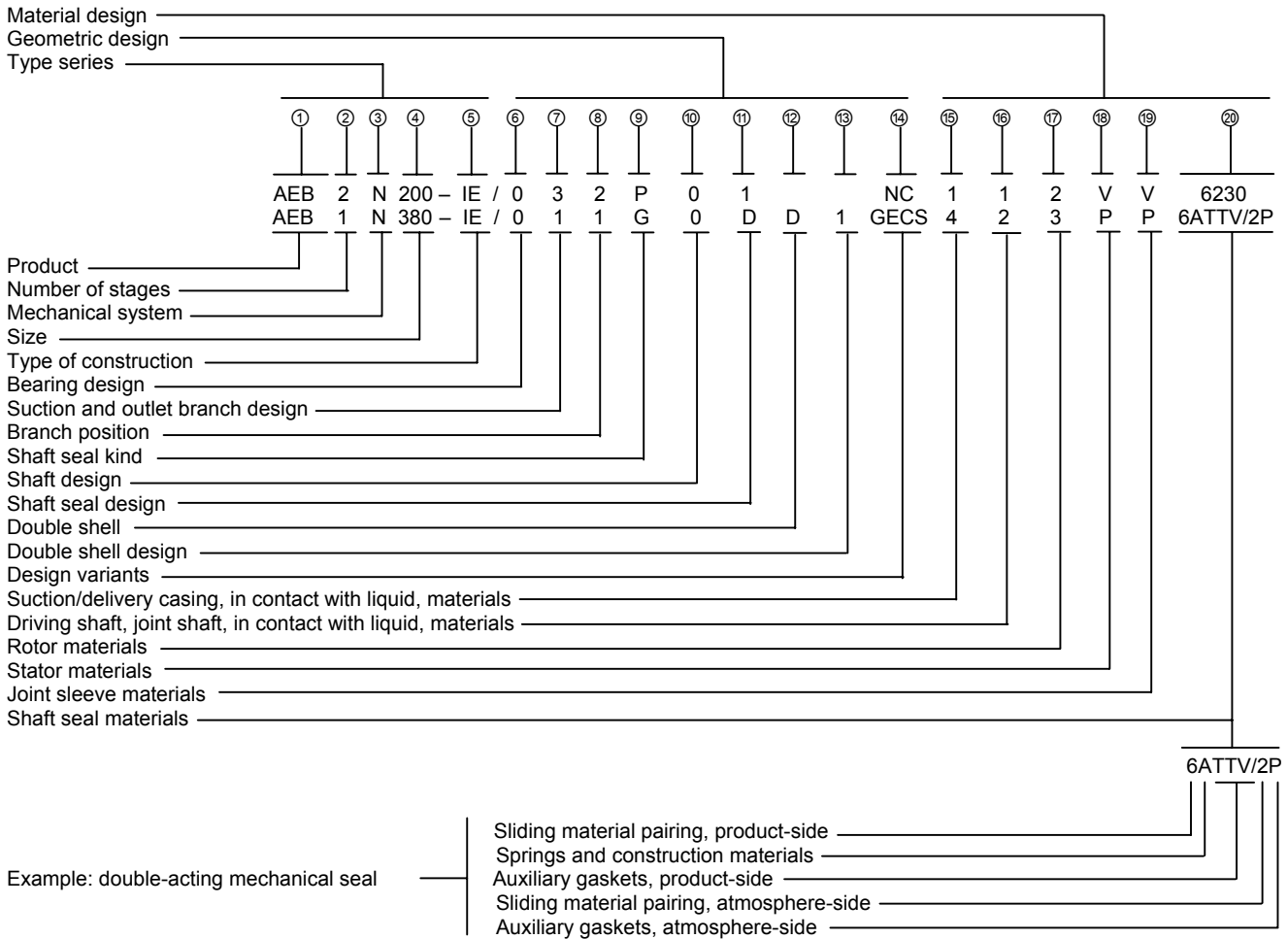
For a rough selection of the pump size and speed as a function of the requested delivery and kind of fluid to be pumped. V_g "m" = available, mean sliding speed of the rotor in the stator.



Sizes of the series AEB1N, AEB2N. Data on the performance range not covered by AEB series are to be taken from the last page of this brochure and/or the individual brochures of the other series.

For exact performance data, please refer to the individual characteristics..

Type code

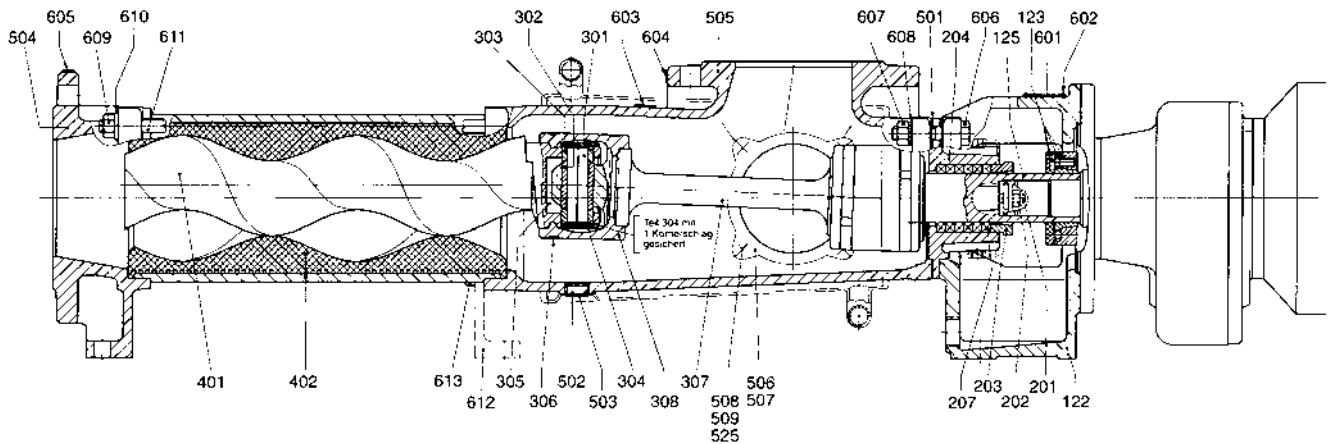


Explanations to the type code:

Position in type code	Designation	Design
①	Product	ALLWEILER eccentric screw pumps
②	Number of stages	1 = single-stage up to delivery pressure Δp 6 bar (Δp 12 bar for stators with even elastomer wall thickness) 2 = two-stage up to Δp = 12 bar (sizes 550, 1000 only available as single-stage)
③	Mechanical system	N = rated for delivery pressure Δp 12 bar
④	Size	Possible sizes: 25, 50, 100, 200, 380, 750, 1450. The numbers indicate the theoretic delivery in l/min with $n = 400$ 1/min and $\Delta p = 0$ bar
⑤	Design	IE = Industrial design with external bearing
⑥	Bearing design	0 = external bearing in drive unit
⑦	Suction and outlet branch design	1 = DIN flanges 3 = ANSI flanges X = Suction and/or delivery branch of special design } according to dimensional sheet, pages 9 and 10
⑧	Branch position	1, 2, 3, 4 – For arrangement please refer to the representation, page 9. Arrangement 3 is not possible for size 25.
⑨	Shaft seal type	P = Stuffing box or other non-mechanical shaft seal G = Mechanical seal (mechanical shaft seal)
⑩	Shaft design	0 = Shaft without shaft sleeve
⑪	Shaft seal design	Stuffing boxes P01 = Stuffing box of normal design (without sealing chamber ring / without flushig ring) P02 = Stuffing box with flushing ring P03 = Stuffing box with internal sealing chamber ring P04 = Stuffing box with external sealing chamber ring P0X = Non-mechanical shaft seal of special design

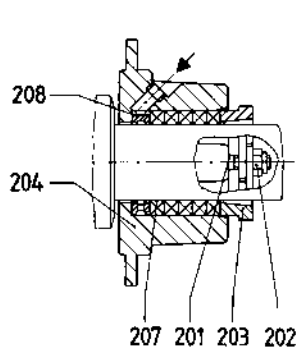
⑪	Shaft seal design (continued) X=design possible	Mechanical seals							
		for pump sizes	25	50	100	200	380	750	1450
		Shaft diameter at the location of the shaft seal	25	30	35	43	53	60	75
		G0K = individual mechanical seal, DIN 24 960, design K, shape U	X	X	X	X	X	X	X
		G0N = as above, however design N	X	X	X	X	X	X	X
		G0S = individual mechanical seal, DIN 24 960, design K, shape U, rotating part with integrated locking device and pump-sided throttling ring	X	X	X	X	X	X	X
		G0T = as above, however design N	X	X	X	X	-	X	X
		G0Q = individual mechanical seal, DIN 24 960, design K, shape U with quench	X	X	X	X	X	X	X
		G0D = double mechanical seal	①	①	①	①	①	①	①
		G0X = mechanical seal of special design							
① design available on request									
⑫	Double shell	D = Double shell for heating/cooling, available in stainless steel only. Connections as threaded nipples for liquid media. Maximum heating/cooling pressure 6 bar, maximum heating temperature + 100°C, maximum cooling temperature -40°C							
⑬	Double shell design	1 = Suction case with double shell 2 = Stuffing box for P01 with double shell 12 = Suction and shaft sealing housing P01 with double shell X = Special design for other double shells							
⑭	Design variants	Stator with uneven elastomer wall thickness (all qualities)				Stator with even elastomer wall thickness (all qualities)			
		N M H T	Rotor with temperature play as a function of the temperature of the fluid pumped			D E F R	Rotor with temperature play as a function of the temperature of the fluid pumped		
		C = Rotor hard chromium-plated Y = Rotor ductile hard chromium-plated Z = Rotor metallicly coated S = Worm on joint shaft	W = Winding protection on joint shaft G = Stator with even elastomer wall thickness X = other designs						
⑮	Suction and delivery casing in contact with fluid, materials	1 = gray cast iron EN-GJL-250 3 = gray cast iron EN-GJL-250, inside H-rubberized 4 = 1.4408 A = 1.4462 X = Special materials							
⑯	Driving shaft, joint shaft casing in contact with fluid, materials	1 = 1.4021 2 = 1.4301/1.4571/1.4462 4 = 1.4571/1.4462 A = 1.4462 X = Special materials, i.e. also for articulated components							
⑰	Rotor materials	2 = 1.4301 3 = 1.2436/1.2379	4 = 1.4571 X = Special materials, e.g. other metals, plastic materials	A = 1.4462					
⑱	Stator materials	WB = Caoutchouc soft	YL = Chlorosulfonated polyethylene (CSM) bright	PE = Polyethylene					
		P = Acrylonitrile-butadiene rubbers (NBR) PL = Acrylonitrile-butadiene rubbers (NBR) bright N = Polychloroprene (N) Y = Chlorosulfonated polyethylene (CSM)	V = Fluoroelastomer (FPM) HP = Acrylonitrile-butadiene rubbers hydrated (HNBR) SL = Silicone bright PU = Polyurethan	PT = Teflon glass fiber reinforce E = EPDM X = Special materials					
⑲	Joint sleeve Materials	P = Acrylonitrile-butadiene rubbers (NBR) PL = Acrylonitrile-butadiene rubbers (NBR) bright N = Polychloroprene (N)	Y = Chlorosulfonated polyethylene (CSM) V = Fluoroelastomer (FPM) B = Butyl caoutchouc	X = Special materials					
⑳	Shaft seal materials	Stuffing box: 5846 = Ramie fiber with PTFE impregnation, asbestos-free 6426 = Aramid endless fiber with PTFE impregnation, asbestos-free 6230 = Graphite-incorporated PTFE with sliding means, asbestos-free							
		Mechanical seal:							
		Sliding material pairing	Spring and constr. materials		Auxiliary gaskets				
		1st point for single gasket 1st + 4th point for double gasket	2nd point		3rd point for single gasket 3rd + 5th points for double gasket				
		2 = CrMo cast iron/hard carbon 4 = Ceramics/hard carbon 5 = Hard metal/hard metal, highly wear-resistant 6 = Silicon carbide/silicon carbide highly wear-resistant, corrosion-resistant 7 = Silicon carbide/silicon carbide highly wear-resistant, highly corrosion-resistant X = Special materials	A = 1.4300 F = 1.4571 L = Hastelloy B M = Hastelloy C4 X = Special materials		P = Acrylonitrile-butadiene rubbers (NBR) double E = EP caoutchouc PTFE-coated S = Silicon caoutchouc N = Polychloroprene (N) V = Fluoroelastomer (FPM) TTE = EP caoutchouc □ TTV = Fluoroelastomer (FPM) □ TTS = Silicon caoutchouc □ X = Special materials				

Sectional drawing and components list



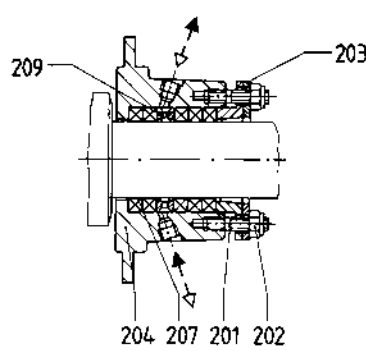
Bearing 0: External bearing in drive unit

Shaft seal P01: Due to particularly great packing length, versatile, admissible pressure at the shaft seal $p = -0.7$ to 16 bar.



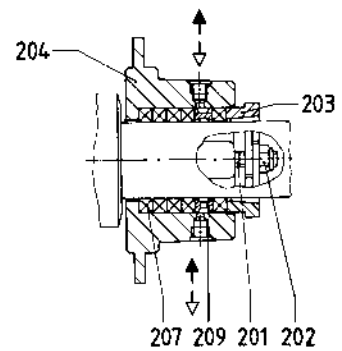
P02 Stuffing box with flushing ring

To be employed for very abrasive fluids pumped with external flushing
 $p = -0.7$ to 12 bar



P03 Stuffing box with internal sealing chamber ring

To be employed for pure fluids with internal sealing or for abrasive fluids with external sealing
 $p = -0.8$ to 6,0 bar



P04 Stuffing box with internal sealing chamber ring

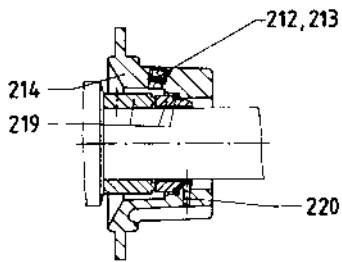
To be employed in case of incompatibility of the external sealing liquid with the fluid pumped or if air inlet is to be avoided
 $p = -0.9$ to 12 bar

Part No.	Denomination
122	Bearing bracket
123	Tensioning set
125	Driving shaft
201	Stud bolt
202	Self-locking nut
203	Gland half
204	Shaft sealing housing
207	Stuffing box
208	Flushing ring
209	Sealing chamber ring
212	Screw plug
213	Joint tape

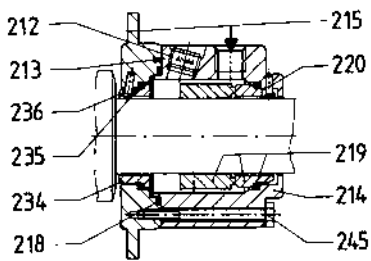
Part No.	Denomination
214	Mechanical seal housing
215	Mechanical seal cover
218	O-ring
219	Mechanical seal
220	Locking pin
232	Shaft seal ring
234	Throttling ring
235	O-ring
236	Locking pin
245	Hexagon screw
251	Sealing compound
301	Joint bolt

Part No.	Denomination
302 ①	Joint bush
303	Bush for joint bolt
304	Joint sleeve
305	Joint lubricant
306	Joint clamp
307	Joint shaft
308	Joint collar
401	Rotor
402	Stator
403	Stator gasket delivery-side
404	Stator gasket suction-side
501	Gasket for suction casing

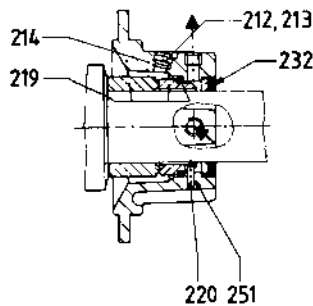
① not fitted to size 25



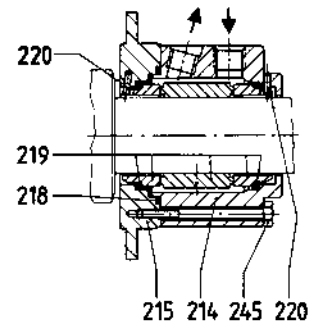
GOK/GON Single mechanical seal, DIN 24 960, K/N design, U shape. For employment, please inquire, P = -0.5 to 16 bar



GOS/GOT Single mechanical seal, DIN 24 960, K/N design, U shape. Integrated locking device with flushing liquid connection and pump-side throttling ring. For employment, please inquire, p = -0.5 to 16 bar



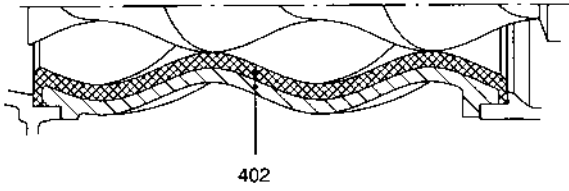
GOQ Single mechanical seal, DIN 24 960, K design, U shape with quench. For employment, please inquire, p = -0.5 to 16 bar



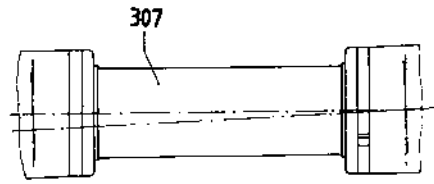
GOD Double mechanical seal with sealing liquid connection. For employment, please inquire, p = -0.95 to 16 bar

Part No.	Denomination
502	Screw plug
503	Joint tape
504	Delivery casing
505	Suction casing
506	Suction casing cover
507	Gasket
508	Stud bolt
509	Hexagon nut
525	Washer
601	Type plate
602	Round head grooved pin
603	Information plate commissioning

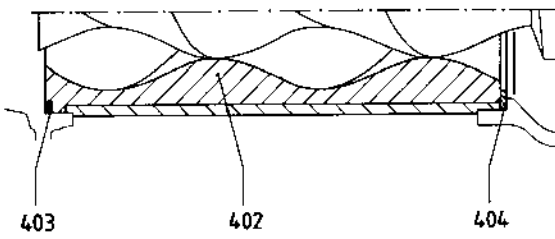
Part No.	Denomination
604	Information plate suction
605	Information plate pressure
606	Hexagon screw
607	Hexagon nut
608	Fan-type lock washer
609	Hexagon nut
610	Washer
611	Clamp bolt
612	Support
613	Hexagon screw



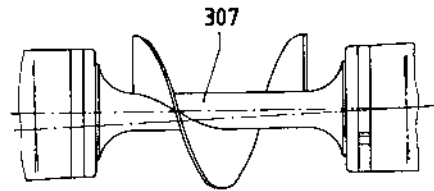
Stator with even wall thickness



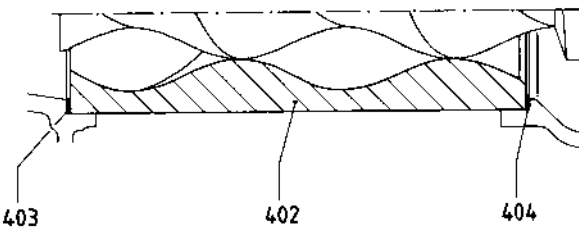
Winding protection on joint shaft



Plastic stator

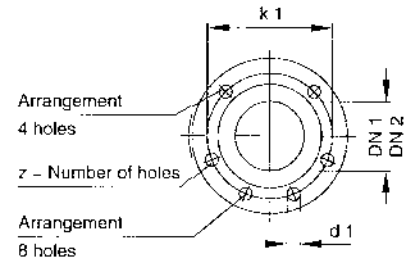
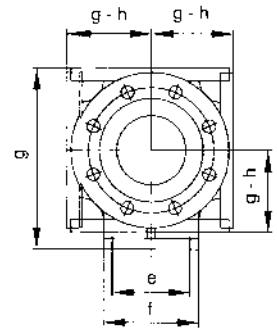
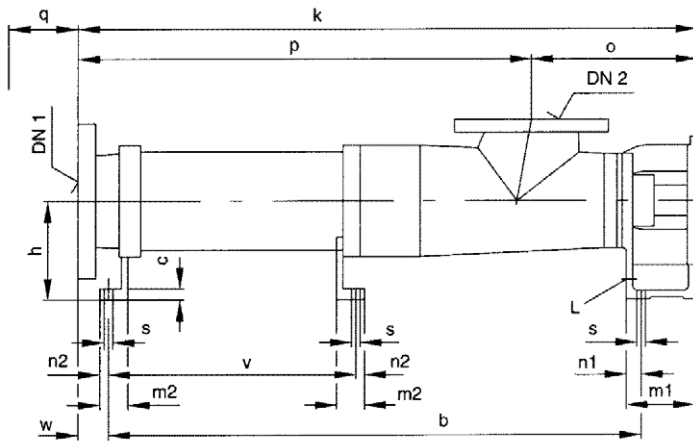


Worm on joint shaft



Metal stator

Pump dimensions, auxiliary connections, possible branch positions, weights



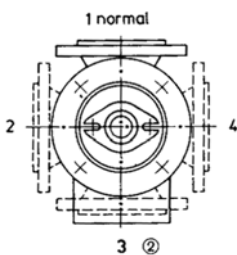
Dimensions in mm, nominal width of ANSI flanges (DN) in inches. Subject to alteration.

Sense of rotation: normally counter-clockwise as seen from the driving side with DN₁ = outlet branch, DN₂ = suction branch, change of rotation possible, then, DN₁ = suction branch, DN₂ = outlet branch

Series Size	Pump dimensions														max. mass kg
	b	c	e	f	h	m ₁	m ₂	n ₁	n ₂	O	① q	s	L	v	
AEB1N 25-IE	389	10	75	95	90	84	30	19	11	162	170	9	Rp 3/8	-	
AEB2N 25-IE	515	10	75	95	90	84	30	19	11	162	215	9	Rp 3/8	-	
AEB1N 50-IE	467	10	85	105	100	93	30	19	11	185	210	9	Rp 3/8	-	
AEB2N 50-IE	627	10	85	105	100	93	30	19	11	185	285	9	Rp 3/8	-	
AEB1N 100-IE	592	13	100	125	125	106	38	25	13	220	270	11,5	Rp 1/2	-	
AEB2N 100-IE	792	13	100	125	125	106	38	25	13	220	370	11,5	Rp 1/2	-	
AEB1N 200-IE	708	15	114	140	140	110	40	26	14	241,5	330	14	Rp 3/4	-	
AEB2N 200-IE	960	15	114	140	140	110	40	26	14	241,5	470	14	Rp 3/4	-	
AEB1N 380-IE	853,5	16	132	168	160	128	50	31	19	292	410	18	Rp 3/4	-	
AEB2N 380-IE	1159,5	16	132	168	160	128	50	31	19	292	590	18	Rp 3/4	-	
AEB1N 750-IE	1061,5	16	164	200	180	131	50	31	19	316	520	18	Rp 3/4	-	
AEB2N 750-IE	1461,5	16	164	200	180	131	50	31	19	316	780	18	Rp 3/4	-	
AEB1N 1450-IE	1315	21	200	245	225	153	63	40	23	383	640	22	Rp 1	-	
AEB2N 1450-IE	1820	21	200	245	225	153	63	40	23	383	980	22	Rp 1	1091	

① Stator dismantling dimension

Possible branch positions as seen from the drive



② not for size 25

Flange dimensions

DIN 2501, PN 16 ⑤				ANSI B16.1/16.5, Class 125/150 ④			
DN ₁ /DN ₂	k ₁	d ₁	z	DN ₁ /DN ₂	k ₁	d ₁	z
40	110	18	4	1 1/2	98,4	15,9	4
50	125	18	4	2	120,6	19	4
65	145	18	4	2 1/2	139,7	19	4
80	160	18	8	3	152,4	19	4
100	180	18	8	4	190,5	19	8
125	210	18	8	5	215,9	22,2	8
150	240	22	8	6	241,3	22,2	8

Series

Connection dimensions for suction and outlet branch

Size	Flange DIN 2501, PN 16 ③						Flange ANSI B16.1, Class 125 ④						Flange ANSI B16.5, Class 150 ④					
	DN ₁	DN ₂	k	p	w	g	DN ₁	DN ₂	k	p	w	g	DN ₁	DN ₂	k	p	w	g
AEB1N 25-IE	40	40	498	336	41	175	1 ½	1 ½	495	333	38	172	1 ½	1 ½	498	336	41	175
AEB2N 25-IE			624	462					621	459					624	462		
AEB1N 50-IE	50	50	587	402	43	190	2	2	583	398	39	186	2	2	587	402	43	190
AEB2N 50-IE			747	562					743	558					747	562		
AEB1N 100-IE	65	65	716	496	40	230	2 ½	2 ½	715	495	39	229	2 ½	2 ½	720	500	44	234
AEB2N 100-IE			916	696					915	695					920	700		
AEB1N 200-IE	80	80	839,5	598	44	260	3	3	837,5	596	42	258	3	3	842,5	601	47	263
AEB2N 200-IE			1091,5	850					1089,5	848					1094,5	853		
AEB1N 380-IE	100	100	996	704	41	300	4	4	998	706	43	302	4	4	998	706	43	302
AEB2N 380-IE			1302	1010					1304	1012					1304	1012		
AEB1N 750-IE	125	125	1209	893	44	350	5	5	1209	893	44	350	5	5	1209	893	44	350
AEB2N 750-IE			1609	1293					1609	1293					1609	1293		
AEB1N 1450-IE	150	150	1485	1102	53	425	6	6	1485	1102	53	425	6	6	1485	1102	53	425
AEB2N 1450-IE			1990	1607					1990	1607					1990	1607		

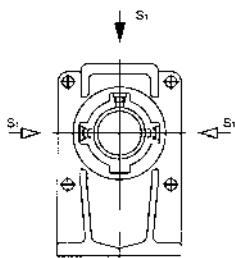
③ for rubber-coating + 3 mm

④ up to DN 100 sealing surface DIN 2526 shape, C machined as shape A

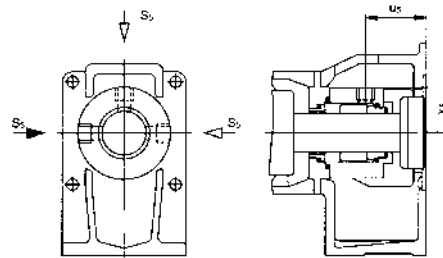
⑤ Sealing surface: stock finish

from DN 125 sealing surface DIN 2526 shape A

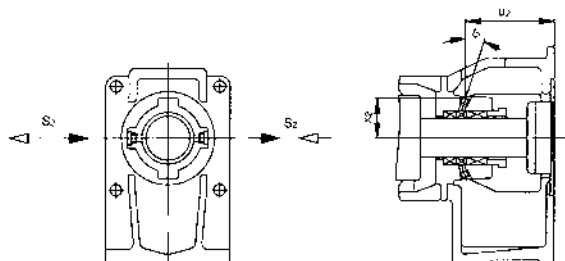
Arrangement of auxiliary connections for shaft seals



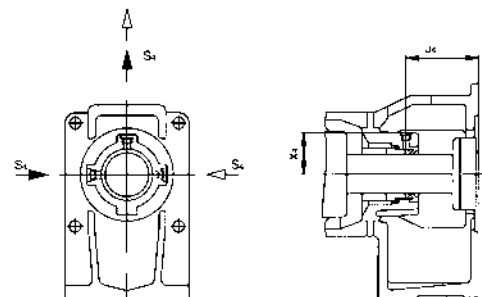
P02 with flushing rod



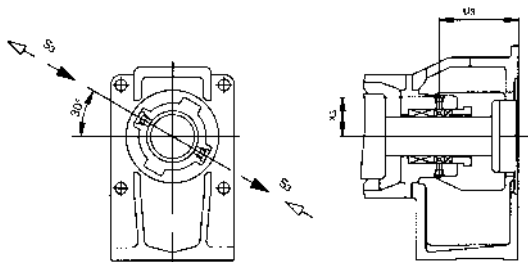
G0S/G0T with flushing connection



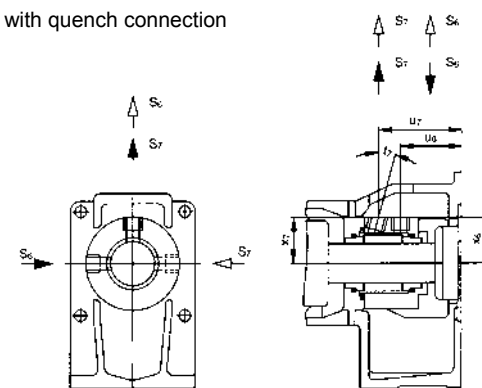
P03 with internal sealing chamber ring



G0Q with quench connection



P04 with external sealing chamber ring



G0D with sealing connection

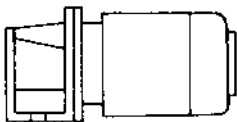
Series Size	Connection dimensions for auxiliary connections for shaft seals											
	P02 with flushing ring				P03 with internal sealing chamber ring				P04 with external sealing chamber ring			
	S ₁ ⑥	u ₁	x ₁	t ₁	S ₂ ⑥	u ₂	x ₂	t ₂	S ₃ ⑥	u ₃	x ₃	
AEB.N 25-IE	M 8 x 1	84	28	42°	M 8 x 1	77	30	20°	M 8 x 1	69	30,5	
AEB.N 50-IE	M 8 x 1	93	31,5	40°	M 8 x 1	87	32	20°	M 8 x 1	78,5	33,5	
AEB.N 100-IE	Rp ½	104,5	38	42°	Rp ½	97	40	17°	Rp ½	85	39,5	
AEB.N 200-IE	Rp ½	109,5	42	42°	Rp ½	102	44	17°	Rp ½	91,5	43,5	
AEB.N 380-IE	Rp ½	128,5	52	42°	Rp ½	119,5	54	17°	Rp ½	105	54,5	
AEB.N 750-IE	Rp ½	133	56	35°	Rp ½	122,5	57	13°	Rp ½	106	58	
AEB.N 1450-IE	Rp ¼	155	67	35°	Rp ¼	142	68,5	13°	Rp ¼	122	69,5	

Series Size	Connection dimensions for auxiliary connections for shaft seals													
	G0S/G0T with flushing connection			G0Q with quench connection			G0D with sealing connection							
	S ₅ ⑥	u ₅	x ₅	S ₄ ⑥	u ₄	x ₄	S ₆ ⑥	S ₇ ⑥	u ₆	u ₇	x ₆	x ₇	t ₇	
AEB.N 25-IE	Rp ¼	46,5	34	Rp ½	56	30,5	Rp ¼	Rp ¼	46,5	71,5	34	33	15°	
AEB.N 50-IE	Rp ¼	55	38	Rp ½	63,5	30,5	Rp ¼	Rp ¼	55	79	38	36,5	15°	
AEB.N 100-IE	Rp ¼	69,5	41,5	Rp ½	74	33,5	Rp ¼	Rp ¼	69,5	95	41,5	40	15°	
AEB.N 200-IE	Rp ½	71,5	48,5	Rp ½	79	41	Rp ½	Rp ½	71,5	96,5	48,5	47	15°	
AEB.N 380-IE	Rp ½	92,5	56	Rp ½	99,5	54	Rp ½	Rp ½	92,5	118	56	53,5	20°	
AEB.N 750-IE	Rp ½	80,5	61	Rp ½	99	57,5	Rp ½	Rp ½	80,5	121	61	58,5	20°	
AEB.N 1450-IE	Rp ½	103	71,5	Rp ¼	106,5	68,5	Rp ½	Rp ½	103	145	71,5	69	22°	

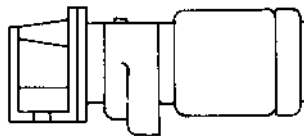
⑥ Threaded connection DIN 3852, shape Z

- ▶ Standard supply
- ▷ Possible supply. In this case, the sealing housing must be turned for designs P02, G0S, G0T, G0Q, G0D.

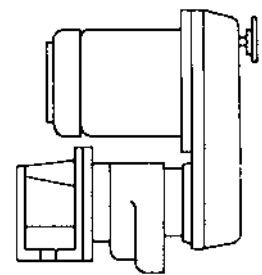
Drive options



AEB-IE with electric motor



AEB-IE with gear motor



AEB-IE with infinitely variable gear

Standard eccentric screw pumps	Series	Number of stages	Max. flow rate at $\Delta p = 0$ bar		Max. pump pressure bar	Max. viscosity mPa·s
			m ³ /h	l/min		
			AE1L-ID	1		
AE.E-ID	1,2	450	7500	10	300.000	
AE.N-ID	1,2	290	4850	16	270.000	
AE.H-ID	2,4	174	2900	24	270.000	
AEB1L-IE	1	186	3100	4	200.000	
AEB.E-IE	1,2	174	2900	6	300.000	
AEB.N-IE	1,2	111	1850	12	270.000	
AEB4H-IB	4	12	200	24	270.000	
AED.E-ID	1	720	12000	8	250.000	
AED.N-ID	2	450	7500	16	225.000	
AEDB.E-IE	1	258	4300	6	250.000	
AEDB.N-IE	2	174	2900	12	225.000	
AE.N...RG	1,2,4	30	500	20	1.000.000	
TECFLOW	1	186	3100	4	200.000	
SEZP	1,2	21	350	10	1.000.000	
SNZP	1,2	45	750	12	1.000.000	
SNZBP	1,2	45	750	12	1.000.000	
SSP	1,2	48	800	12	150.000	
SSBP	1,2	48	800	12	150.000	
SETP ①	1,2	140	2350	10	300.000	
SETBP	1,2	40	670	10	150.000	
SEFBP	1	40	670	6	150.000	
SMP	1	40	670	6	150.000	
SMP2	1	5,5	92	6	11.500	
AFP	1	2,8	47	6	50.000	
ANP	2	2,5	42	12	20.000	
ANBP	2	2,5	42	12	20.000	
ASP	2	2,5	42	12	20.000	
ASBP	2	2,5	42	12	20.000	
ADP	3	0,6	10	12	20.000	
ADBP	3	0,6	10	12	20.000	
ACNP	1,2	29	480	12	150.000	
ACNBP	1,2	29	480	12	150.000	

① special higher-pressure version available

Standard peristaltic pumps	Series	Max. flow rate		Max. pump pressure bar	Max. viscosity mPa·s
		m ³ /h	l/min		
ASL		2,4	40	4	100.000
ASH		60	1000	15	100.000

Standard macerators	Series	Max. flow volume	Intrinsic pump head
		m ³ /h	m
AM...S-1		80 bei 3%	3
ABM...S-1		80 bei 3%	3
AM...I-1		160 bei 3%	-
ABM...I-1		80 bei 3%	-

Accessories

Pump accessories: Status adjustment equipment, electric heating devices, bridge breakers

Drives: Electric motors, gear motors, adjustable gears, reduction gears, internal combustion engines, pneumatic and hydraulic drives

Power-transferring parts: Couplings, belt drives, toothed belt drives, other transmission devices

Base plates: Standard and special versions available, mobility equipment, assembly flanges

Safety devices: Bypass lines with safety and control valves, dry-running protection systems (conductive, capacitive, thermal, etc.)

System accessories: Electric, hydraulic, or pneumatic control devices; collector systems, metering equipment, barrier fluid and circulation systems for shaft seals, fittings, flanges, hoses

Subject to technical alterations



ALL FLUIDS. NO LIMITS.

ALLWEILER GmbH
 Postfach 200123 · 46223 Bottrop
 Kirchhellener Ring 77-79 · 46244 Bottrop
 Germany
 Tel. +49 (0)2045 966-60
 Fax +49 (0)2045 966-679
 E-Mail: service-ge@allweiler.de
 Internet: <http://www.allweiler.com>