

## List of components

Valid for all LPD pumps, size 015 and 020. Rotor lead and generation: N1

With version codes: I } V } B } P }

The version code is composed of the letters in the 4 columns.

Also valid for pump options A373 & A394.

Example of pump designations std: LPD 020 N1 IVBP

Pos No	Part Denomination	Qty	Spare parts set:					Note
			G011 Rotor set	G050 Shaft seal	G053 Minor kit	G057 Joint kit	G070 Valve element	
1010	Power rotor	1	x					
134	Locking screw	1	x		x	x		1
162	Shaft sleeve	1	x		x	x		1
201	Idler rotor	2	x					
401	Pump body	1						
453	Screw	4						
509	Mechanical seal	1		x	x			
514	Retaining ring	1						
520	Front cover	1						
521	O-ring	1			x	x		
551	Rear cover	1						
556	Gasket	1			x	x		
605	O-ring	1			x	x	x	
608	Valve set screw	1					x	
608A	Locking clamp	1					x	
608B	Screw	2					x	
608C	Pin	1					x	
6120	Regulating nut	1					x	
(613)	Tension pin	1					x	
614	Valve piston	1					x	
615	Spring	1					x	
622	Screw	2						
623	Plate	1						

**Note:** 1) Included in 1010

When ordering spare parts, please state the complete pump identification according to its name plate and required spare part set or the required parts position number.

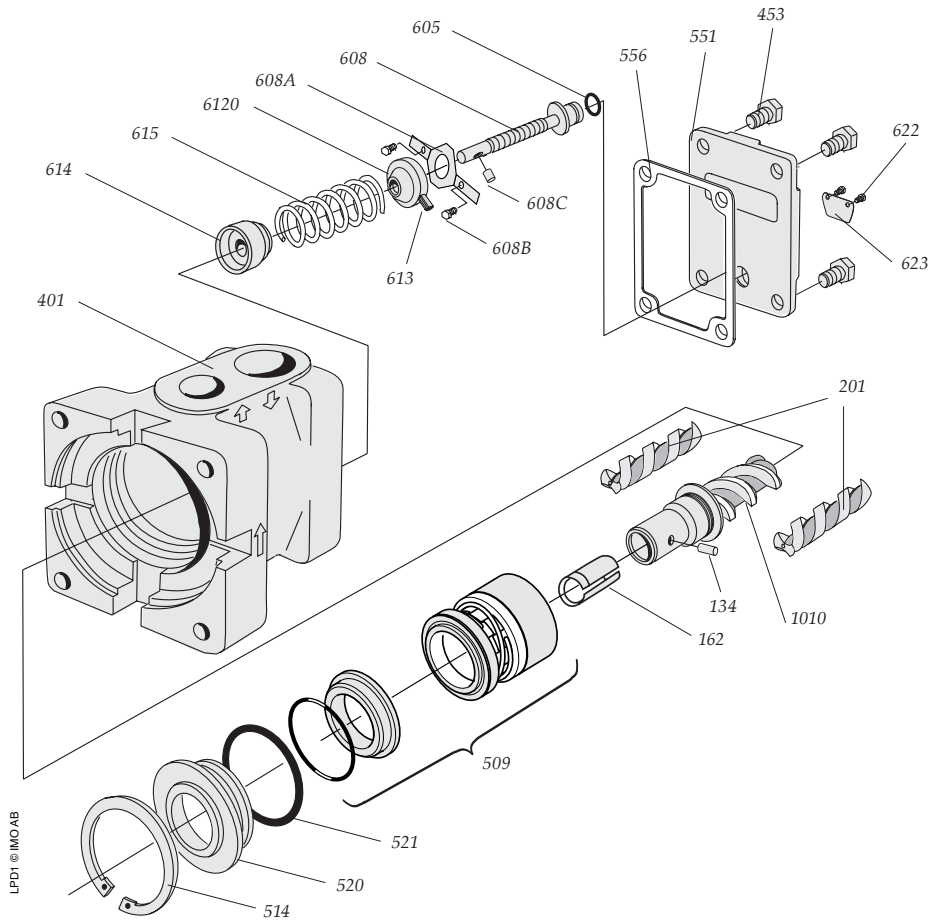
### Explanations:

A373: Pump with adjustable valve without valve spring for ekmotor IEC 63 with F115 frame

A394: Pump with adjustable valve without valve spring for elmotor IEC 63 with F130 frame

**Exploded view**

LPD



**Ordering code**

Pos No	Spare parts (set)	p/n for pump size		Note	
		015	020		
Pump	LPD xxxN1 IVBP	190443	190437		
	LPD 015N1 IVBP A373	189947	--		
	LPD 015N1 IVBP A394	190788	--		
G011	Rotor set	ccw-rotation	190767	190768	1
G050	Shaft seal		190334	190334	
G053	Minor kit		190783	190783	
G057	Joint kit		190740	190740	
	"	A373, A394	190741	--	
G070	Valve element		190743	190743	
	"	A373, A394	190993	--	
162	Shaft sleeve		034652	034652	2
	"	A373, A394	189411	--	3

**Recommendation:**  
For maintenance the following spare part sets are recommended:  
**Set: To be used:**  
**G057 Joint kit**  
For dismantling of the pump.  
**G053 Minor kit**  
For service  
**Major kit = pump**  
For repair after damage or greater wear.

**Note:**

- 1) Not valid for pumps A373, A394
- 2) For IEC71 motor
- 3) For IEC63 motor

**Ordering example:**

For IMO-pump LPD 020N1 IVBP  
serial number 456789  
Shaft seal pos G050 p/n 190334