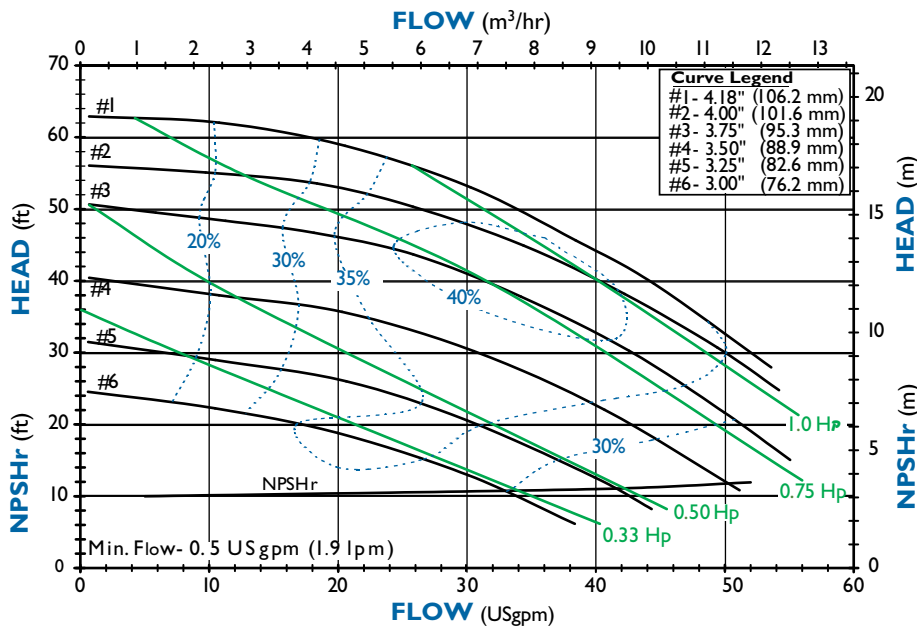


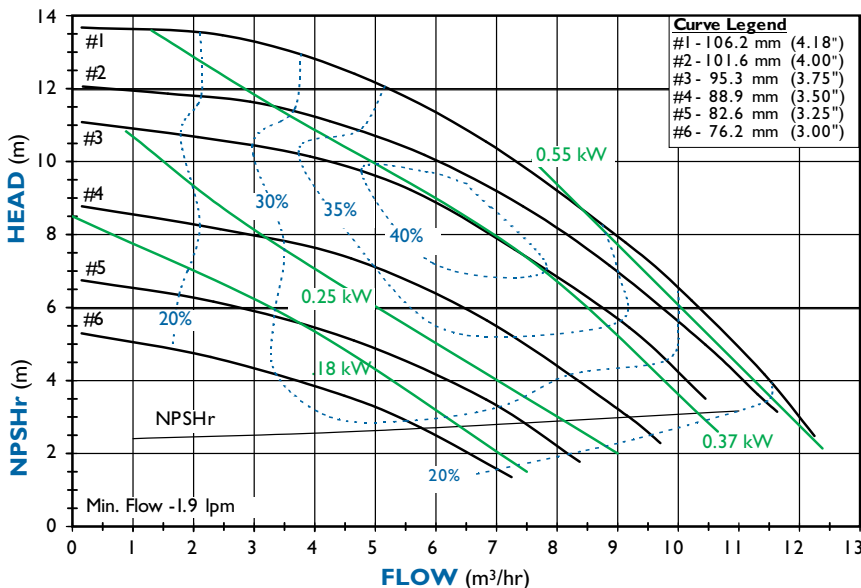
# SP Series: Model SPI0



**SPI0 PERFORMANCE Flooded Suction 3450 RPM\***



**SPI0 PERFORMANCE Flooded Suction 2900 RPM\***



Notes: Performance curves above are based on flooded suction.

\*Performance will vary with suction lift conditions. For performance at various suction lifts, see curve book on FTI web site ([www.finishthompson.com](http://www.finishthompson.com)) or contact factory.

**Warning! SP Series not recommended for pumping flammables!**

## FEATURES & CAPABILITIES

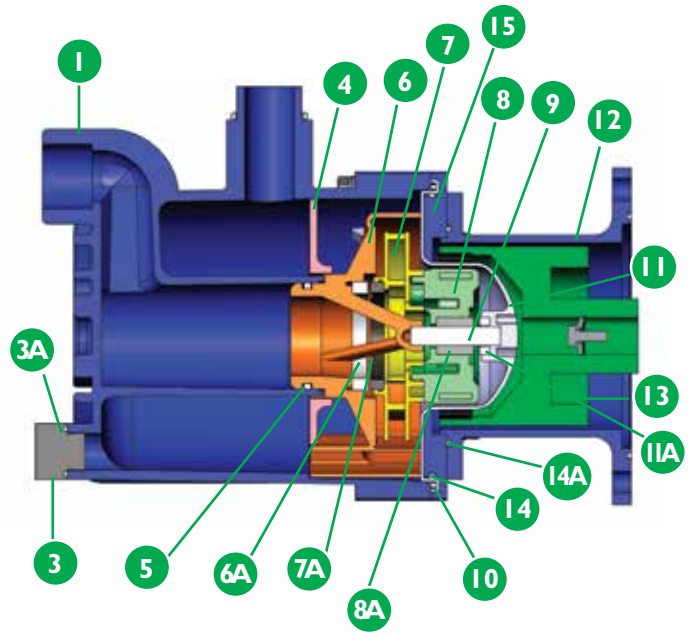
- + Self-priming, magnetic drive
- + Five-year warranty
- + Provides up to 25 ft. (7.6 m) lift or equivalent
- + Primes 15 ft. (4.6 m) in < 2 minutes with maximum diameter impeller
- + Retains fluid for re-priming when shut off without a check valve
- + Extended run dry ability (with carbon bushing)
- + High operating efficiency
- + Polypropylene or PVDF construction
- + Powerful neodymium magnets
- + Close-coupled design
- + Threaded (NPT or BSP), union or flange connections
- + Back pullout design
- + Mounts to NEMA and (B5 & B14) IEC motor frames
- + Easy set measurement free drive
- + ISO 1940 G2.5 balancing
- + CE certified
- + High working pressure up to 80 psi (5.5 bar)
- + Specific gravity over 1.8
- + Polypropylene—180° F (82° C)
- + PVDF—220° F (104° C)

## APPLICATIONS

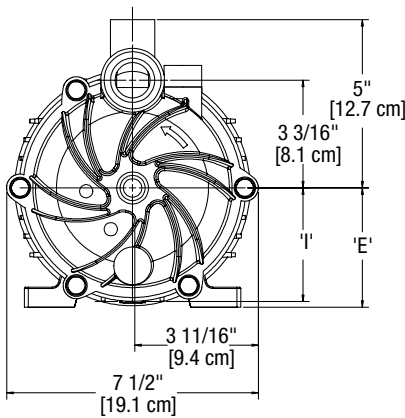
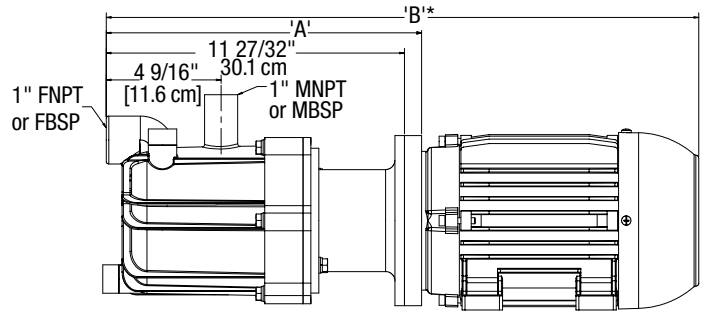
- + Rail cars
- + Tanker trucks
- + Tanks with an opening on top
- + Bulk storage to day or process tank transfer
- + Sumps and reservoirs
- + Below grade storage tanks
- + Over-the-wall applications
- + When run-dry protection is needed
- + and many more!

| Description                                | Polypropylene Models  | PVDF Models  |
|--|---|--|
| <b>1</b> Housing                           |   |  |
| <b>4</b> Separator plate                   | Glass-fiber reinforced polypropylene                                | Carbon-fiber reinforced PVDF                               |
| <b>6</b> Inner volute                      |   |  |
| <b>7</b> Impeller                          |   |  |
| <b>3A, 5, 10</b> O-ring options            | FKM, EPDM   |  |
| <b>3</b> Fill and drain plugs*             | Polypropylene   | PVDF   |
| <b>6A</b> Inner volute thrust ring options | High purity alumina ceramic, silicon carbide                        |  |
| <b>7A</b> Impeller thrust washer options   | Molybdenum disulfide filled PTFE, silicon carbide                   |  |
| <b>8</b> Inner drive                       | Neodymium iron boron magnets encapsulated in unfilled polypropylene | Neodymium iron boron magnets encapsulated in unfilled PVDF |
| <b>8A</b> Bushing options                  | Carbon, PTFE, high purity alumina ceramic, silicon carbide          |  |
| <b>9</b> Shaft options                     | High purity alumina ceramic, Hastelloy® C, silicon carbide          |  |
| <b>11</b> Barrier                          | Glass-fiber reinforced polypropylene                                | Carbon-fiber reinforced PVDF                               |
| <b>11A</b> Barrier thrust ring             | High purity alumina ceramic   |  |
| <b>12</b> Motor adapter                    | Glass fiber reinforced polypropylene                                |  |
| <b>13</b> Outer drive magnets              | Nickel-plated neodymium iron boron magnets/steel                    |  |
| <b>14, 14A, 14B</b> Motor adapter o-rings  | Buna N (std.), FKM, EPDM  |  |
| <b>15</b> Clamp ring                       | Carbon steel  |  |

\*Fill plug not shown



Hastelloy® C is a registered trademark of Haynes International, Inc.

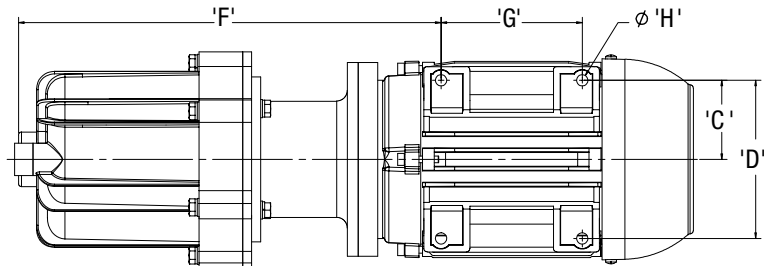


Also available 1" x 1" 150 lb. ANSI/ISO PN20/ PN40/JIS 10K or 32mm x 32mm union connection. Flanges are in compliance with bolting dimensions only.

Dimensions and weights are for reference only.

\*Varies with motor manufacturer.

\*\* Depends upon motor manufacturer and style of motor chosen.



| Frame Size   | A                   | B*                  | C                 | D                  | E                 |
|--------------|---------------------|---------------------|-------------------|--------------------|-------------------|
| NEMA 56C     | 11-27/32" (30.1 cm) | 22-3/32" (56.1 cm)  | 2-7/16" (6.2 cm)  | 4-7/8" (12.4 cm)   | 3-1/2" (8.9 cm)   |
| NEMA 145TC   | 11-27/32" (30.1 cm) | 23-1/16" (58.6 cm)  | 2-3/4" (7.0 cm)   | 5-1/2" (14.0 cm)   | 3-1/2" (8.9 cm)   |
| IEC63 B14/B5 | 12-3/16" (31.0 cm)  | 18-31/32" (48.2 cm) | 1-31/32" (5.0 cm) | 3-15/16" (10.0 cm) | 2-15/32" (6.3 cm) |
| IEC71 B14/B5 | 12-3/16" (31.0 cm)  | 20-1/2" (52.0 cm)   | 2-7/32" (5.6 cm)  | 4-13/32" (11.2 cm) | 2-25/32" (7.1 cm) |
| IEC80 B14/B5 | 12-17/32" (31.8 cm) | 21-3/4" (55.2 cm)   | 2-15/32" (6.3 cm) | 4-29/32" (12.5 cm) | 3-5/32" (8.0 cm)  |
| IEC90 B14/B5 | 12-17/32" (31.8 cm) | 23-17/32" (59.8 cm) | 2-3/4" (7.0 cm)   | 5-1/2" (14.0 cm)   | 3-17/32" (9.0 cm) |

| Frame Size   | F                   | G                  | H               | I                  | Pump Wt. - lbs (kg) | Motor Wt.** - lbs. (kg) |
|--------------|---------------------|--------------------|-----------------|--------------------|---------------------|-------------------------|
| NEMA 56C     | 14-19/32" (37.1 cm) | 3" (7.6 cm)        | 11/32" (0.9 cm) | 3-3/8" (8.6 cm)    | 13 (5.9)            | 28 (12.7)               |
| NEMA 145TC   | 14-7/32" (36.1 cm)  | 5" (12.7 cm)       | 11/32" (0.9 cm) | 3-3/8" (8.6 cm)    | 13 (5.9)            | 32 (14.5)               |
| IEC63 B14/B5 | 13-5/16" (33.8 cm)  | 3-5/32" (8.0 cm)   | 9/32" (0.7 cm)  | 3-3/8" (8.6 cm)    | 16.5 (7.5)          | 17 (7.7)                |
| IEC71 B14/B5 | 14-1/16" (35.7 cm)  | 3-17/32" (9.0 cm)  | 9/32" (0.7 cm)  | 3-3/8" (8.6 cm)    | 16.5 (7.5)          | 22 (10.0)               |
| IEC80 B14/B5 | 14-7/16" (36.7 cm)  | 3-15/16" (10.0 cm) | 13/32" (1.0 cm) | 3-15/16" (10.0 cm) | 19 (8.6)            | 37.5 (17.0)             |
| IEC90 B14/B5 | 14-23/32" (37.4 cm) | 3-15/16" (10.0 cm) | 13/32" (1.0 cm) | 3-15/16" (10.0 cm) | 19 (8.6)            | 37.5 (17.0)             |

