

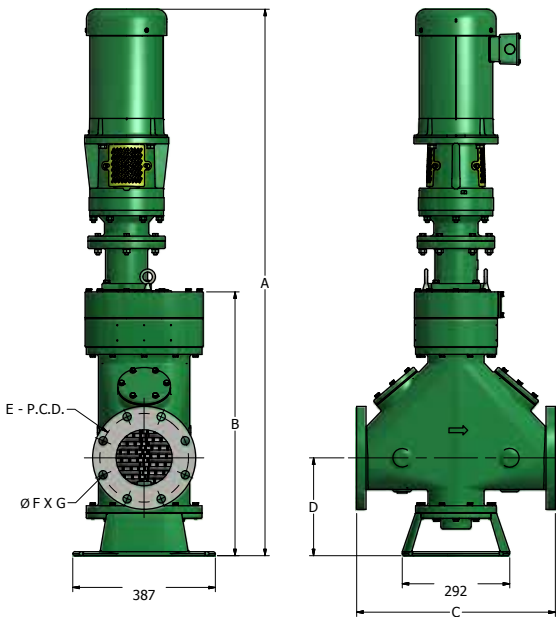
30K Muffin series Monster®

Materials of Construction

- Housings:** Ductile iron
- Cutters:** Hardened alloy steel
- Shafts:** Hardened alloy steel
- Mechanical Seals:** Tungsten carbide faces

Specifications

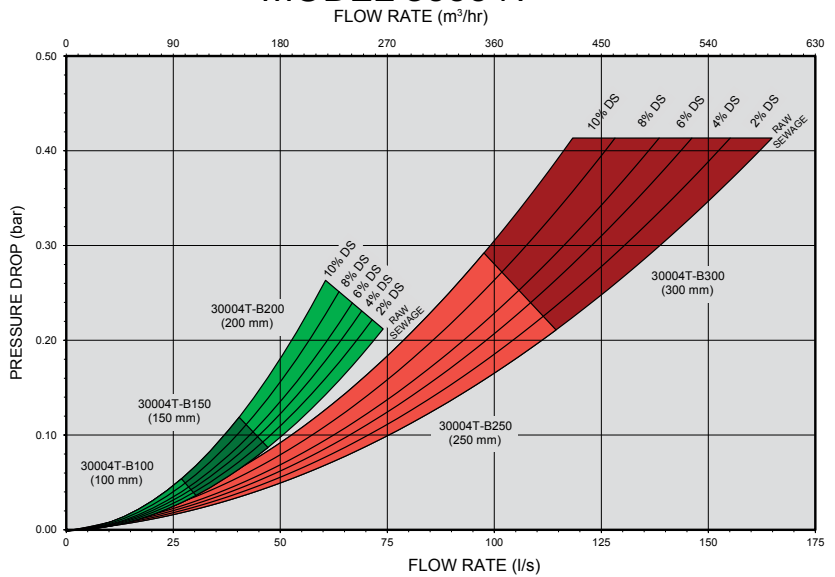
- 50 mm hex shafts;
- Standard: 25:1 reducer
- Cutter Size:** 120 mm diameter cutters
- Seal Max Working Pressure:** 6 bar



OPTIONS AVAILABLE

	In-Line	Open Channel
2.2kW or 4kW Motors	■	■
7, 11, 13 Tooth Cutters	■	■
17 Tooth Wipes Ready Cutter	■	■
Custom Mounting Frames		■
IP65 Control enclosures	■	■
Solids Scrapers		■
Stainless Steel Feed Hopper		■
Alternate Voltage & kW Motors	■	■
Explosion Proof Motors	■	■
Submersible Motors	■	■
Hydraulic Power Pack	■	■
Extended Motor Shafts	■	■

MODEL 30004T



IN-LINE Model	Flow Rate - m³/hr	Pipeline Size - mm	Pressure Drop - bar	Standard Dimensions - mm					Flange Dimensions - mm			Approximate Net Weight - kg
				A (IP55)	A (IP68)	B	C	D	E	F	G	
30004T-B100	102	100	0.04	1425	1529	718	483	238	180	19 (M16)	8	255
30004T-B150	159	150	0.08	1425	1529	718	534	264	240	23 (M20)	8	254
30004T-B200	250	200	0.21	1425	1529	718	584	238	295	23 (M20)	8	258
30004T-B250	386	250	0.20	1717	1821	1010	686	313	355	28 (M24)	12	358
30004T-B300	556	300	0.40	1717	1821	1010	787	337	410	28 (M24)	12	367

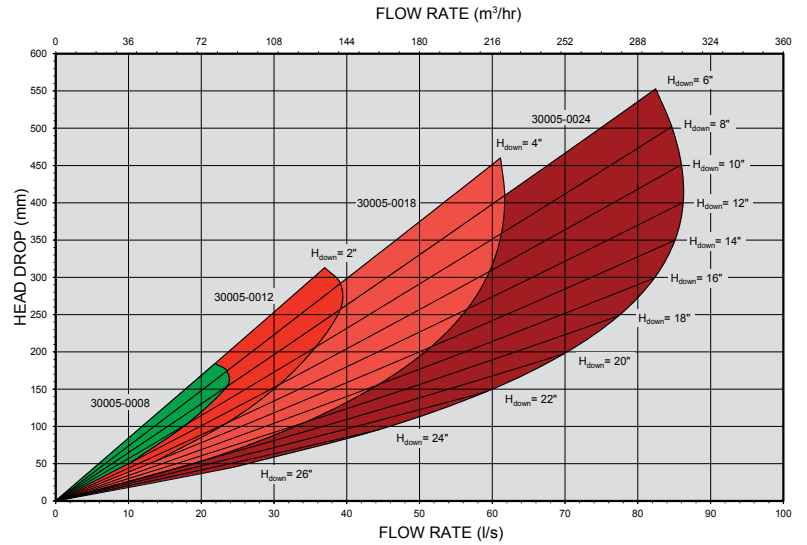
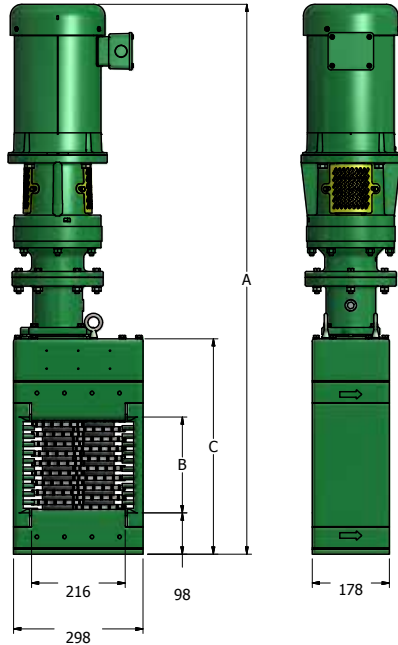
In-Line unit typically installed prior to suction side of pump. • Consult factory for analysis of application.

• Drive dimensions are a maximum based on a unit with a 4.0kW drive.

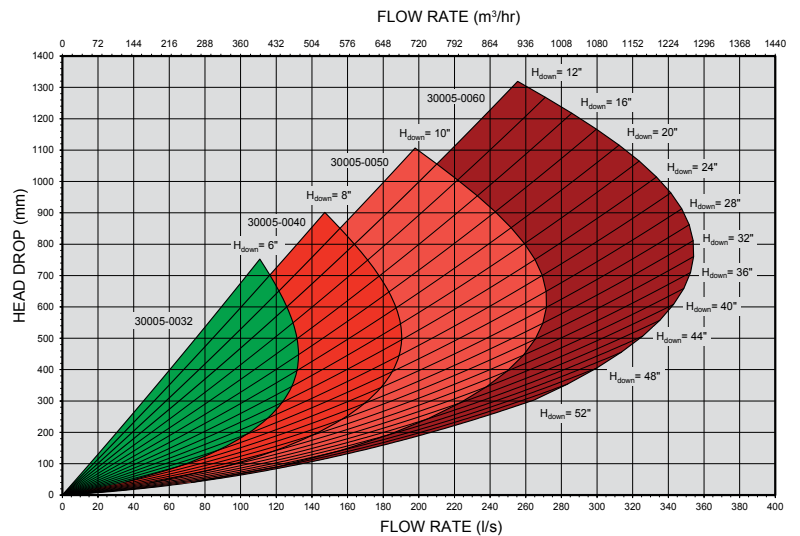


+44 1260 277047 | jwce.com | jwci@jwce.com

MODEL 30005



MODEL 30005



OPEN CHANNEL Model	Flow Rate - m³/hr	Head Drop - mm	Standard Dimensions - mm				Approximate Net Weight - kg
			A (IP55)	A (IP68)	B	C	
30005-0008	84	178	1202	1306	203	495	168
30005-0012	141	290	1307	1411	305	600	186
30005-0018	223	405	1456	1560	457	749	211
30005-0024	311	405	1602	1706	609	895	236
30005-0032	477	445	1799	1903	813	1092	263
30005-0040	686	495	2002	2106	1016	1295	295
30005-0050	979	595	2220	2466	1270	1546	336
30005-0060	1277	760	2474	2720	1524	1813	383

- * Flow based on optimum channel conditions. • Consult factory for analysis of application.
- Drive dimensions are a maximum based on a unit with a 4.0kW motor. • Extended drive shafts are available on request.