

40K Muffin series Monster®

Materials of Construction

Housings: Ductile iron

Cutters: Hardened alloy steel

Shafts: Hardened alloy steel

Mechanical Seals: Tungsten carbide faces

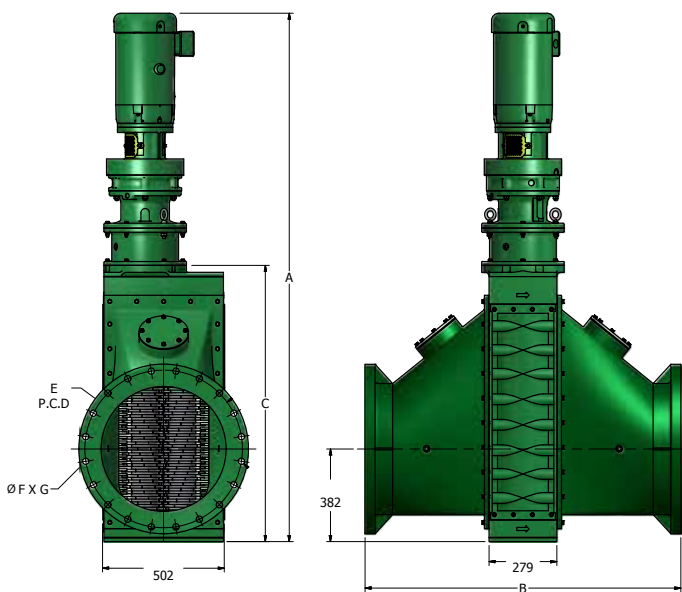
Specifications

64 mm hex shafts;

Standard: 35:1 reducer

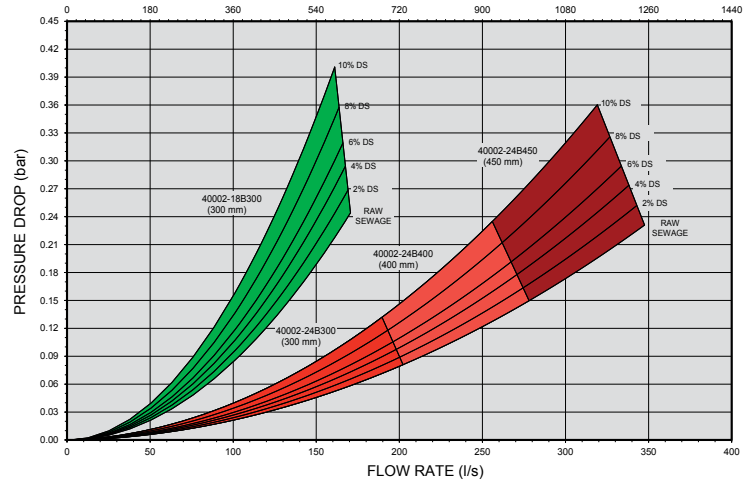
Cutter Size: 190 mm diameter cutters

Seal Max Working Pressure: 6 bar



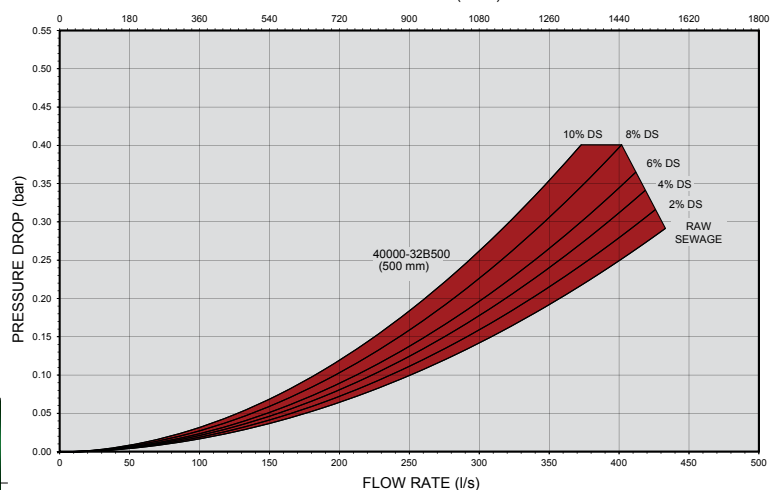
MODEL 40002-Inline

FLOW RATE (m³/hr)



MODEL 40002-Inline

FLOW RATE (m³/hr)

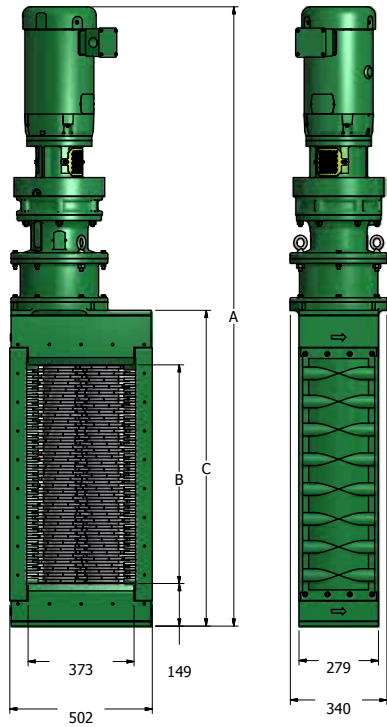


IN-LINE Model	Flow Rate - m³/hr	Pipeline Size - mm	Pressure Drop - bar	Standard Dimensions - mm				Flange Dimensions - mm			Approximate Net Weight - kg
				A (IP55)	A (IP68)	B	C	E	F	G	
40002-18B300	612	300	0.24	1704	1848	895	768	410	28 (M24)	12	690
40002-24B300	727	300	0.08	1882	2027	895	946	410	28 (M24)	12	805
40002-24B400	999	400	0.15	1882	2027	1099	946	525	31 (M27)	16	860
40002-24B450	1249	450	0.23	1882	2027	1200	946	585	28 (M24)	20	950
40002-32B500	1558	500	0.29	2080	2117	1301	1114	650	32 (M30)	20	1184

In-Line unit typically installed prior to suction side of pump. • Consult factory for analysis of application.

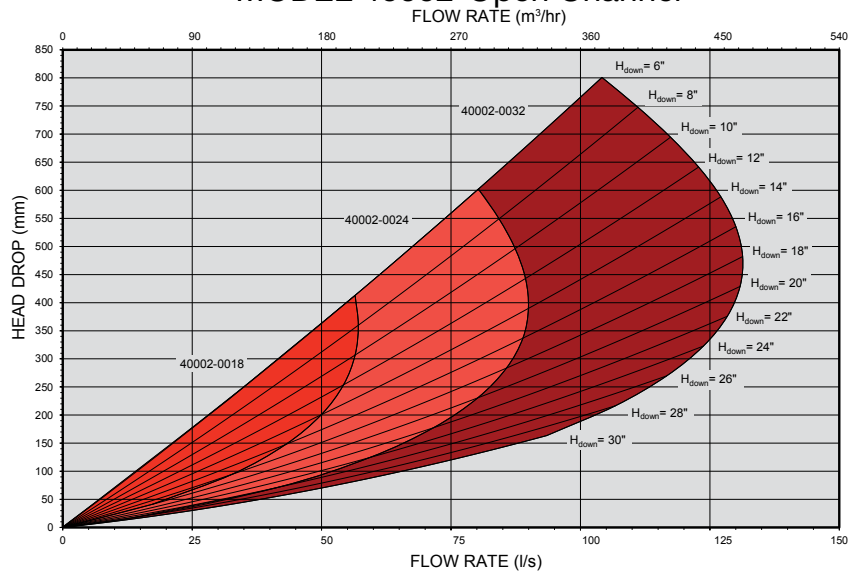
• Drive dimensions are a maximum based on a unit with a 7.5kW drive.





OPTIONS AVAILABLE		
	In-Line	Open Channel
7.5kW Motors	■	■
7, 11, 23 Tooth Cutters	■	■
Stainless Steel Cutters	■	■
Custom Mounting Frames		■
IP65 Control Enclosures	■	■
Solids Scrapers		■
Nickel Plated Housing		■
Stainless Steel Feed Hopper		■
Alternate Voltage & kW Motors	■	■
Explosion Proof Motors	■	■
Submersible Motors	■	■
Hydraulic Power Pack	■	■
Extended Motor Shafts	■	■

MODEL 40002-Open Channel



OPEN CHANNEL Model	Flow Rate - m³/hr	Head Drop - mm	Standard Dimensions - mm				Approximate Net Weight - kg
			A (IP55)	A (IP68)	B	C	
40002-0018	207	203	1704	1816	457	768	533
40002-0024	327	406	1882	1994	610	946	619
40002-0032	477	457	2050	2162	813	1114	708

* Flow based on optimum channel conditions. • Consult factory for analysis of application.

• Drive dimensions are a maximum based on a unit with a 7.5kW drive. • Extended drive shafts are available on request.