

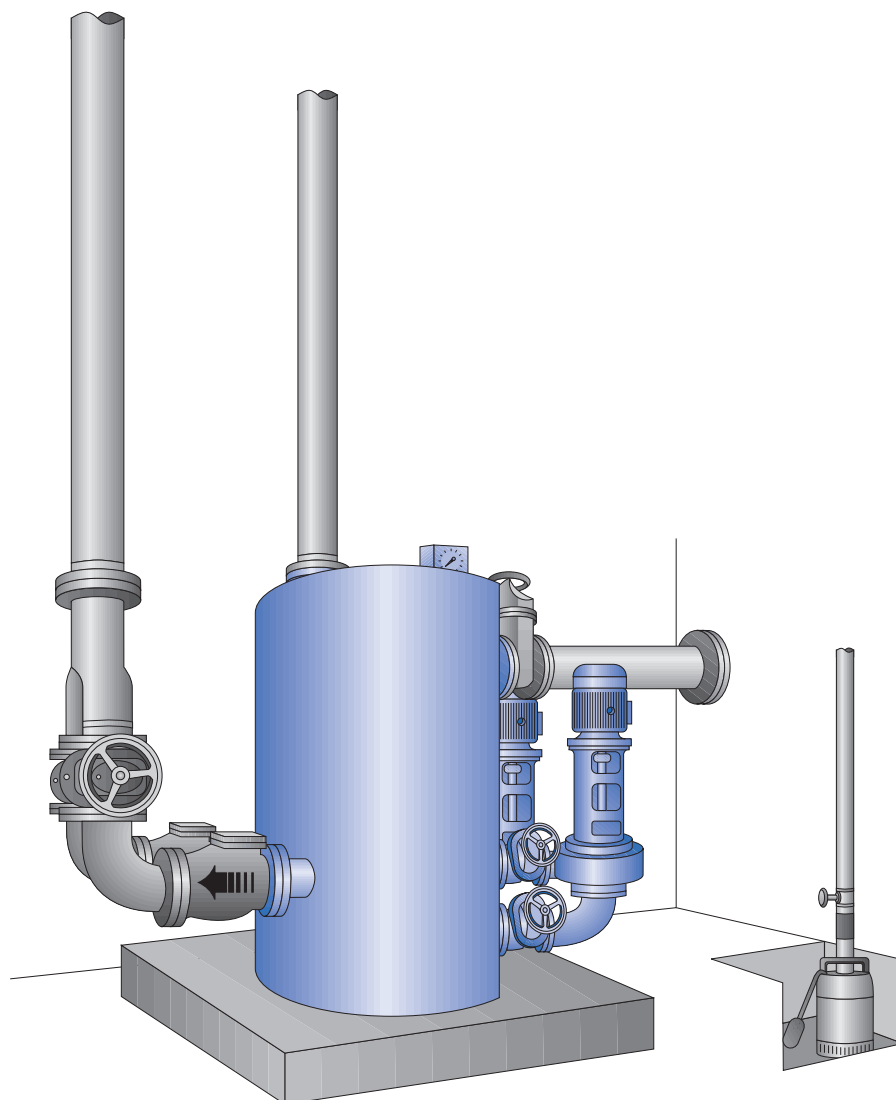
AWALIFT 2/2 flat

The sewage pumping station with the STRATE system

Area of use:

- Draining small towns with up to about 1700 residents which cannot be drained using natural gradient or as an intermediate pumping station within the context of a pressure drainage system
- Residential and industrial areas
- Towns
- Communities
- Infrastructure facilities such as airports, industrial parks, underground stations etc.

up to
1700 PE



AWALIFT 2/2 flat

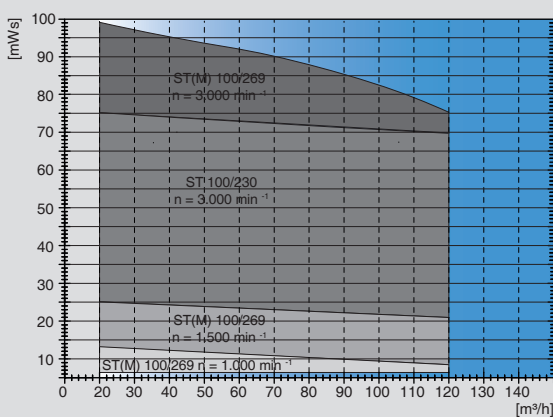
Technical data

System capacity:	36 m ³ /h raw sewage, 1700 PE
Pumping head:	up to 80 mWS
Free passage:	100 mm
Tank dimensions:	Ø = 1250 mm, flattened off, H = 1500 mm
Tank contents:	0,95 m ³
Space requirements:	2500 x 2500 mm, Ø 2400 mm
Weight:	approx. 800 kg
Installation opening:	1500 x 1100 mm
Inlet height:	1200 mm
Inlet connection:	DN 200 PN 10
Pressure pipe connection:	DN 100 PN 10
Venting and air release:	DN 100 PN 10
Electrical connection:	According to requirement

Materials

Tank:	S235JR (St37-2)
Pump:	EN-GJL-250 (GG25), EN-GJL-400-15 (GGG40)
Coating/corrosion protection:	2-component coating on epoxy resin basis, DB 601 green

Characteristic curve for pump



Other operating points on request.
Pumps which can be used STM 65/80, ST(M)100/269, ST 100/230.
The impellers are adapted to the specific operating point.

Subject to technical modifications and errors.

Scope of supply:

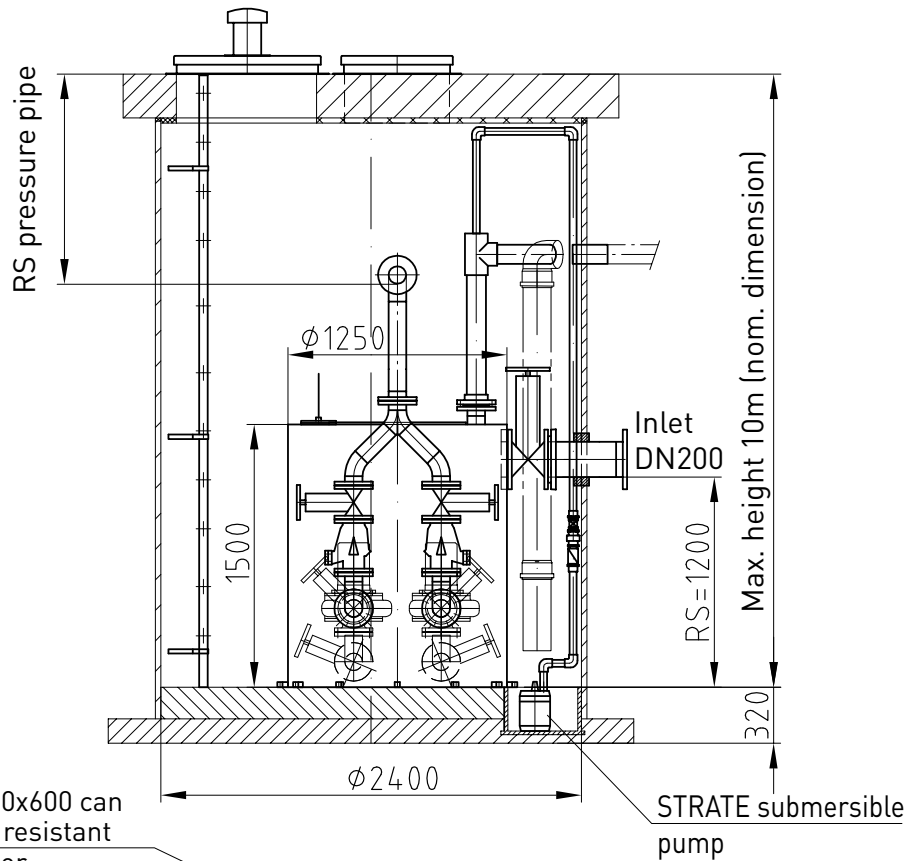
- One holding tank with two solids collecting chambers
- Two centrifugal pumps and motors according to type and operating location required
- Four pump gate valves
- Two STRATE non-return valves
- Two pressure pipe gate valves DN 100
- One Y-pipe DN 100
- Level measurement

Accessories:

- Pump control
- Inlet gate valve DN 200
- Pipes incl. reducer and transition flanges within the building
- Pig trap
- Basement draining pump
- Alarm and monitoring systems, see control technology
- Inductive quantity measurement
- Emergency power generator
- STRATE venting systems
- STRATE AWALIFT shaft
- STRATE service building
- STRATE assembly and maintenance

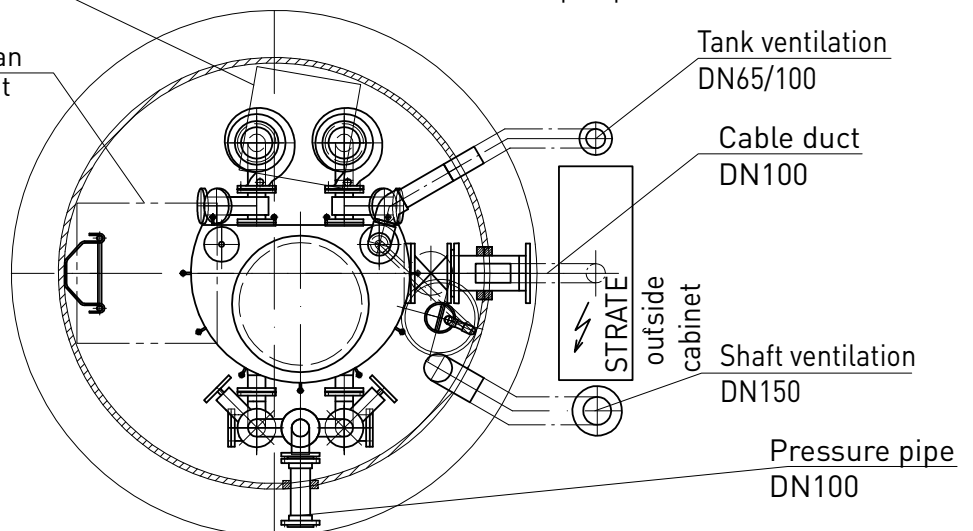
Special accessories according to your requirements

AWALIFT 2/2 flat



Shaft cover 600x600 can be walked on, resistant to surface water

Shaft cover 800x800 can be walked on, resistant to surface water



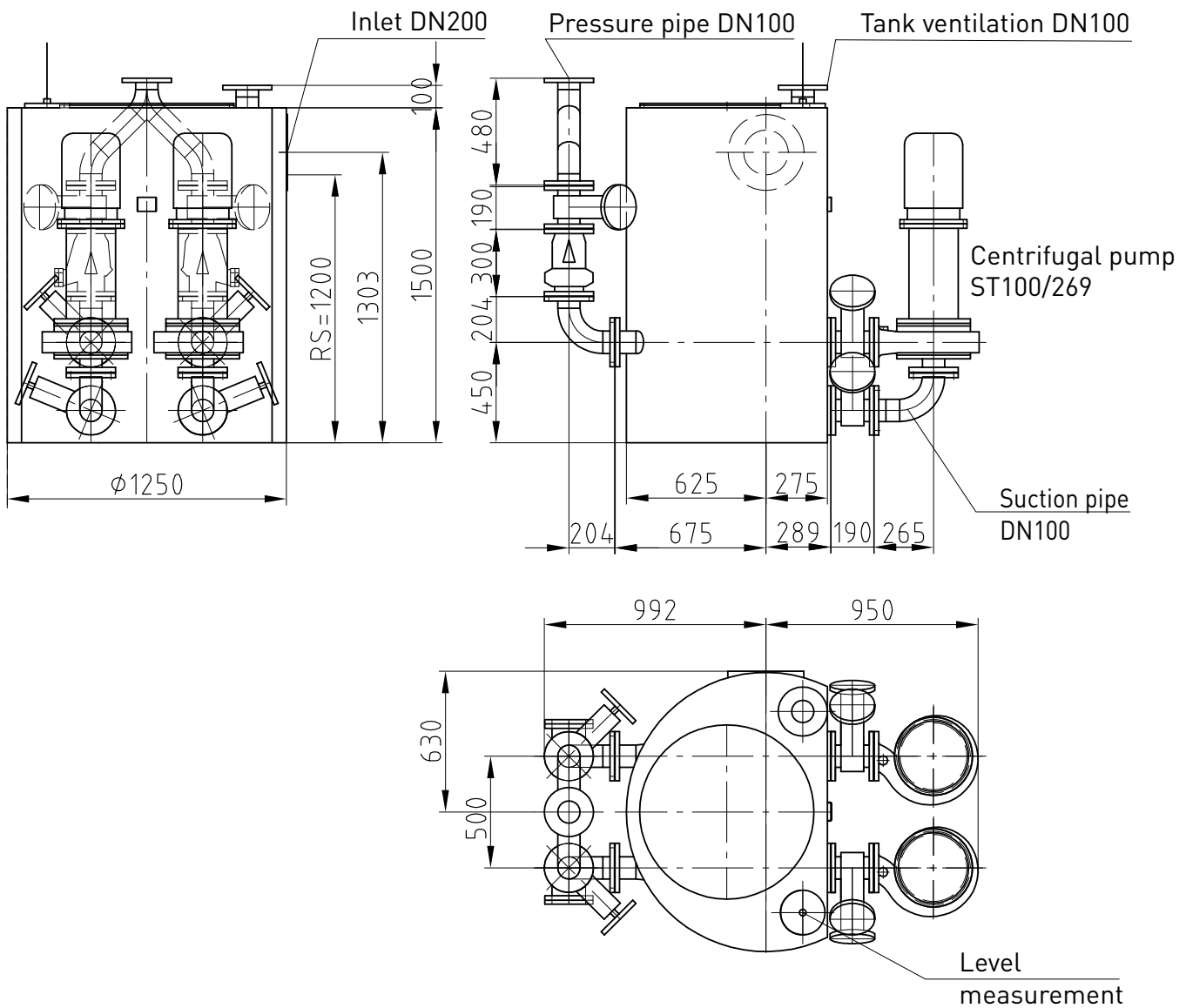
Copyright according to DIN 34

Scale:

Installation suggestion: AWALIFT 2/2 flat
in the AWALIFTSCHACHT 2400

Subject to technical modifications and errors.

AWALIFT 2/2 flat



Dimensional drawings are available from www.strate.com as dwg/dxf files.

Copyright according to DIN 34	Dimensional drawing: AWALIFT 2/2 flat
Scale:	

Subject to technical modifications and errors.