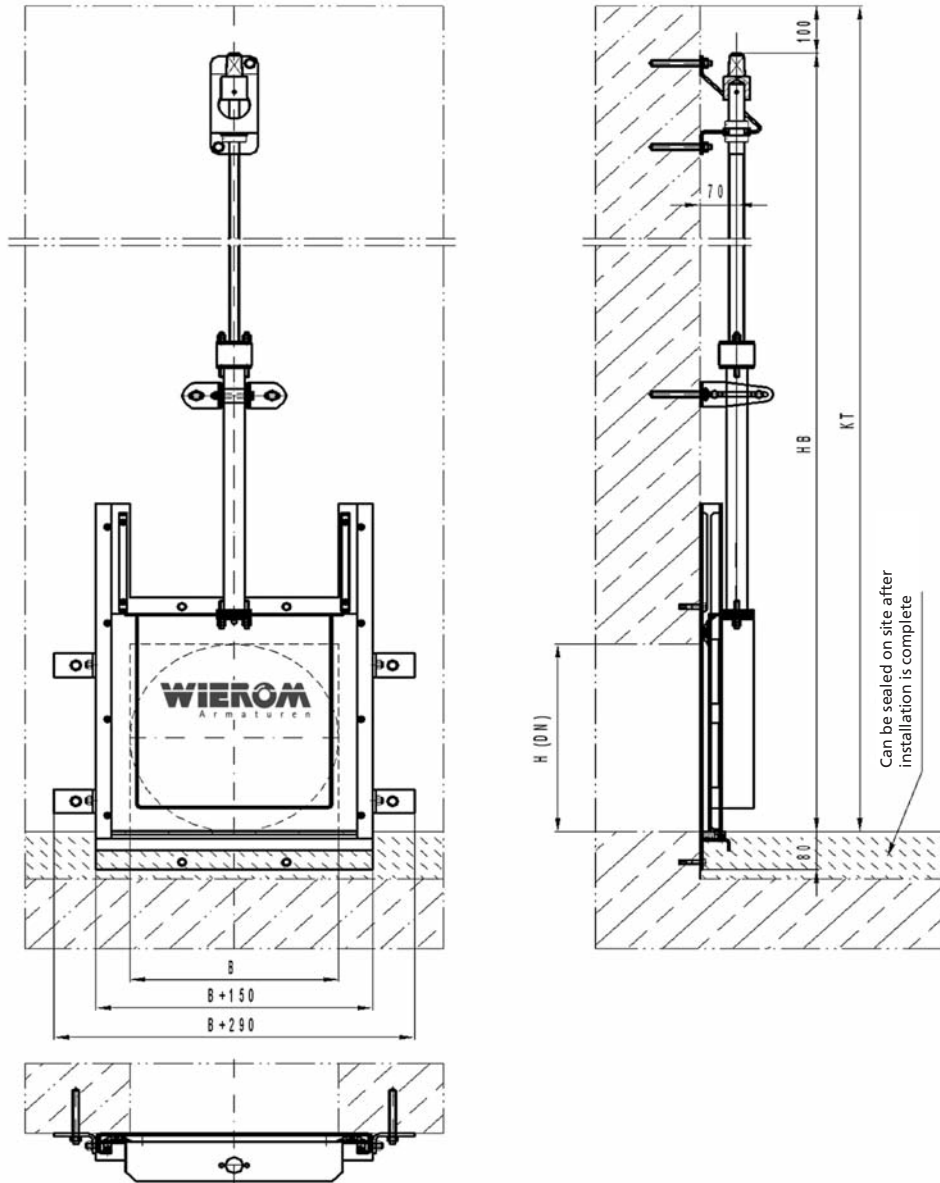


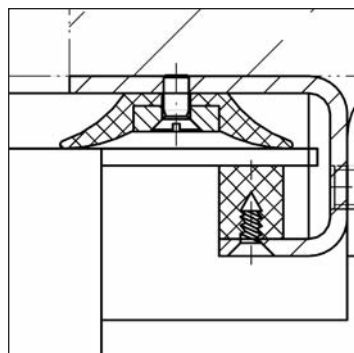
WIEROM Lift gate – HUS

9. WIEROM Lift gate – HUS

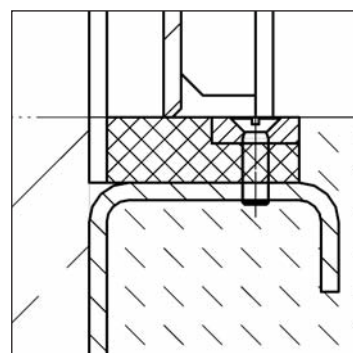
Described version: HUS – AS1 with sliding rails



Detail: Side frame



Detail: Crown sheet



9.1 Lift gate with sliding rails

9.1.1 Application

Shut-off device for round or rectangular openings. **OPEN-SHUT and CONTROL function**, i.e. provides a tight seal in any position. Water pressure can be exercised both on the front and the rear.

9.1.2 Design properties

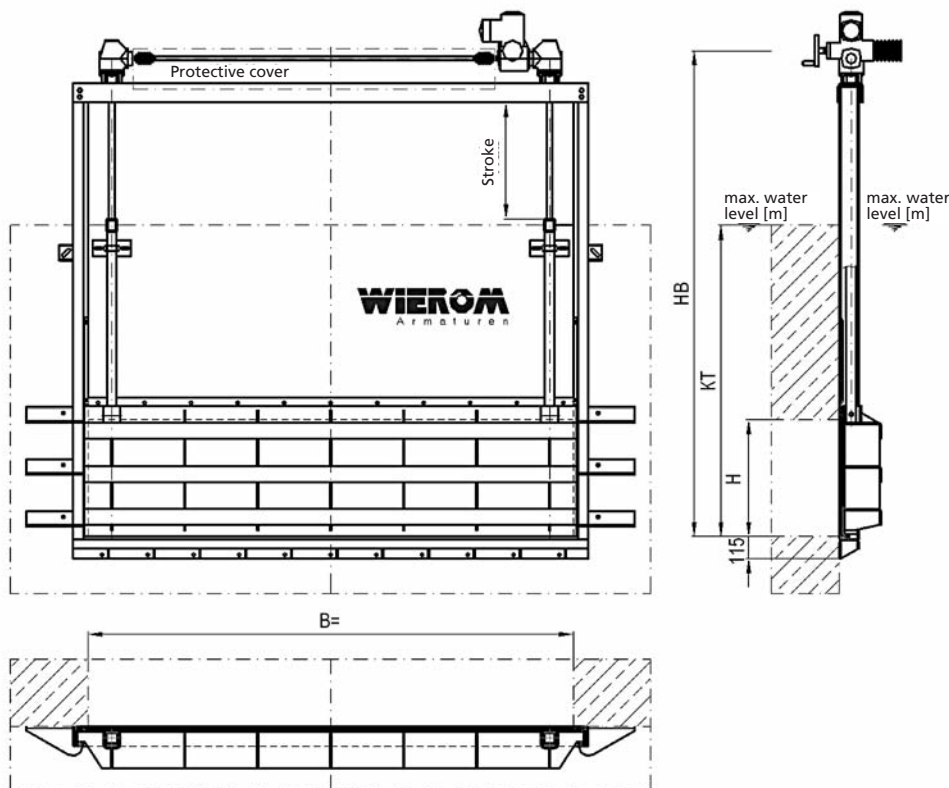
Canted U-shaped profile frame with lateral fastening straps for anchor attachment to a level concrete wall. Shutter reinforced to match the stress level. With replaceable, wrap-around profile gasket. Seal pressing via sliding rails. The sealing between the frame and the construction is provided by a one-sided self-adhesive cellular rubber seal (included in delivery). Please order fastening material separately.

Actuation by trapezoidal thread spindle.

9.1.3 Rated widths

200 x 200 – 2,000 x 2,000 or DN 150 – DN 2000. **Larger dimensions available on request.**

Figure: Two-spindle lift gate for large rated widths



9.1.4 Drives

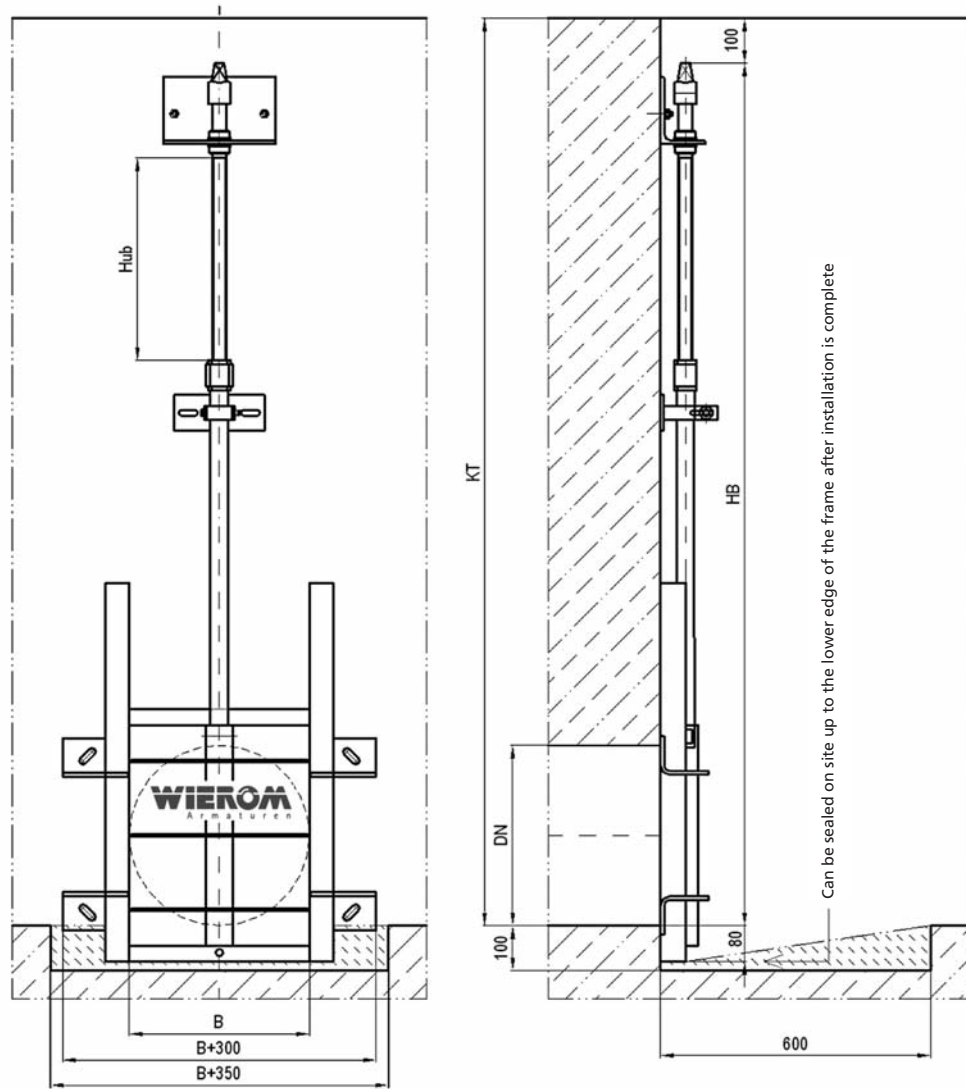
For drive selection, see chapter

- 15.1 – Drive inside the shaft – AS
- 15.2 – Floor pedestal drive systems – AF
- 15.3 – Crosshead drives – AT

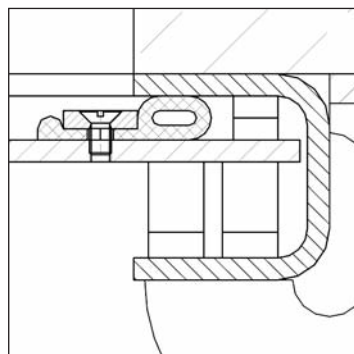
WIEROM Lift gate – HUS

9.2 Lift gate with wedge pressing

Described version: HUS – AS1 with wedge pressing



Detail: Side frame



Detail: Base profile

