

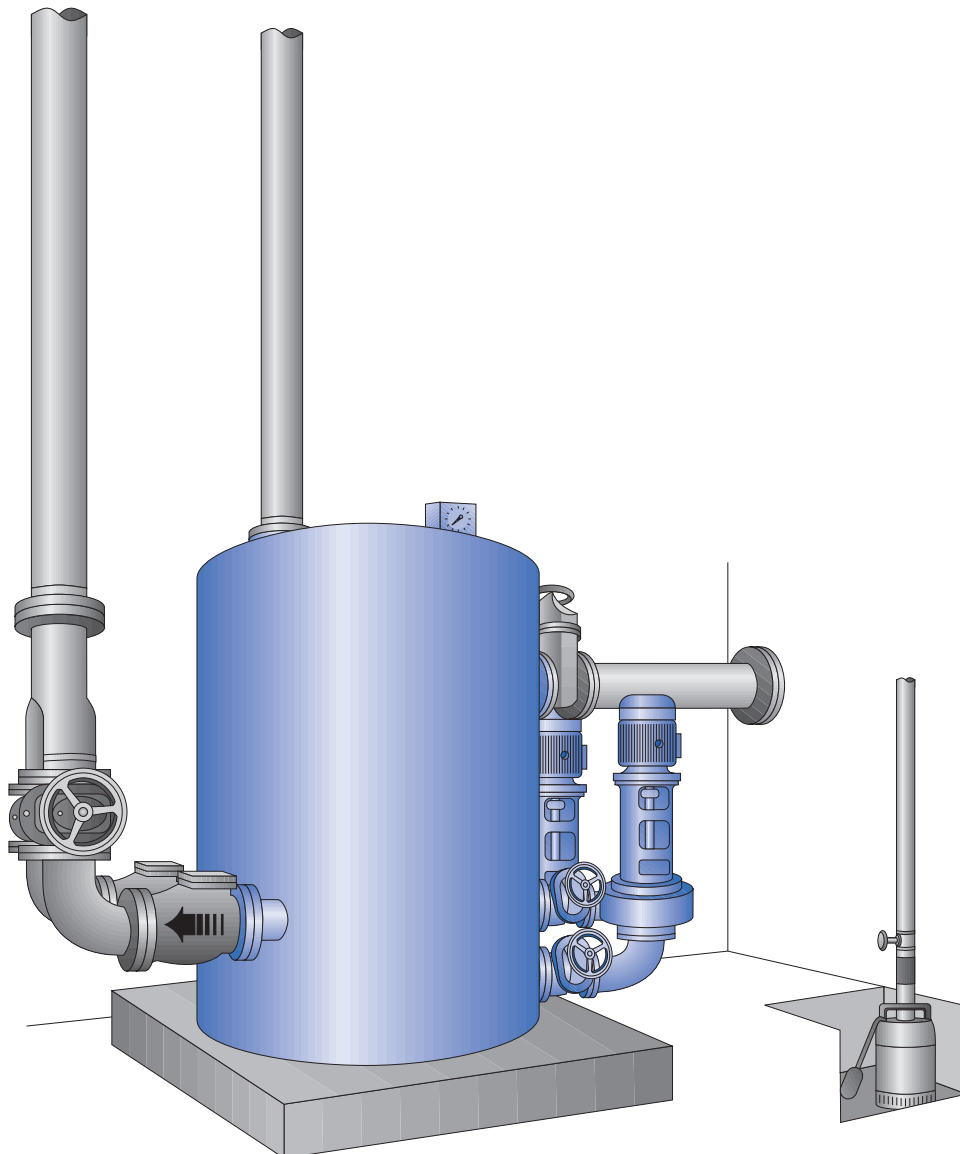
AWALIFT 6/2

Die Abwasserhebeanlage mit dem STRATE-System

Area of use:

- Draining towns with up to about 9300 residents which cannot be drained using natural gradient or as an intermediate pumping station within the context of a pressure drainage system
- Residential and industrial areas
- Towns
- Communities
- Infrastructure facilities such as airports, industrial parks, subway systems etc.

up to
9300 PE



AWALIFT 6/2

Technical data

System capacity:	200 m ³ /h raw sewage, 9300 EW
Pumping head:	up to 48 mWS, AWALIFT 6/2x2 up to 96 mWS
Free passage:	200 mm
Tank dimensions:	Ø = 2000 mm x 2500 mm
Tank contents:	6,0 m ³
Space requirements:	4700 mm x 3700 mm
Weight:	apprx. 2000 kg
Installation opening:	2200 mm x 2200 mm
Inlet height:	1900 mm
Inlet connection:	DN 300 PN 10
Pressure pipe connection:	DN 200 PN 10
Venting and air release:	DN 150 PN 10
Electrical connection:	According to requirement

Materials

Tank:	S235JR (St37-2)
Pump:	EN-GJL-250 (GG 25)
Coating / corrosion protection:	2-component coating on epoxy resin basis, DB 601 green

Scope of supply:

- One holding tank with two solids collecting chambers
- Two centrifugal pumps and motors according to type and operating location required
- Four pump gate valves
- Two STRATE non-return valves
- One Y-pipe DN 200
- Two pressure pipe gate valves DN 200
- Level measurement

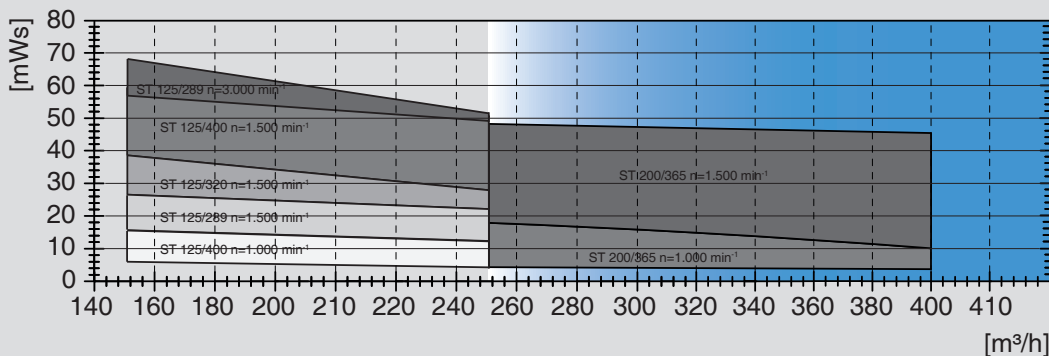
Accessories:

- Pump control
 - Inlet gate valve DN 300
 - Pipes incl. reducer and transition flanges within the building
 - Pig trap
 - Basement draining pump
 - Alarm and monitoring systems, see control technology
 - Inductive quantity measurement
 - Emergency power generator
 - STRATE venting systems
 - STRATE AWALIFT shaft
 - STRATE service building
 - STRATE assembly and maintenance
- Special accessories according to your requirements

Characteristic curve for pump

AWALIFT 6/2

Pumping heads up to 96 mWS are achieved by switching 2 pumps in series.



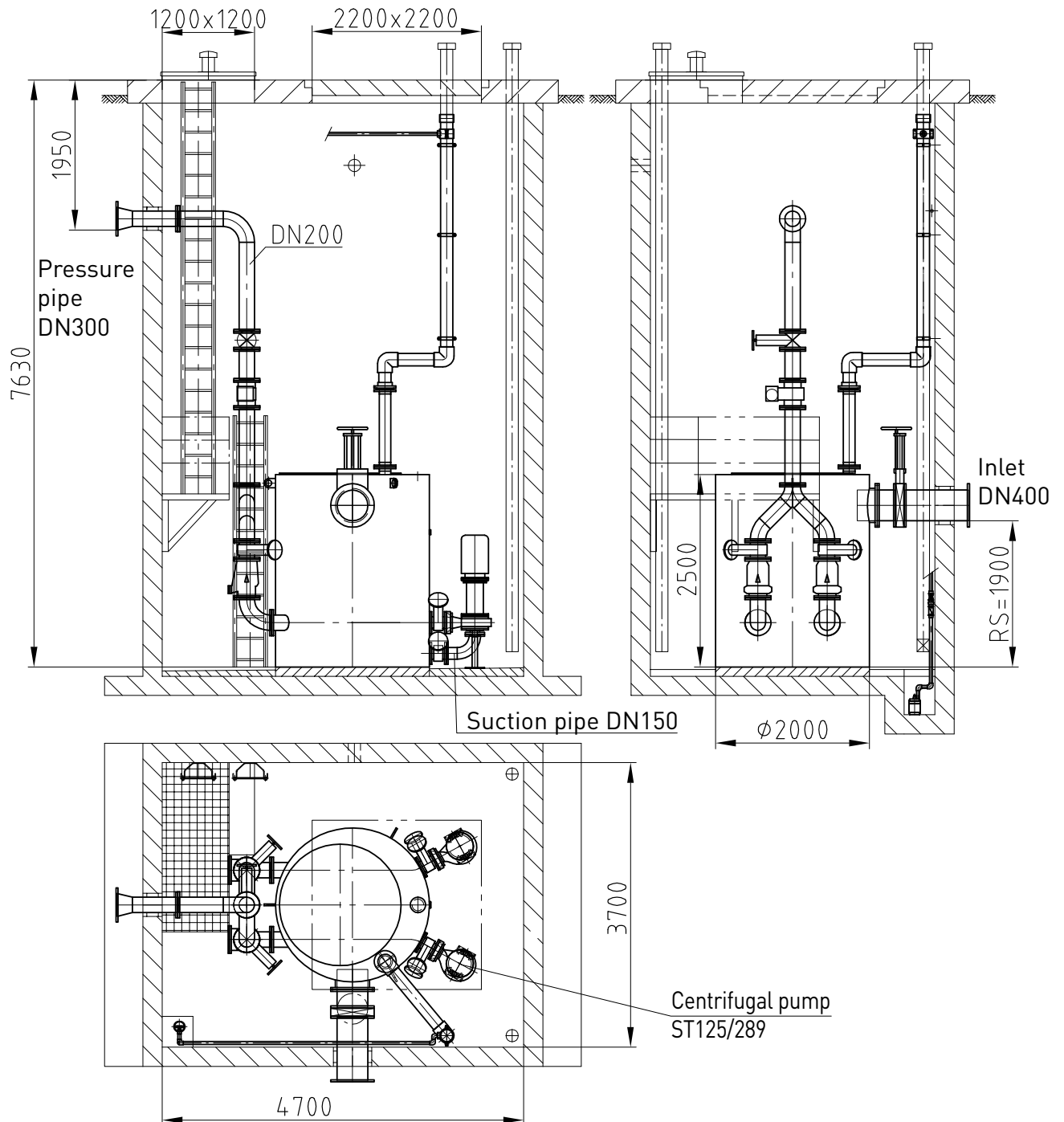
Other operating points on request.

Pumps which can be used
ST(M) 125/320,
ST 125/289,
ST 125/400,
ST 200/365.

The impellers are adapted to the specific operating point.

Subject to technical modifications and errors.

AWALIFT 6/2



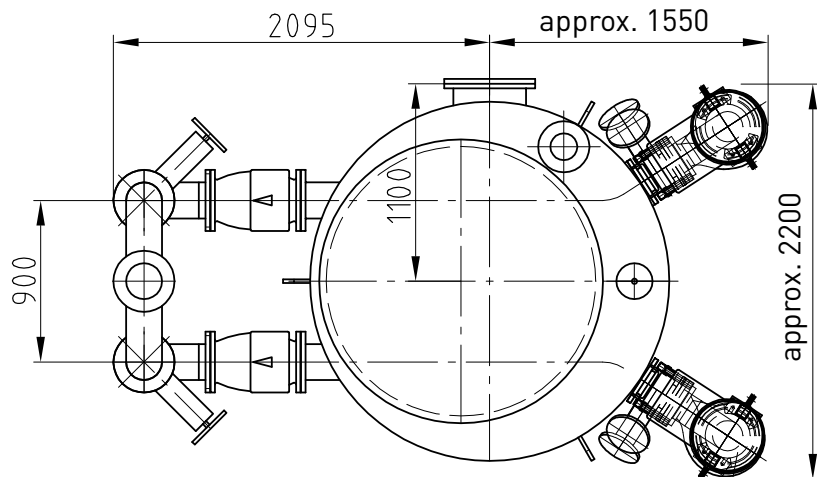
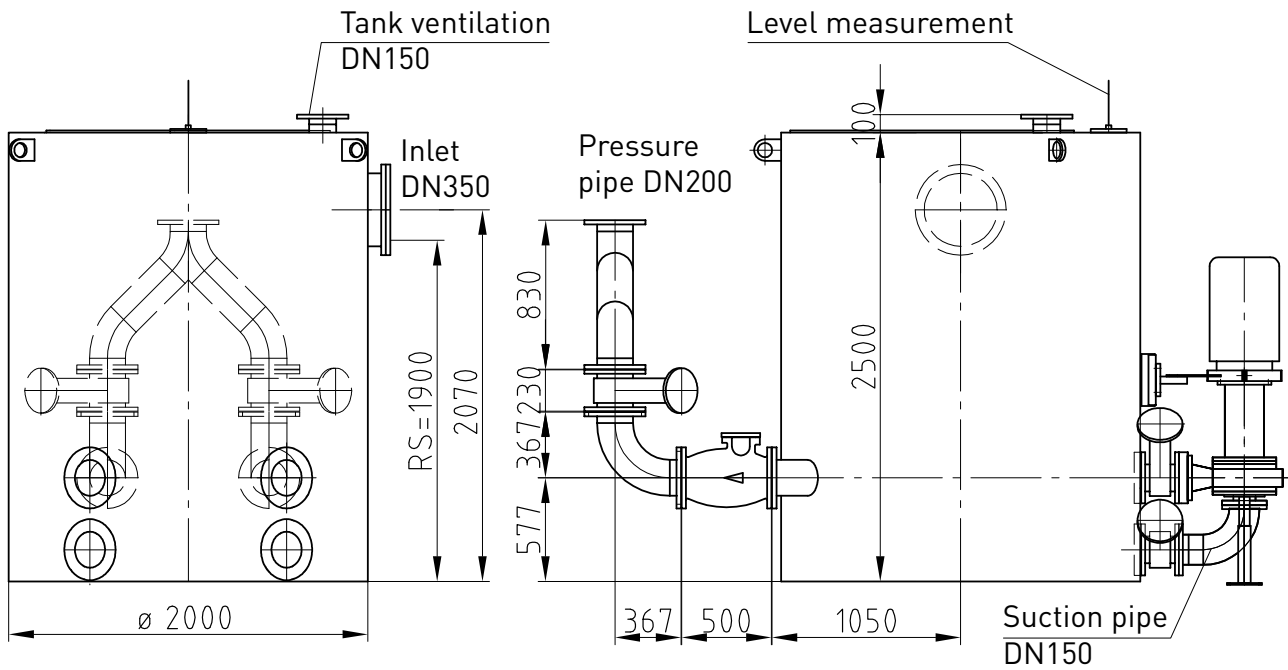
Copyright according to DIN 34

Scale:

Installation suggestion: AWALIFT 6/2
in the AWALIFTSCHACHT

Subject to technical modifications and errors.

AWALIFT 6/2



Centrifugal pump ST125/289



Dimensional drawings are available from www.strate.com as dwg / dxf files.

Copyright according to DIN 34	Dimensional drawing: AWALIFT 6/2
Scale:	

Subject to technical modifications and errors.