

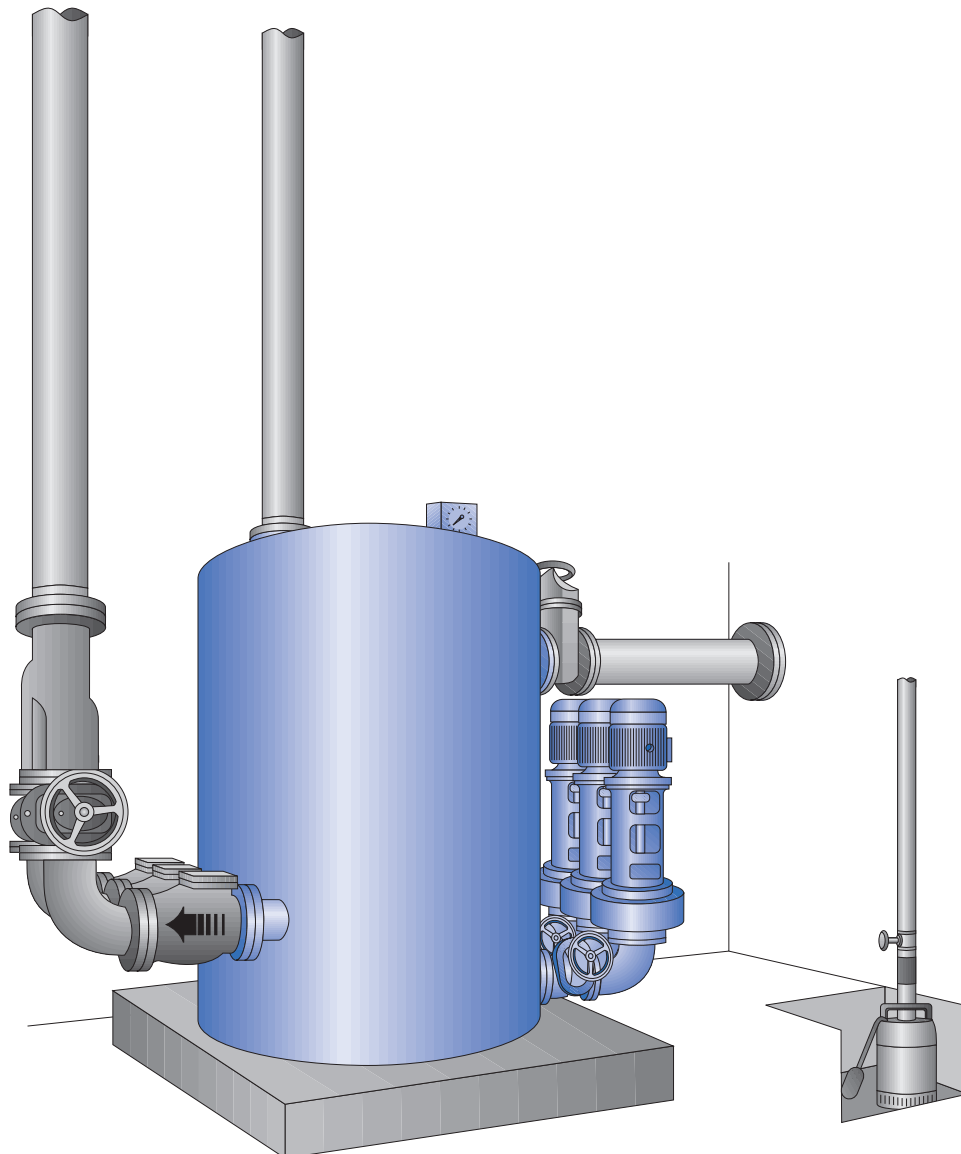
AWALIFT 6/3

The sewage pumping station with the STRATE system

Area of use:

- Draining towns with up to about 11,600 residents which cannot be drained using natural gradient or as an intermediate pumping station within the context of a pressure drainage system
- Residential and industrial areas
- Towns
- Communities
- Infrastructure facilities such as airports, industrial parks, subway systems etc.

up to
11600 PE



AWALIFT 6/3

Technical data

System capacity:	250 m ³ /h raw sewage, 11600 PE
Pumping head:	up to 48 mWS, AWALIFT 6/3x2 up to 96
Free passage:	150 mm
Tank dimensions:	Ø = 2000 mm x 2500 mm
Tank contents:	6,0 m ³
Space requirements:	5000 mm x 3700 mm
Weight:	approx. 2300 kg
Installation opening:	2200 mm x 2200 mm
Inlet height:	1900 mm
Inlet connection:	DN 300 PN 10
Pressure pipe connection:	DN 200 PN 10
Venting and air release:	DN 150 PN 10
Electrical connection:	According to requirement

Werkstoffe

Behälter:	S235JR (St37-2)
Pumpe:	EN-GJL-250 (GG 25)
Beschichtung / Korrosionsschutz:	2-K-Beschichtung auf Epoxidharzbasis, DB 601 grün

Scope of supply:

- One holding tank with three solids collecting chambers
- Three centrifugal pumps and motors according to type and operating location required
- Six pump gate valves
- Three STRATE non-return valves
- One Y-pipe DN 200
- Three pressure pipe gate valves DN 200
- Level measurement

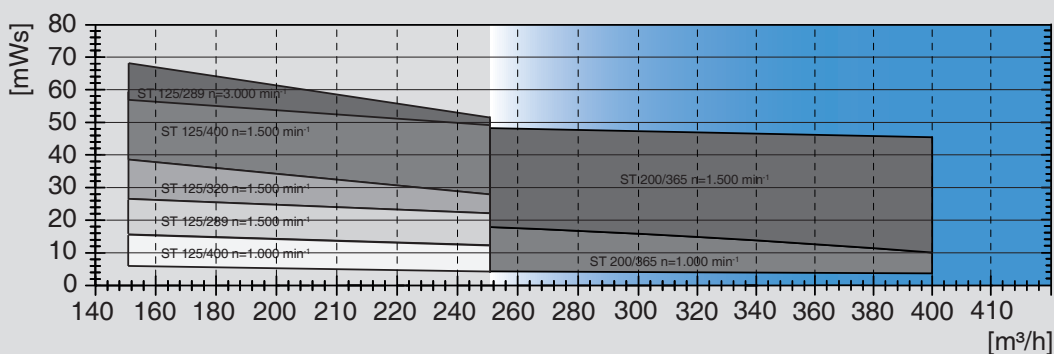
Accessories:

- Pump control
 - Inlet gate valve DN 300
 - Pipes incl. reducer and transition flanges within the building
 - Pig trap
 - Basement draining pump
 - Alarm and monitoring systems, see control technology
 - Inductive quantity measurement
 - Emergency power generator
 - STRATE venting systems
 - STRATE AWALIFT shaft
 - STRATE service building
 - STRATE assembly and maintenance
- Special accessories according to your requirements

Pumpenkennlinie

AWALIFT 6/3

Pumping heads up to 96 mWS are achieved by switching 2 pumps in series.



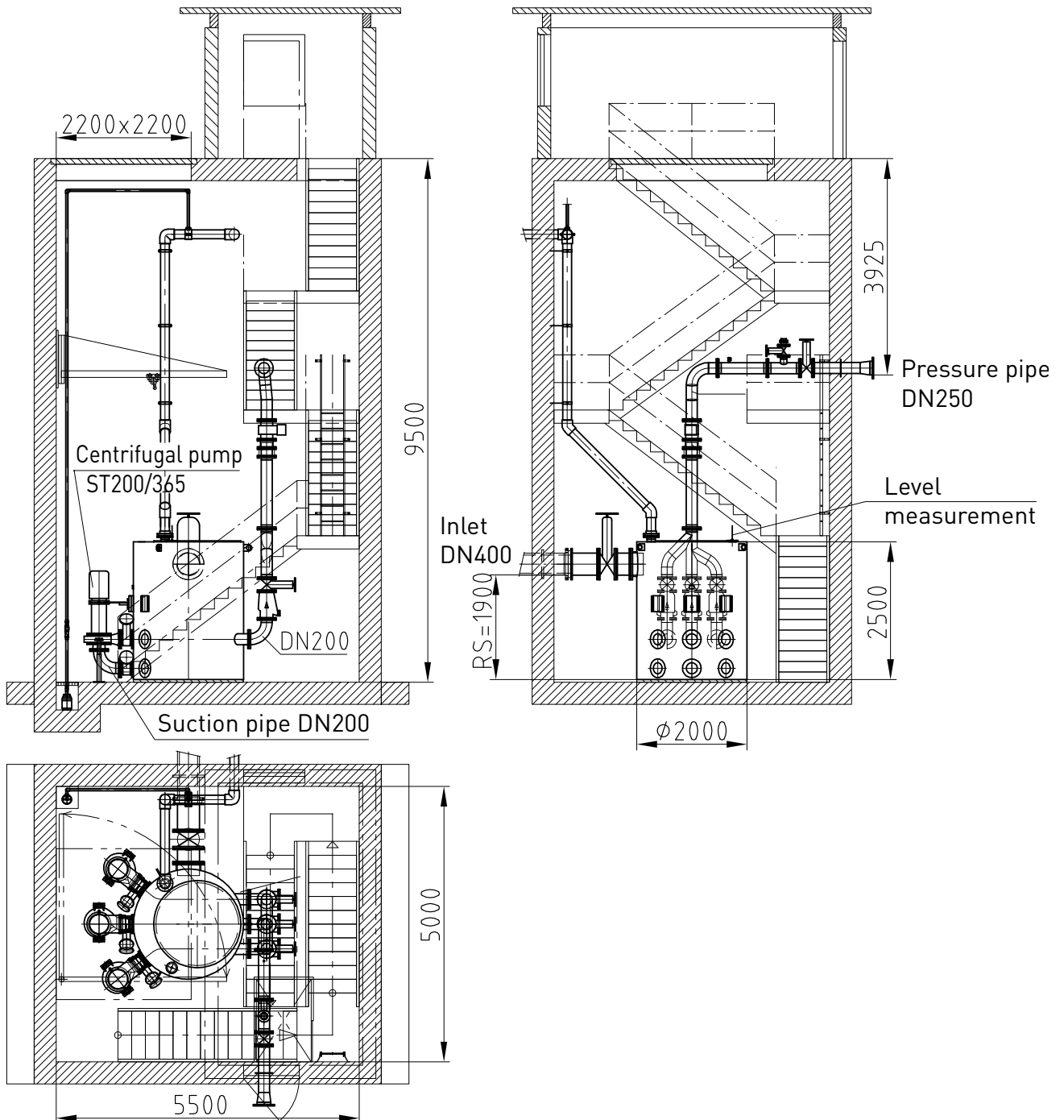
Other operating points on request.

Pumps which can be used
ST(M) 125/320,
ST 125/289,
ST 125/400,
ST 200/365.

The impellers are adapted to the specific operating point.

Subject to technical modifications and errors.

AWALIFT 6/3



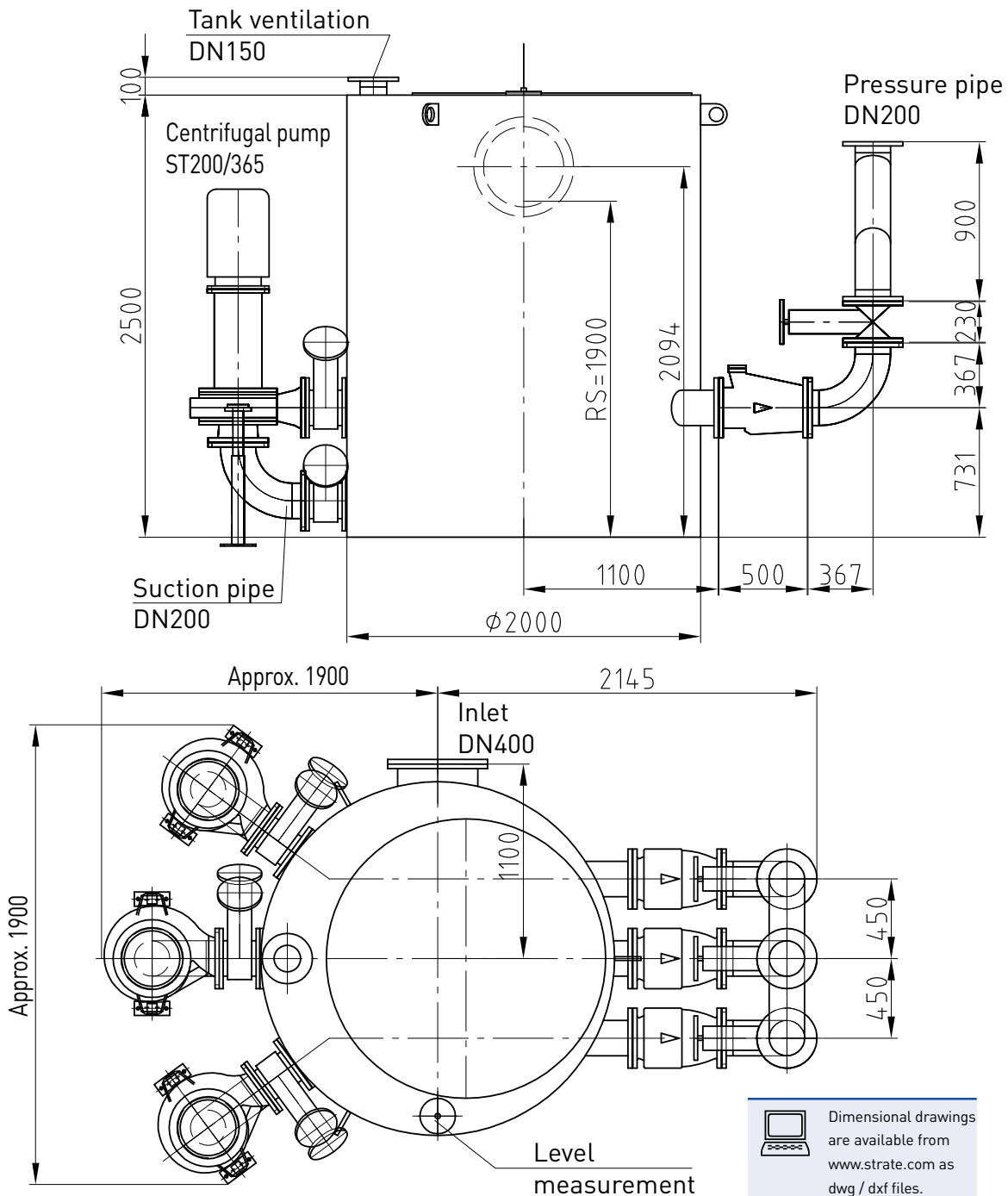
Copyright according to DIN 34

Scale:

Installation suggestion: AWALIFT 6/3

Subject to technical modifications and errors.

AWALIFT 6/3



Copyright according to DIN 34	Dimensional drawing: AWALIFT 6/3
Scale:	

Subject to technical modifications and errors.