

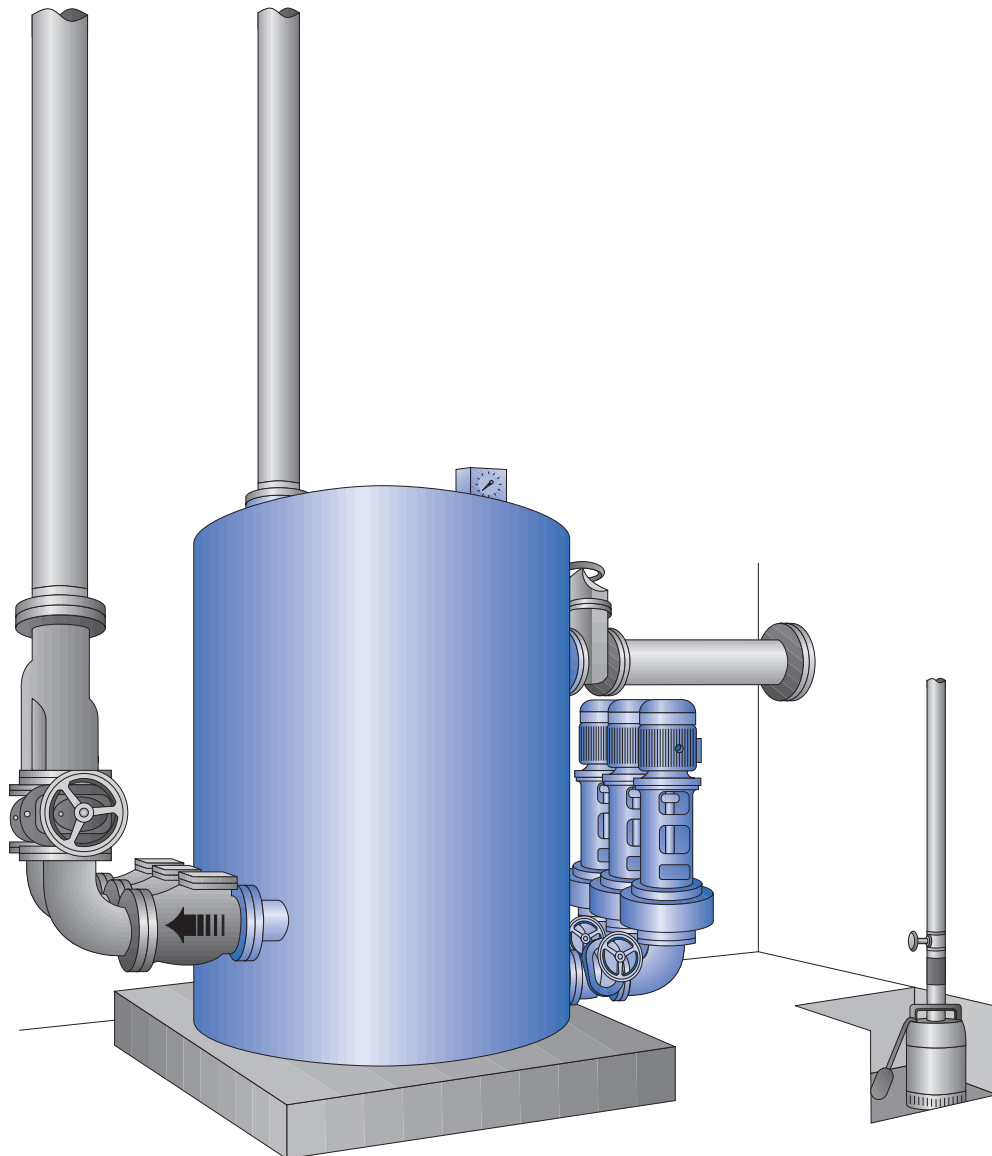
# AWALIFT 8/3

## The sewage pumping station with the STRATE system

### Area of use:

- Draining towns with up to about 18,600 residents which cannot be drained using natural gradient or as an intermediate pumping station within the context of a pressure drainage system
- Residential and industrial areas
- Towns
- communities
- Infrastructure facilities such as airports, industrial parks, subway systems etc.

up to  
**18600 PE**



# AWALIFT 8/3

## Technical data

<b>System capacity:</b>	400 m <sup>3</sup> /h raw sewage, 18,600 PE
<b>Pumping head:</b>	up to 40 mWS, AWALIFT 8/3x2 up to 80mWS
<b>Free passage:</b>	200 mm
<b>Tank dimensions:</b>	Ø = 2500 mm x 3000 mm
<b>Tank contents:</b>	11,0 m <sup>3</sup>
<b>Space requirements:</b>	5500 mm x 4000 mm
<b>Weight:</b>	approx. 3800 kg
<b>Installation opening:</b>	2800 mm x 2800 mm
<b>Inlet height:</b>	2300 mm
<b>Inlet connection:</b>	DN 400 PN 10
<b>Pressure pipe connection:</b>	DN 250 PN 10
<b>Venting and air release:</b>	DN 200 PN 10
<b>Electrical connection:</b>	According to requirement

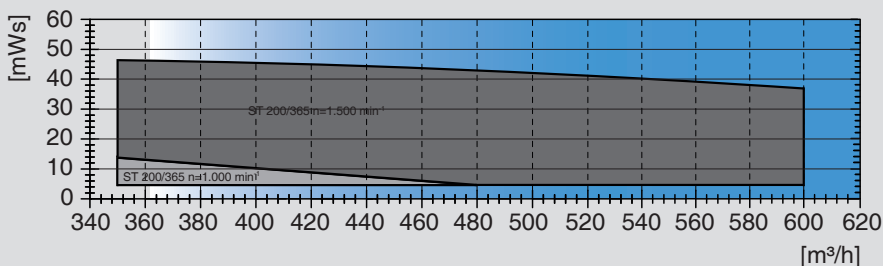
## Materials

<b>Tank:</b>	S235JR (St37-2)
<b>Pump:</b>	EN-GJL-250 (GG 25)
<b>Coating/corrosion protection:</b>	2-component coating on epoxy resin basis, DB 601 green

## Characteristic curve for pump

AWALIFT 8/3

Pumping heads up to 80 mWS are achieved by switching 2 pumps in series.



## Scope of supply:

- One holding tank with three solids collecting chambers
- Three centrifugal pumps and motors according to type and operating location required
- Six pump gate valves
- Three STRATE non-return valves
- One Y-pipe DN 250
- Three pressure pipe gate valves DN 250
- Level measurement

## Accessories:

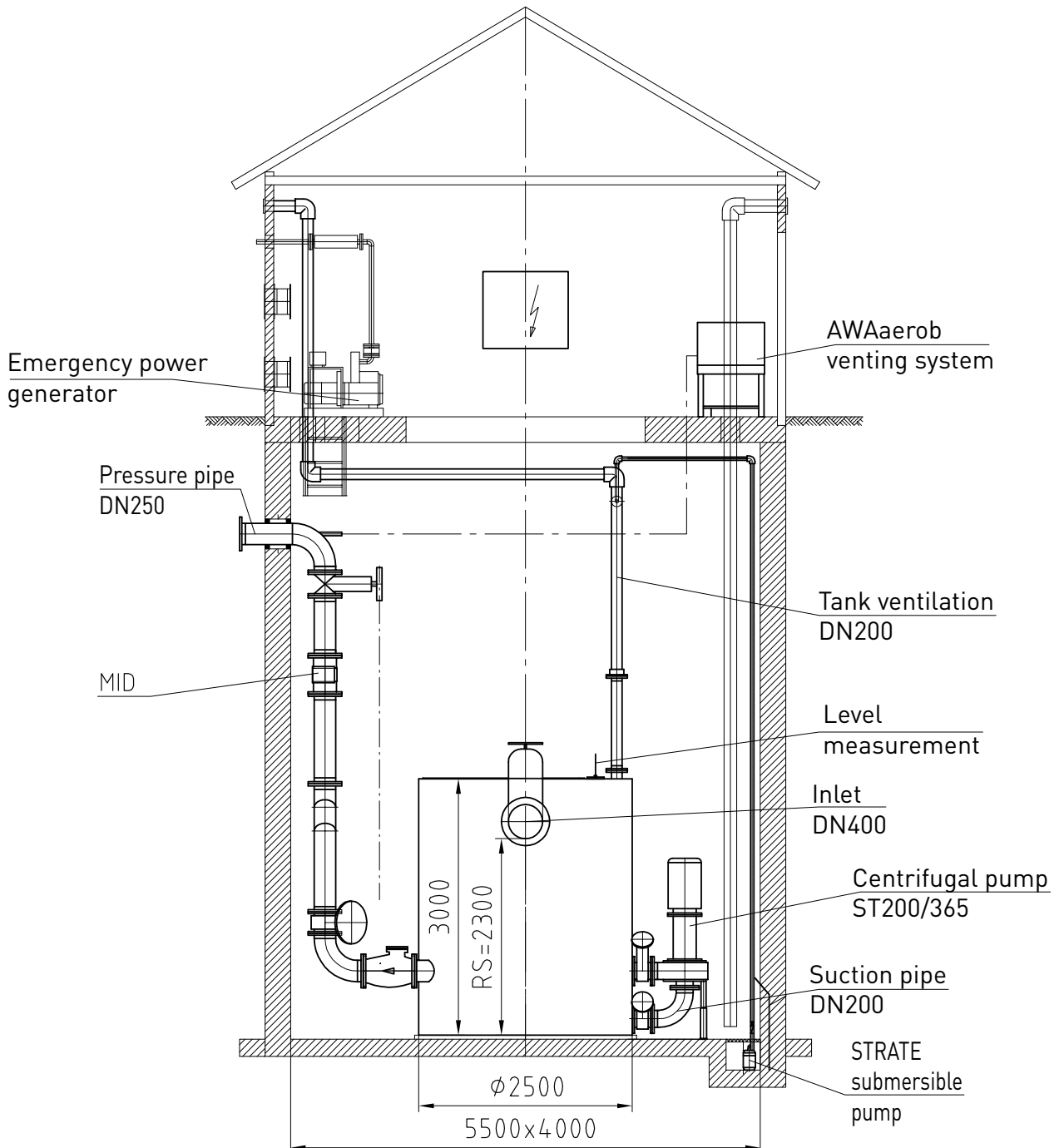
- Pump control
- Inlet gate valve DN 400
- Pipes incl. reducer and transition flanges within the building
- Pig trap
- Basement draining pump
- Alarm and monitoring systems, see control technology
- Inductive quantity measurement
- Emergency power generator
- STRATE venting systems
- STRATE AWALIFT shaft
- STRATE service building
- STRATE assembly and maintenance

Special accessories according to your requirements

Other operating points on request.  
Pumps which can be used ST 200/365.  
Impellers are adapted to the specific operating point.

Subject to technical modifications and errors.

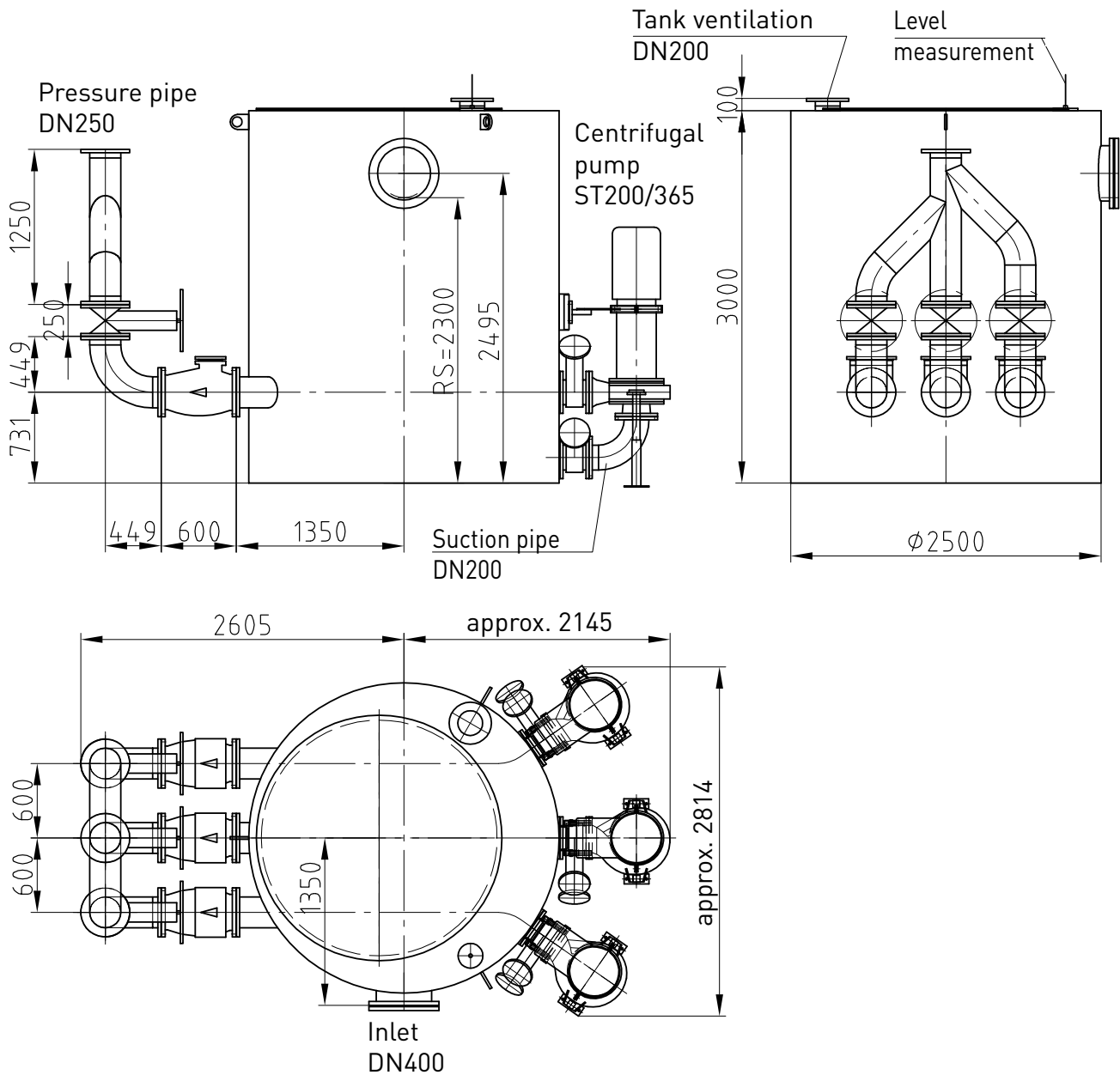
# AWALIFT 8/3



Copyright according to DIN 34	Installation suggestion: AWALIFT 8/3
Scale:	

Subject to technical modifications and errors.

# AWALIFT 8/3



Dimensional drawings are available from [www.strate.com](http://www.strate.com) as dwg/dxf files.

Copyright according to DIN 34	Dimensional drawing: AWALIFT 8/3
Scale:	

Subject to technical modifications and errors.