

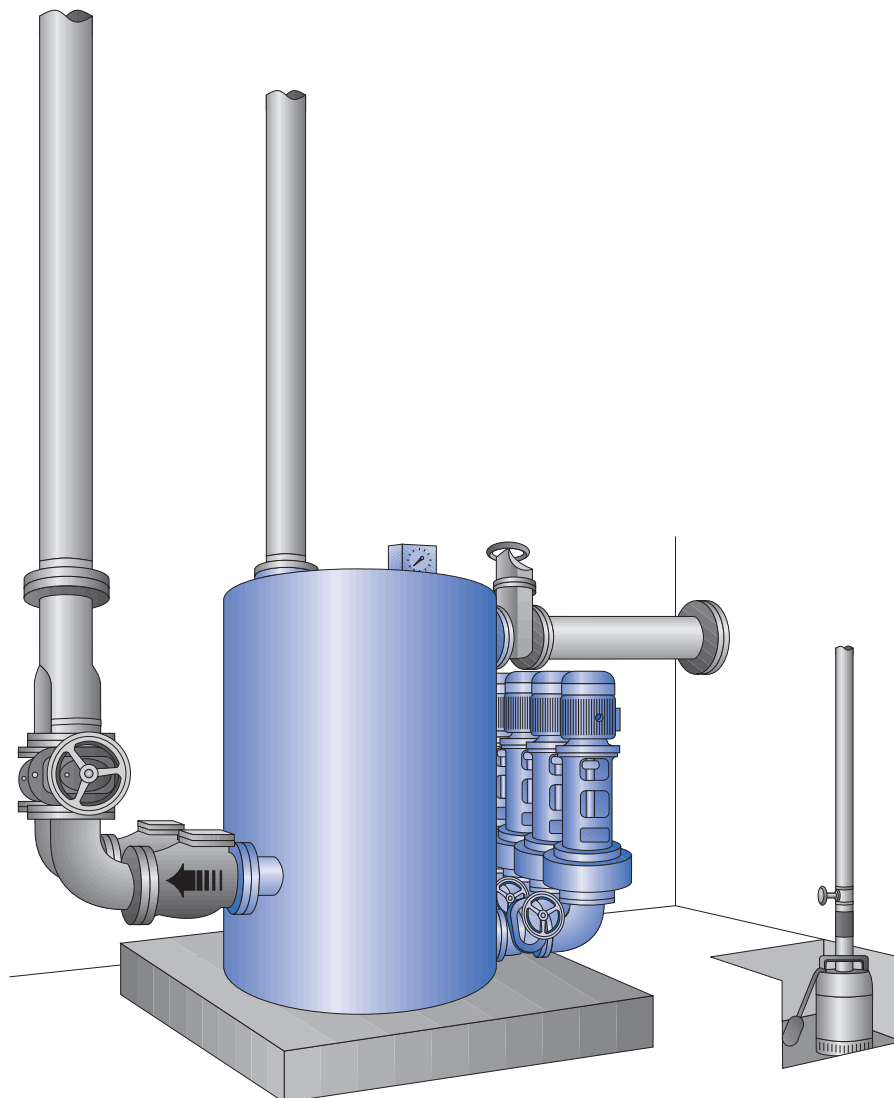
# AWALIFT 1/2x2

## The sewage pumping station with the STRATE system

### Area of use:

- Drainage of small towns with up to about 750 residents which cannot be drained using natural gradient.
- Drainage with larger pumping heads and longer pressure pipes
- As an intermediate pumping station within a pressure drainage system
- Residential and industrial areas
- Towns
- Communities
- Infrastructure facilities such as airports, industrial parks, underground stations etc.

up to  
**750 PE**



# AWALIFT 1/2x2

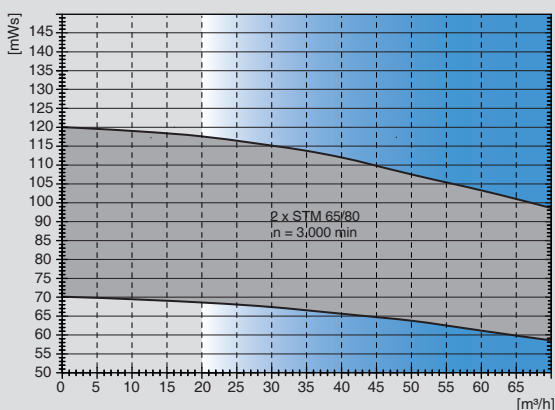
## Technical data

|                                  |   |
|----------------------------------|---|
| <b>System capacity:</b>          | 15 m <sup>3</sup> /h raw sewage, 750 PE |
| <b>Pumping head:</b>             | up to 120 mWS                           |
| <b>Free passage:</b>             | 100 mm                                  |
| <b>Tank dimensions:</b>          | Ø = 1000 mm, H = 1250 mm                |
| <b>Tank contents:</b>            | 0,785 m <sup>3</sup>                    |
| <b>Space requirements:</b>       | 2500 mm x 3000 mm                       |
| <b>Weight:</b>                   | approx. 650 kg                          |
| <b>Installation opening:</b>     | 1200 mm x 1400 mm                       |
| <b>Inlet height:</b>             | 1000 mm                                 |
| <b>Inlet connection:</b>         | DN 200                                  |
| <b>Pressure pipe connection:</b> | DN 100                                  |
| <b>Venting and air release:</b>  | DN 65                                   |
| <b>Electrical connection:</b>    | According to requirement                |

## Materials

|                                      |   |
|--------------------------------------|---|
| <b>Tank:</b>                         | S235JR (St37-2)   |
| <b>Pump:</b>                         | EN-GJL-250 (GG25),<br>EN-GJL-400-15 (GGG40)               |
| <b>Coating/corrosion protection:</b> | 2-component coating on epoxy resin basis,<br>DB 601 green |

## Characteristic curve for pump



Other operating points  
on request.

Pumps which can be  
used  
STM 65/80, ST 65/80.  
The impellers are  
adapted to the specific  
operating point.

Subject to technical modifications and errors.

## Scope of supply:

- The tank with two solids collecting chambers
- Four centrifugal pumps ST (M)65/80, motors according to type and operating location required
- Four pump gate valves
- One Y-pipe
- Two STRATE non-return valves
- Two gate valves
- Level measurement

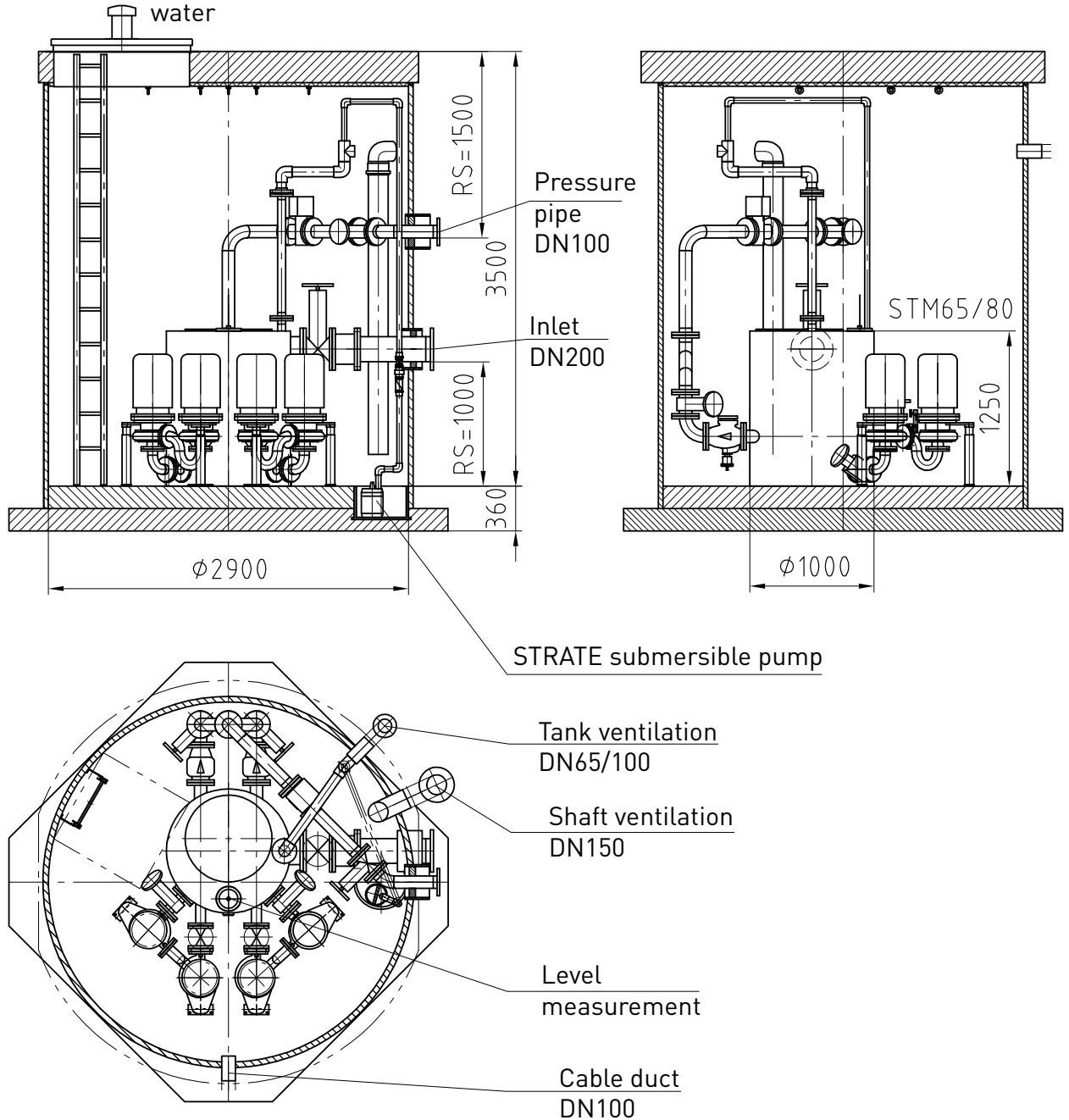
## Accessories:

- Pump control
- Pipes incl. reducer and transition flanges within the building
- Alarm and monitoring systems, see control technology
- Inductive quantity measurement
- Emergency power generator
- STRATE venting systems for the pressure pipe
- STRATE AWALIFT shaft
- STRATE service building
- STRATE assembly and maintenance
- STRATE venting and air release valves
- Energy supply company service connection

Special accessories according to  
your requirements

# AWALIFT 1/2x2

Shaft cover 800x800 can be walked on, resistant to surface water



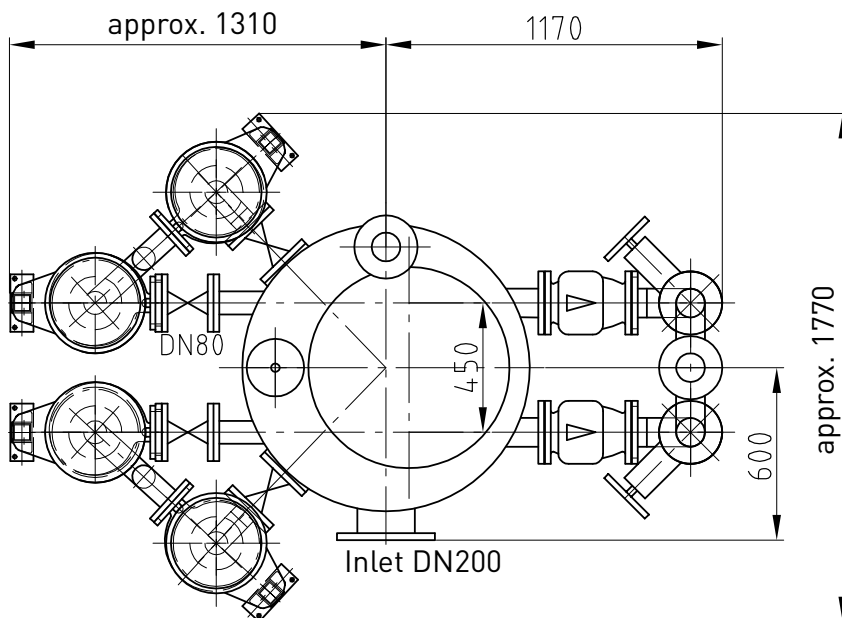
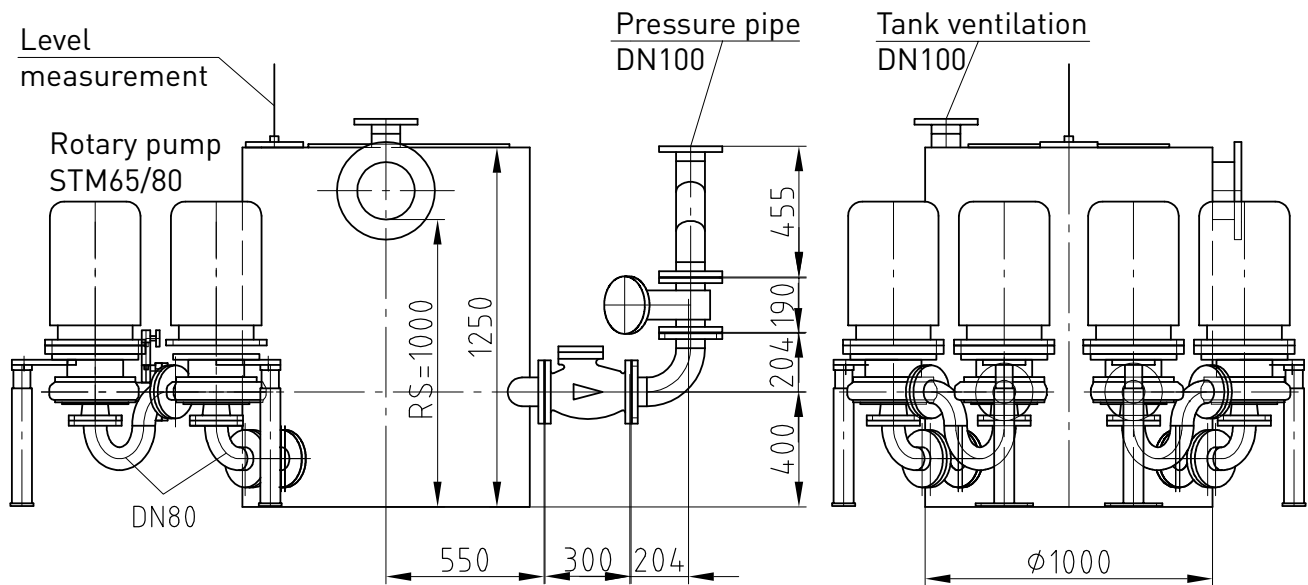
Copyright according to DIN 34

Scale:

Installation suggestion: AWALIFT 1/2x2  
in the AWALIFTSCHACHT 2900

Subject to technical modifications and errors.

# AWALIFT 1/2x2



Dimensional drawings are available from [www.strate.com](http://www.strate.com) as dwg/dxf files.

|                               |                                    |
|-------------------------------|------------------------------------|
| Copyright according to DIN 34 | Dimensional drawing: AWALIFT 1/2x2 |
| Scale:                        |                                    |

Subject to technical modifications and errors.