

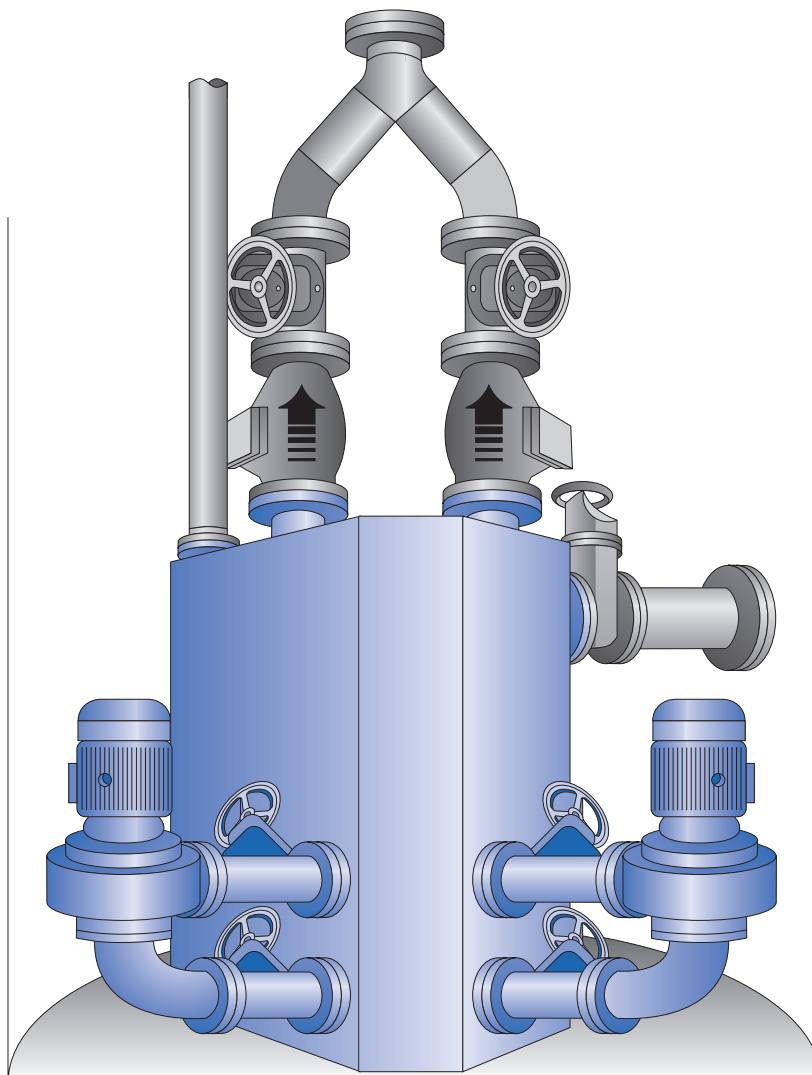
AWALIFT 1/2 penta

The sewage pumping station with the STRATE system

Area of use:

- Large system capacity despite small space requirements:
 - The system is set up directly at the shaft wall
 - This makes a small shaft diameter possible
- Larger buildings, industrial companies, individual streets
- Facilities that cannot be drained using natural gradient
- As protection from backwater damage
- Infrastructure facilities such as airports, industrial parks, underground stations etc.

up to
1000 PE



AWALIFT 1/2 penta

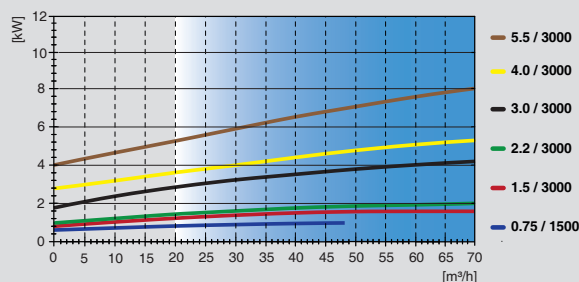
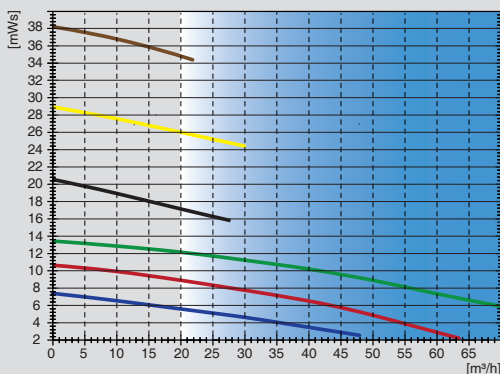
Technical data

System capacity:	20 m ³ /h - approx. 1000 PE
Pumping head:	up to approx. 70 mWS
Free passage:	100 mm
Tank dimensions:	R = 890 mm, H = 1250 mm
Tank contents:	0,65 m ³
Space requirements:	Ø 2000 mm
Weight:	approx. 525 kg
Installation opening:	1500 mm x 1200 mm
Inlet height:	1000 mm
Inlet connection:	Flange DN 200
Pressure pipe connection:	Flange DN 100 PN 10
Venting and air release:	DN 65 or DN 70

Werkstoffe

Tank:	S235JR (St37-2)
Pump:	EN-GJL-250 (GG25), EN-GJL-400-15 (GGG40)
Coating/corrosion protection:	2-component coating on epoxy resin basis, DB 601 green
Electrical connection:	230/400V, 50 Hz, 400/690V, 50 Hz
Motor capacity:	IP 67 1,50 kW, 2,20 kW, 3,00 kW – 1500 min ⁻¹ IP 67 3,00 kW – 3000 min ⁻¹ IP 55 4,0 kW, 5,5 kW, 7,5 kW, 11,0 kW, 15,0 kW, 18,5 kW – 3000 min ⁻¹

Characteristic curve for pump



Other operating points on request.

Pumps from the series STM 65/80 that can be used.

The impellers are adapted to the specific operating point.

Scope of supply:

- One tank with two solids collecting chambers
- Two centrifugal pumps and motors according to type and operating location required
- Four pump gate valves
- Two non-return valves AWASTOP DN 100 K
- Y-pipe DN 100
- Two pressure pipe gate valves DN 100
- Level measurement

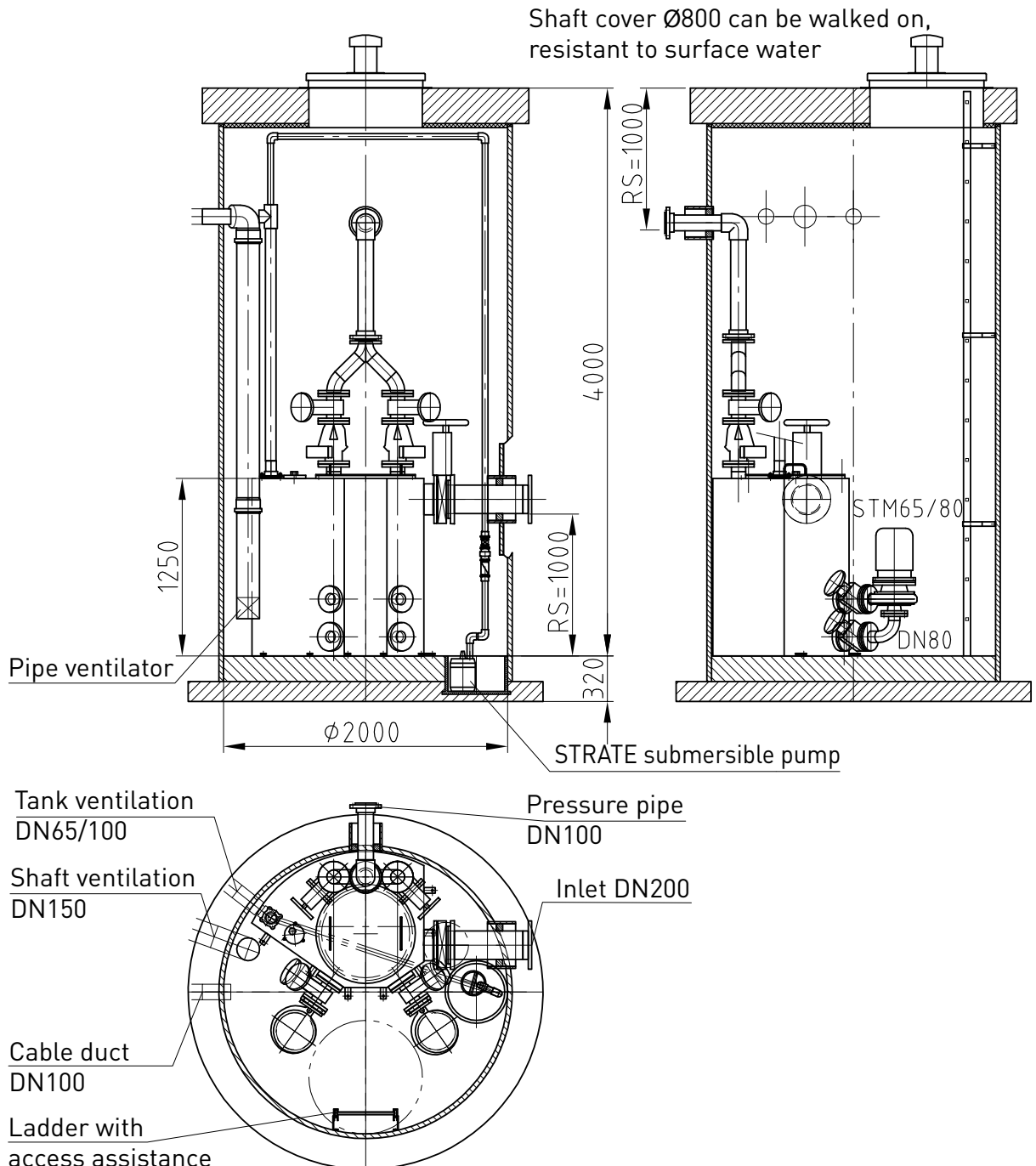
Zubehör:

- Pump control
- Pipe incl. reducer and transition flanges within the building
- Alarm and monitoring systems, see control technology
- Inductive quantity measurement
- Emergency power generators
- STRATE venting systems for the pressure pipe
- STRATE AWALIFT shaft
- STRATE service building
- STRATE assembly and maintenance
- STRATE venting and air release valves
- Energy supply company service connection

Special accessories according to your requirements.

Subject to technical modifications and errors.

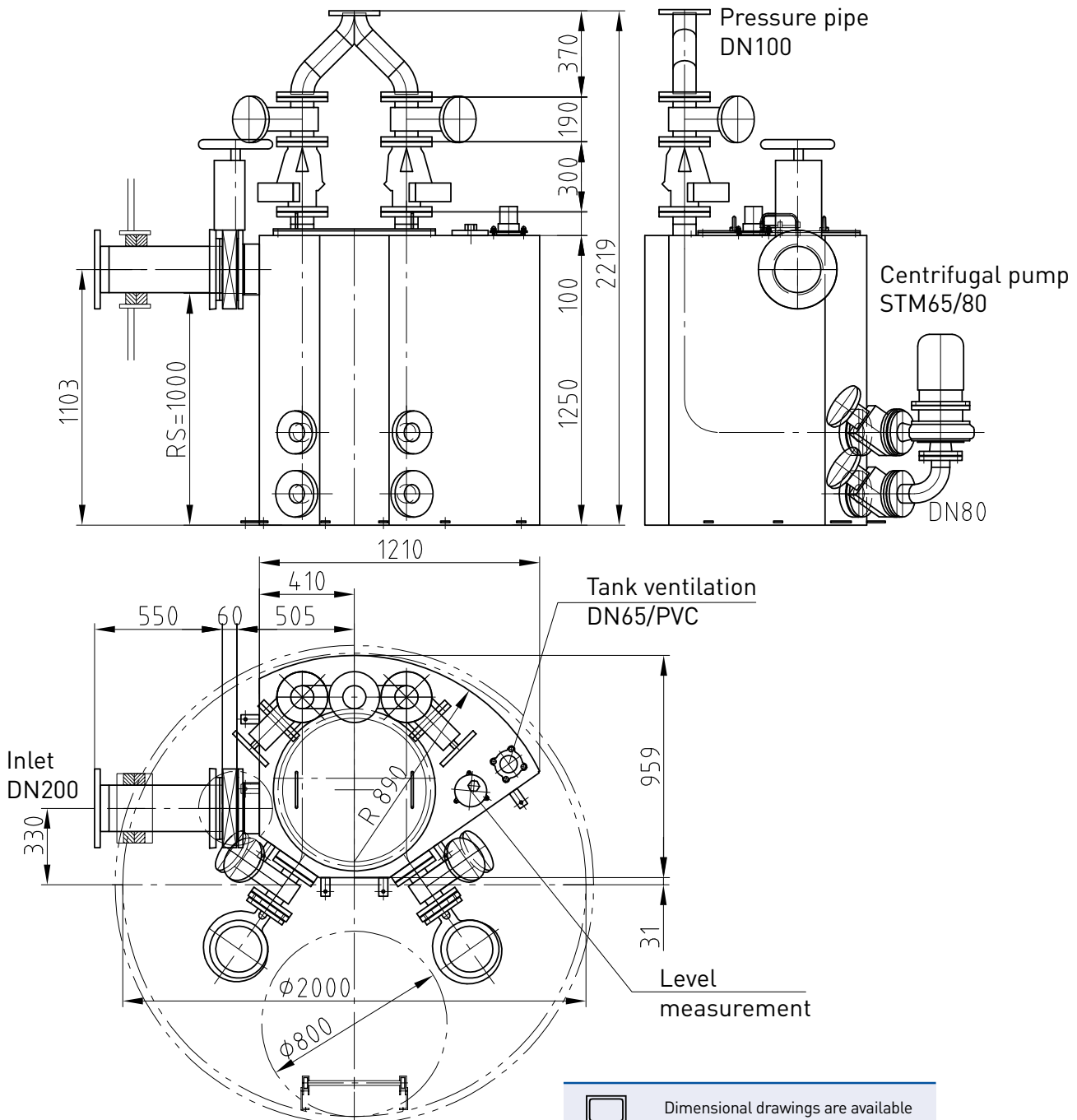
AWALIFT 1/2 penta



Copyright according to DIN 34	Installation suggestion: AWALIFT 1/2 penta in the AWALIFTSCHACHT 2000, pre-assembled ready for operation
Scale:	

Subject to technical modifications and errors.

AWALIFT 1/2 penta



Copyright according to DIN 34	Dimensional drawing: AWALIFT 1/2 penta
Scale:	

Subject to technical modifications and errors.