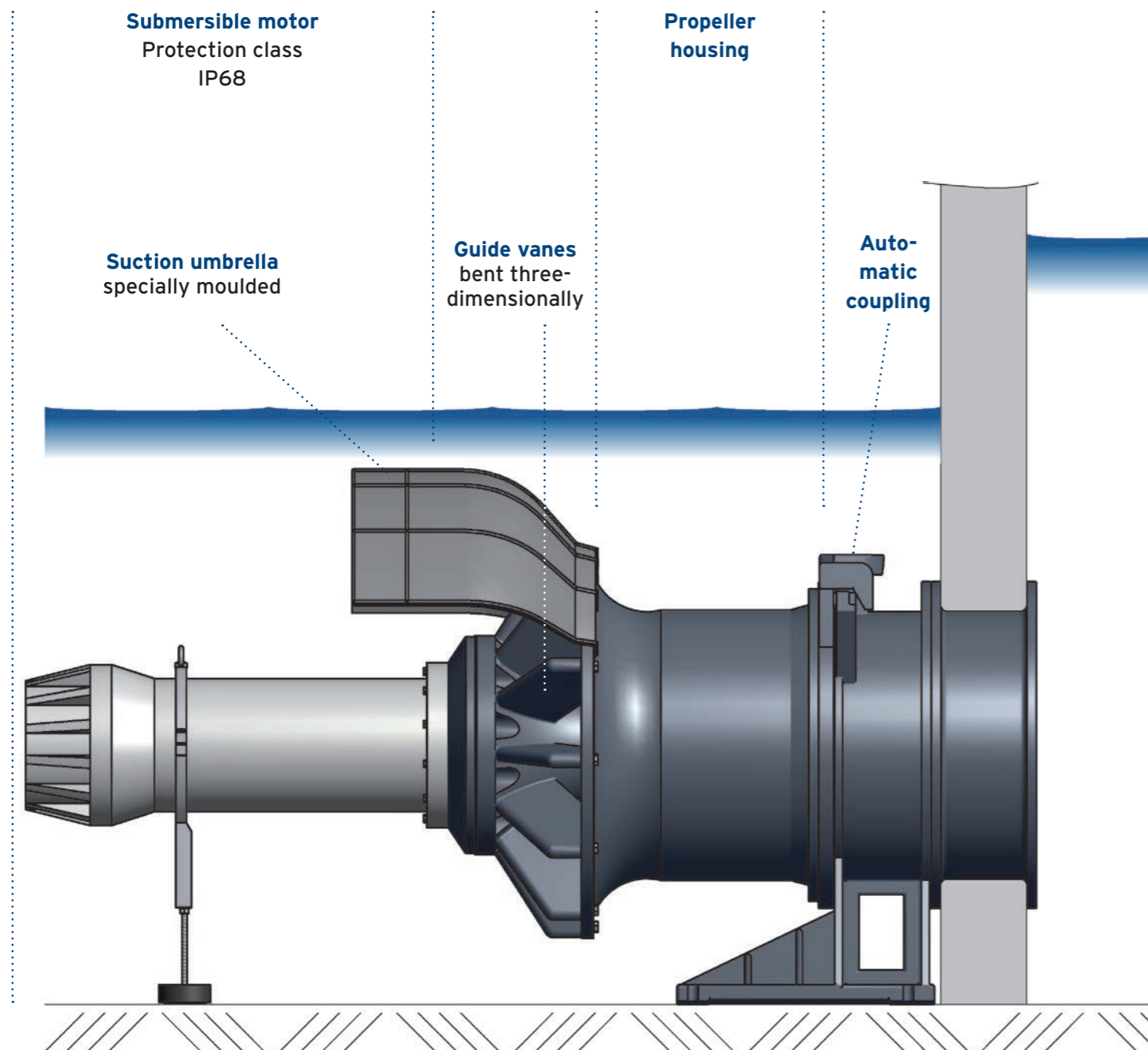


## 2.05 HUP Horizontal submersible motor propeller pump



Horizontal submersible motor propeller pump - HUP 600

### With no deflection losses

This single-stage horizontal underwater pump has an automatic coupling to the discharge pipe. It can be mounted and dismantled while the pump chamber is flooded. The pump is guided here on a special rod.

Due to the horizontal orientation of the pump, the pumping medium flows in the discharge pipe without being deflected by the pump. The motor is installed on the suction side so the motor cables lie in the quiet body of water and are not mechanically stressed by turbulent flows.

This type of pump is suitable for the conveyance of pure or pre-treated, predominantly chemically-neutral fluids at temperatures of up to 60°C and is used typically in pumping stations for irrigation and drainage, for precipitation and combined sewer overflow, for recirculation, in flood protection systems and inland drainage as well as in industrial water supply systems.

### Characteristics

- > The pump is driven by a submerged three-phase asynchronous motor (Protection Class IP68)
- > The propeller is arranged on the shaft of the motor and overhung
- > The pump is installed horizontally and couples automatically with the discharge pipe
- > The angles of the blades are pre-set, but can be changed manually
- > The desired delivery head is determined by the number of propeller blades (3-6)
- > The blade geometry is fibre-repellent and self-cleaning
- > The active components of the motor are seated in permanently-lubricated, generously dimensioned roller bearings that have a long service life
- > There are two mechanical sealings integrated in the motor housing that reliably prevent any pumping media from penetrating the motor

### Technical data

**HUP**  
Horizontal submersible motor propeller pump

**Hydraulic type**  
axial

**Size DN (mm)**  
250 - 1,200

**Delivery head (m)**  
1 - 10

**Capacity (l/s)**  
200 - 4,500

**Motor power (kW)**  
7.5 - 600

**Pump extractable**  
yes

**Reverse running mode**  
optional  
yes

**Orientation of the pump shaft**  
horizontal

**Driving motor**  
submersible motor

**Installation of the motor**  
submerged

**Shaft guide bearing**  
none

**Particularly suitable applications**

