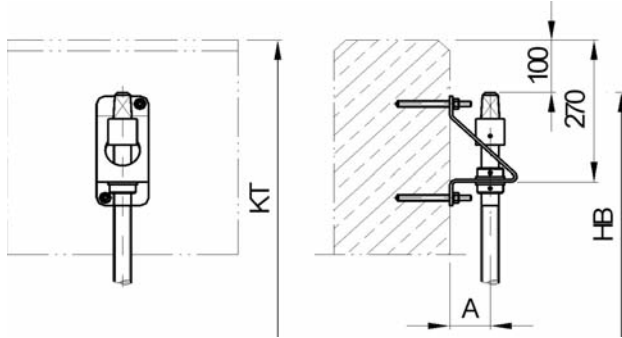


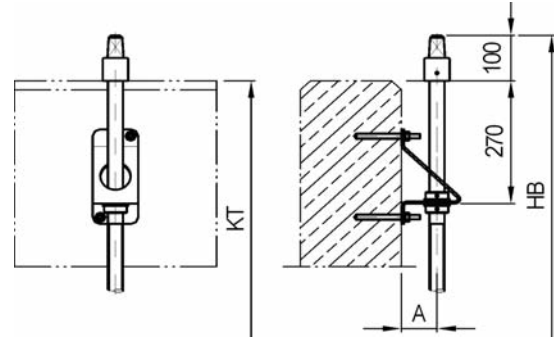
15. WIEROM Drives

15.1 Drives inside the shaft – AS

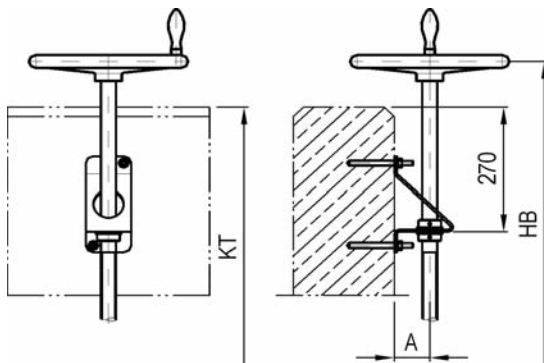
15.1.1 AS 1 – Square drive inside the shaft



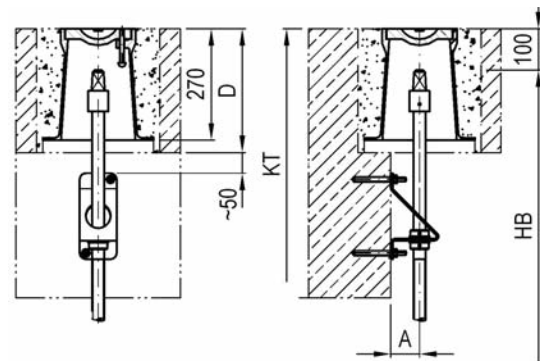
15.1.2 AS 2 – Square drive on wall crown



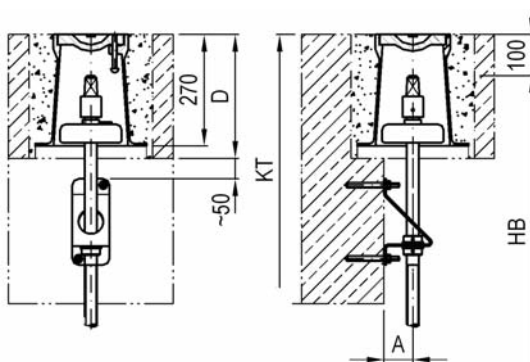
15.1.3 AS 3 – Handwheel on wall crown



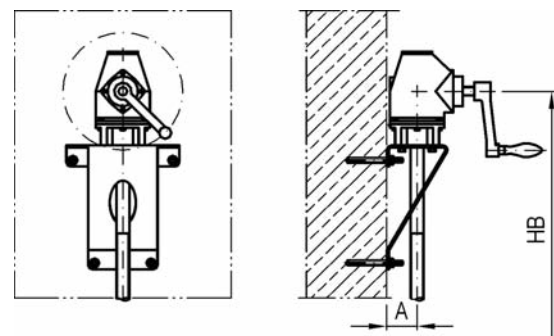
15.1.4 AS 4 – Square drive in street cap



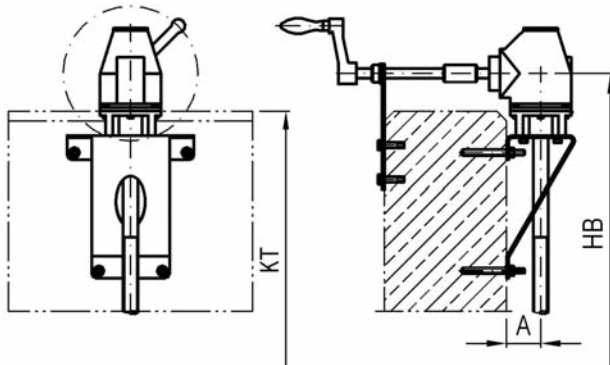
15.1.5 AS 5 – Square drive in street cap with mechanical position indicator



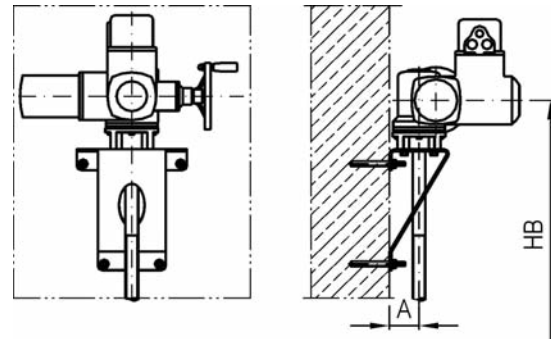
15.1.6 AS 6 – Bevel gear inside the shaft



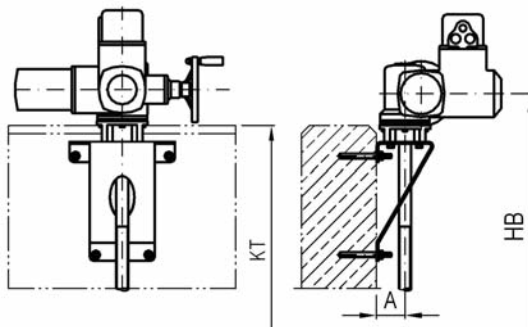
15.1.7 AS 7 – Bevel gear on wall crown



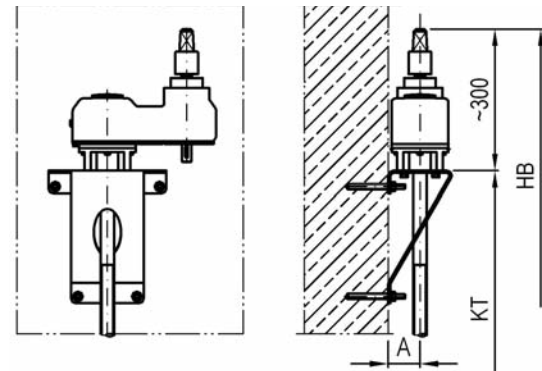
15.1.8 AS 8 – Electric drive inside the shaft



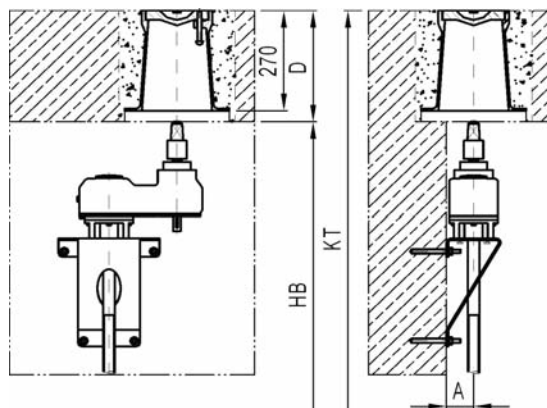
15.1.9 AS 9 – Electric drive on wall crown



15.1.10 AS 10 – Spur gear transmission inside the shaft



15.1.11 AS 11 – Spur gear transmission under street cap

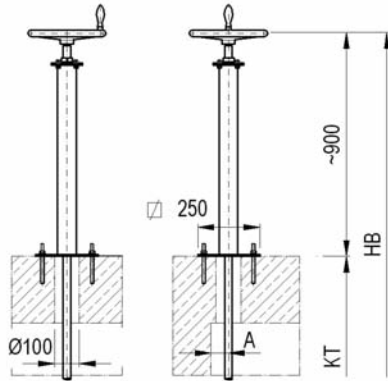


15.1.12 AS 12 – Other drive systems available on request

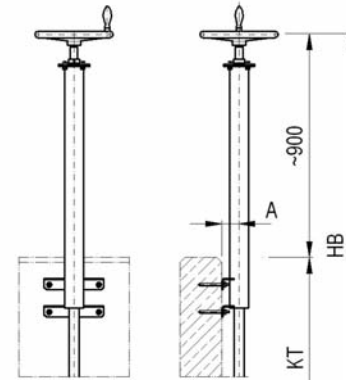
WIEROM Drives

15.2 Floor pedestal drive systems – AF

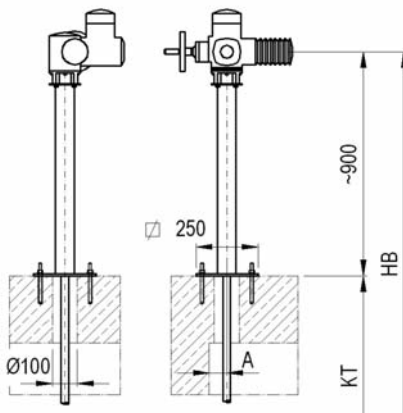
15.2.1 AF 1 – Floor pedestal on covering with handwheel



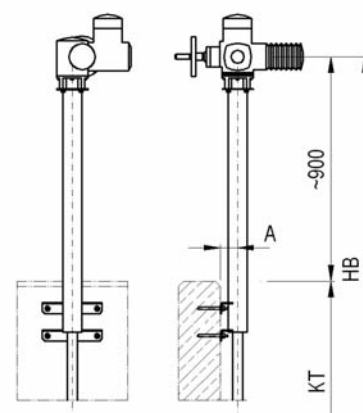
15.2.2 AF 2 – Floor pedestal with handwheel in shaft



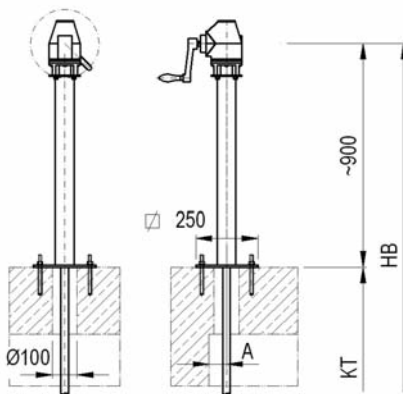
15.2.3 AF 3 – Floor pedestal on covering with electric drive



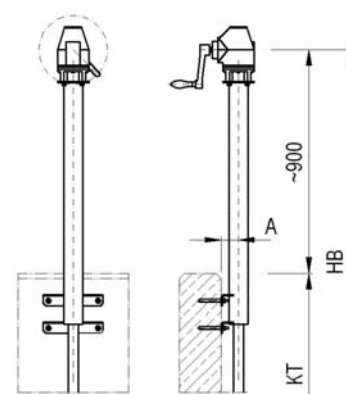
15.2.4 AF 4 – Floor pedestal with electric drive in shaft



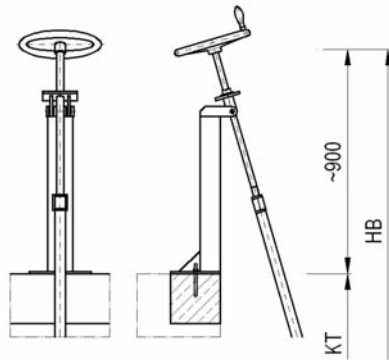
15.2.5 AF 5 – Floor pedestal on covering with bevel gear



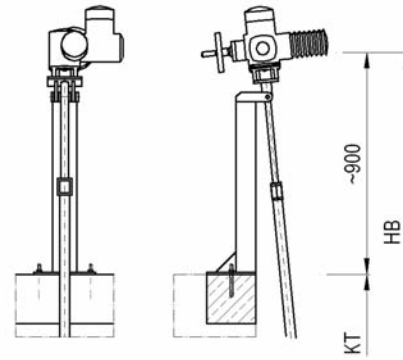
15.2.6 AF 6 – Floor pedestal with bevel gear in shaft



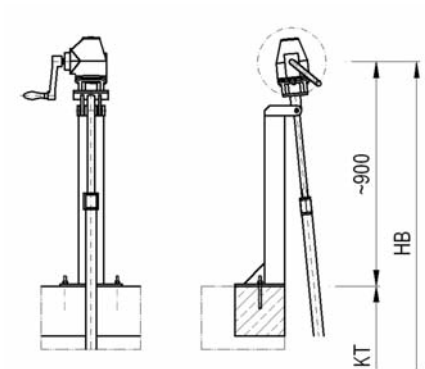
15.2.7 AF 7 – Floor pedestal for free overfall weir on covering with handwheel



15.2.8 AF 8 – Floor pedestal for free overfall weir on covering with electric drive



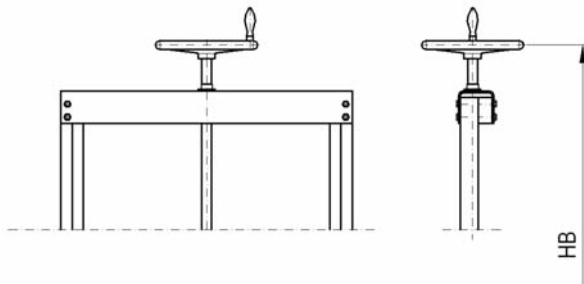
15.2.9 AF 9 – Floor pedestal for free overfall weir on covering with bevel gear



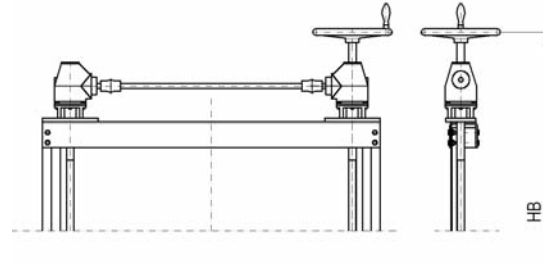
WIEROM Drives

15.3 Crosshead drives – AT

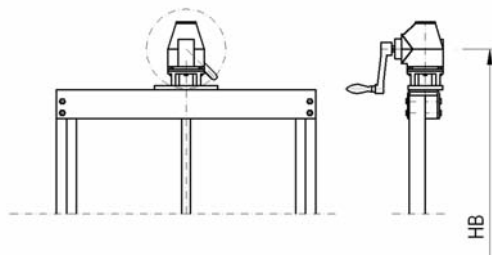
15.3.1 AT 1 – Crosshead with handwheel



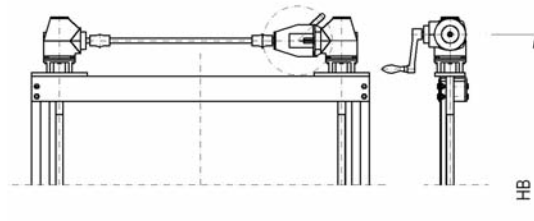
15.3.2 AT 2 – Crosshead with 2 angular gears and handwheel



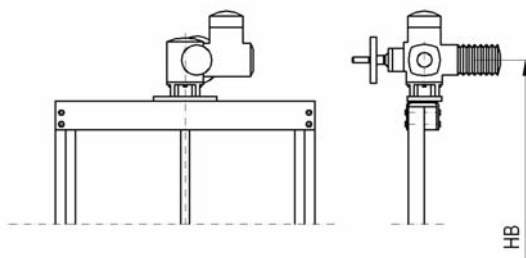
15.3.3 AT 3 – Crosshead with angular gear and crank handle



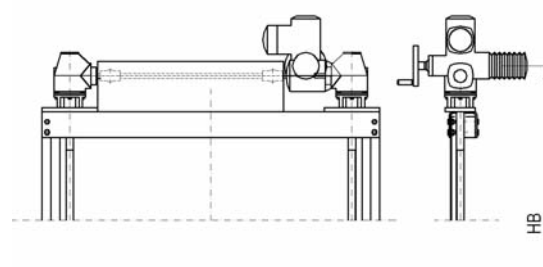
15.3.4 AT 4 – Crosshead with 3 angular gears and crank handle



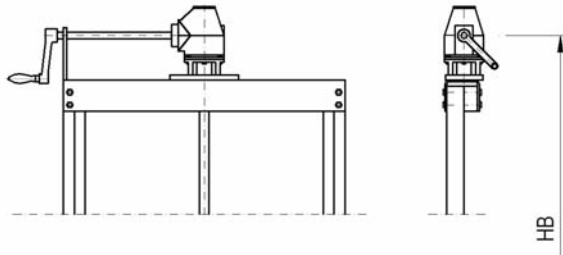
15.3.5 AT 5 – Crosshead with electric drive



15.3.6 AT 6 – Crosshead with 2 angular gears and electric drive



15.3.7 AT 7 – Crosshead with angular gear and lateral crank handle



15.3.8 AT 8 – Crosshead with pneumatic or hydraulic cylinder

